

LAN

FAX MODEM

- * WIDELY USED IN NOTE BOOK
- * HIGH RELIABILITY
- * HIGH DURABILITY
- * INTEGRATED THERMOPLASTIC INSULATOR
- * GOLD PLATING CONTACT

INSULATOR

THERMOPLASTIC (LCP UL94V-0 GLASS-FILLED)

CONTACT

PHOSPHOR BRONZE

METAL SHELL

PHOSPHOR BRONZE

LATCH

SK7

POLARIZING KEY

LCP , UL94V-0

ELECTRICAL CHARACTERISTICS :

- * LOW LEVEL CONTACT RESISTANCE : 45 mΩ MAX.
- * DIELECTRIC WITHSTANDING VOLTAGE : 1200 VAC MIN.
- * INSULATION RESISTANCE : 1000 MΩ MIN.
- * CONTACT CURRENT RATING : 1 Ampere

MECHANICAL CHARACTERISTICS :

- * CONNECTOR MATING FORCE : 6.6 lbs MIN.
- * CONNECTOR UNMATING FORCE : 1.0 lbs MIN.
- * DURABILITY : 10000 CYCLE
- * OPERATING TEMPERATURE : -20°C TO +60°C OFFICE
-40°C TO +70°C STORAGE

Q P 7 3 15 D - H N N 0

TERMINATOR TYPE

7 = TOP MOUNT IN LINE

KEY CODE

4 = V001, no#13

I/O CONNECTOR TYPE

3 = RECEPTACLE (SHIELDED)

COLOR CODE

1 = GRAY
3 = BLACK

NO. OF CONTACT POSITION

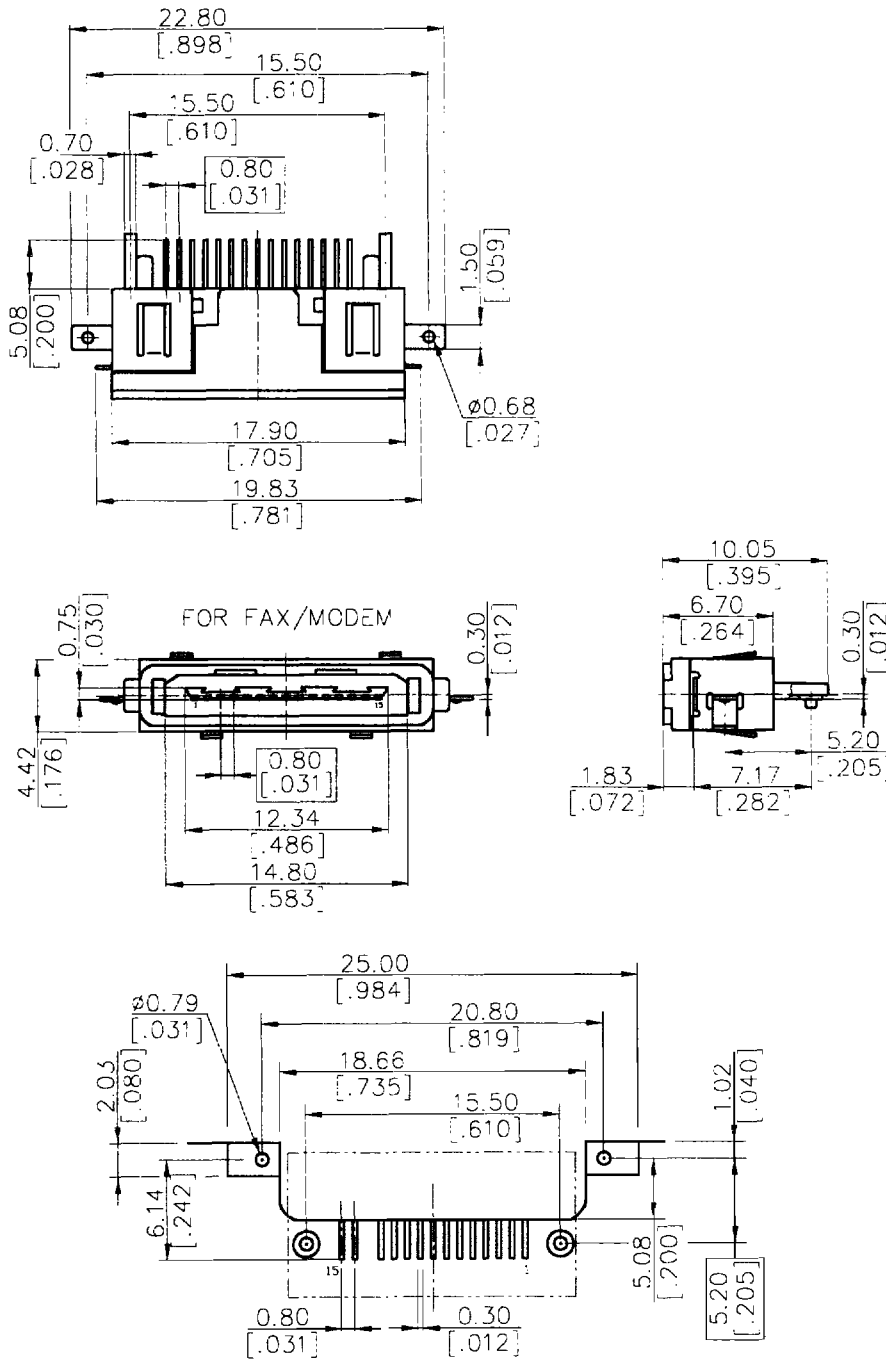
15 = 15 POS

DESIGN TYPE

H = 0.8mm PITCH
(0.3mm OFFSET)

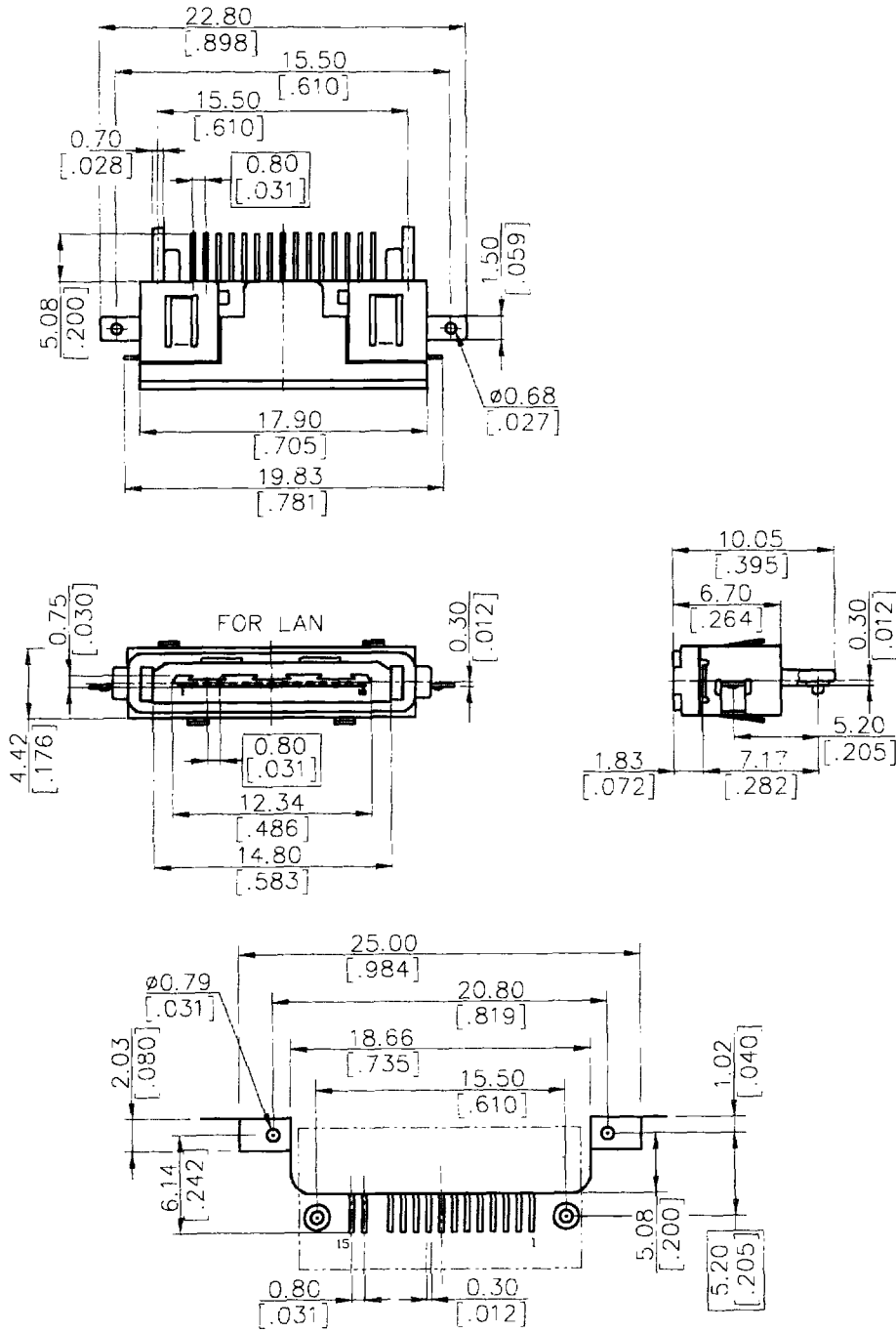
GOLD PLATING

D = 40u" Pd/Ni + GOLD FLASH



RECOMMENDED P.C.B. LAYOUT
(TOP VIEW)

| | |
|-----------|--------------|
| PROD. NO. | QP7315D-H340 |
|-----------|--------------|



RECOMMENDED P.C.B. LAYOUT
(TOP VIEW)

| | |
|-------------------------|----------------------------|
| <p>PROD. NO.</p> | <p>QP7315D-H1A0</p> |
|-------------------------|----------------------------|