

**PCB side fine-wire coaxial cable
LVC-D20SFYG3(TP).**

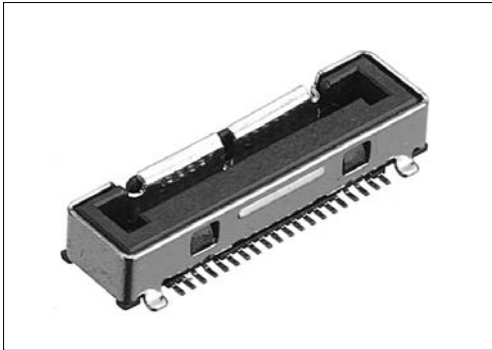
Fine-wire coaxial cable

For LCD

0.5 mm pitch

PCB sides

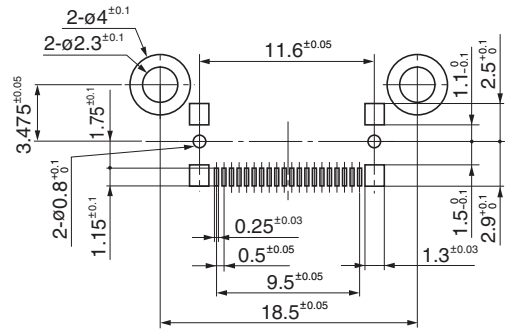
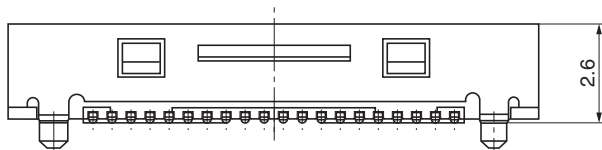
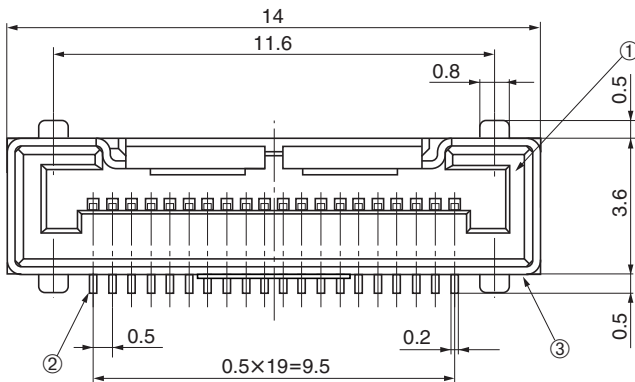
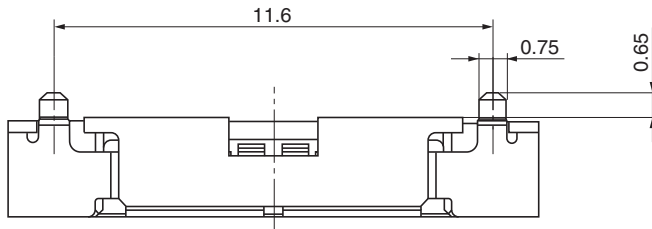
RoHS



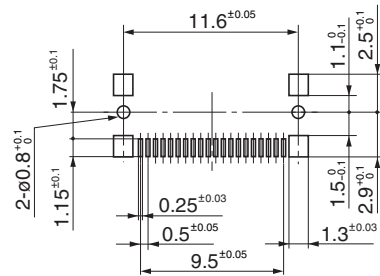
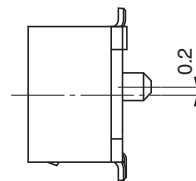
● Configuration of product Part No.
LVC- D 20 SFY G3 (TP).

① ② ③ ④ ⑤

- ① Series name
- ② No. of contacts: 20
- ③ Type of contact
SFY: Straight SMT type, female
- ④ Contact plating
G: Gold plate
- ⑤ Taping package
TP: With embossed tape and reel (1R=2,500 pcs)



**Recommended PCB layout
Mating connector: LVC-C20LPMSG+**



**Recommended PCB layout
Mating connector: LVC-D20LPMSG+**

● Components

①	Insulator
②	Contacts
③	Shell

Mating connector: LVC-C20LPMSG+

LVC-D20LPMSG+