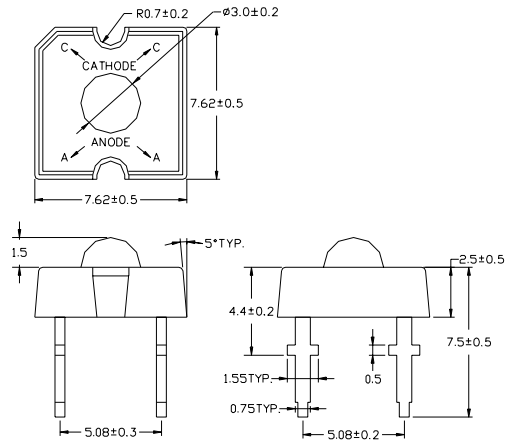
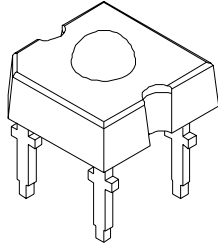


**SUPER FLUX LED – P4, Wide Angle, TS RED**

DATA SHEET 3530 REV 1.2.



**Absolute Maximum Rating: (T<sub>a</sub> = 25°C)**

Symbol	Description	Max	Unit
P <sub>D</sub>	Power dissipation	140	mW
V <sub>R</sub>	Reverse voltage	5	V
I <sub>F</sub>	Forward current	70	mA
Topr	Operating temperature range	-30°C to 100°C	
Tstg	Storage temperature range	-35°C to 100°C	
Lead soldering temperature ≤ 260°C for 3 seconds			

**Electro-optical Characteristic: (T<sub>a</sub> = 25°C)**

Part No.	Chip		Wave-length nm	IF (Forward Current) mA	Vf (volt) @ 20mA Typ.	Iv (mcd) @ 20mA Typ.	Φ <sub>v</sub> (mlm) at IF Typ.	Viewing Angle 2θ <sub>1/2</sub> Degree
	Material	Color						
LTP407-RTC-2	GaAlInP	Red	626	70	2.4	1500	5000	70

**Features**

- TS chip, high current operation and high flux output
- Low thermal resistance and low profile
- Wide viewing angle

**Description**

The P4 (piranha type) is a clear lensed 7.6mm x 7.6mm square four-leaded package. This low profile design improves power dissipation and allows higher operating currents. Ideal applications for this product include emergency lighting, channel letters, interior/exterior automotive and truck lighting, strip lighting, outdoor signage and general illumination.

# **SENSITRON**

---

## **SEMICONDUCTOR**

**DISCLAIMER:**

1- The information given herein, including the specifications and dimensions, is subject to change without prior notice to improve product characteristics. Before ordering, purchasers are advised to contact the Sensitron Semiconductor sales department for the latest version of the datasheet(s).

2- In cases where extremely high reliability is required (such as use in nuclear power control, aerospace and aviation, traffic equipment, medical equipment, and safety equipment), safety should be ensured by using semiconductor devices that feature assured safety or by means of users' fail-safe precautions or other arrangement.

3- In no event shall Sensitron Semiconductor be liable for any damages that may result from an accident or any other cause during operation of the user's units according to the datasheet(s). Sensitron Semiconductor assumes no responsibility for any intellectual property claims or any other problems that may result from applications of information, products or circuits described in the datasheets.

4- In no event shall Sensitron Semiconductor be liable for any failure in a semiconductor device or any secondary damage resulting from use at a value exceeding the absolute maximum rating.

5- No license is granted by the datasheet(s) under any patents or other rights of any third party or Sensitron Semiconductor.

6- The datasheet(s) may not be reproduced or duplicated, in any form, in whole or part, without the expressed written permission of Sensitron Semiconductor.

7- The products (technologies) described in the datasheet(s) are not to be provided to any party whose purpose in their application will hinder maintenance of international peace and safety nor are they to be applied to that purpose by their direct purchasers or any third party. When exporting these products (technologies), the necessary procedures are to be taken in accordance with related laws and regulations.