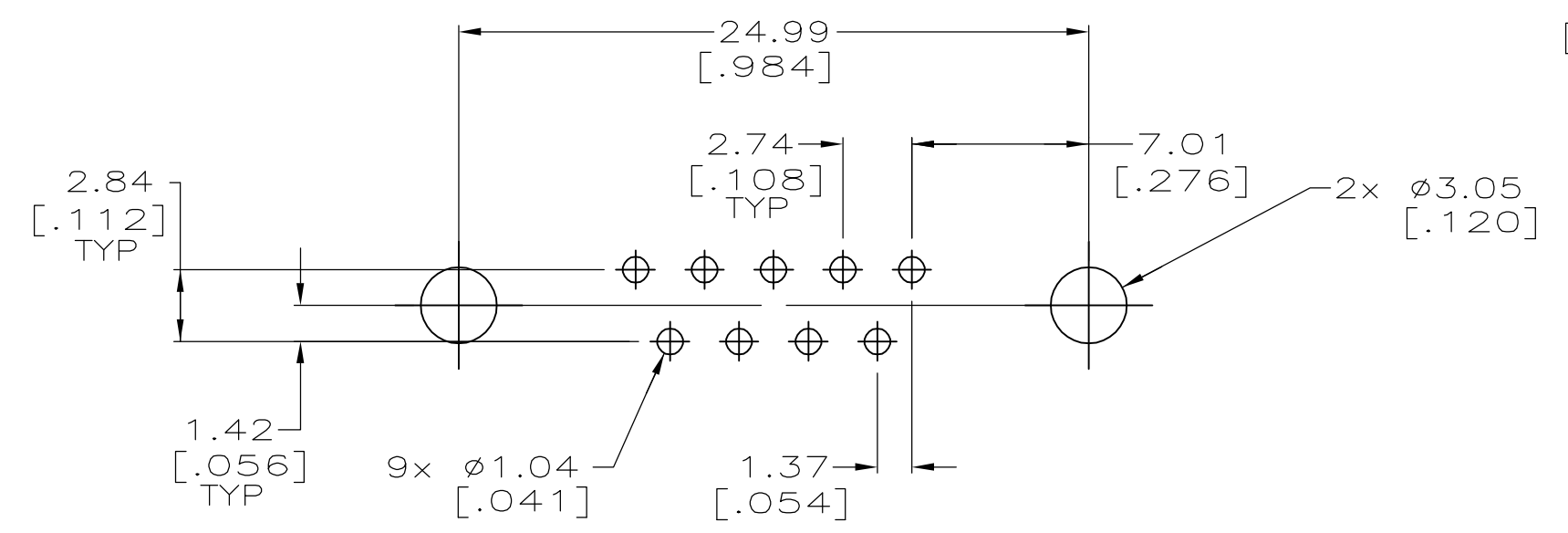
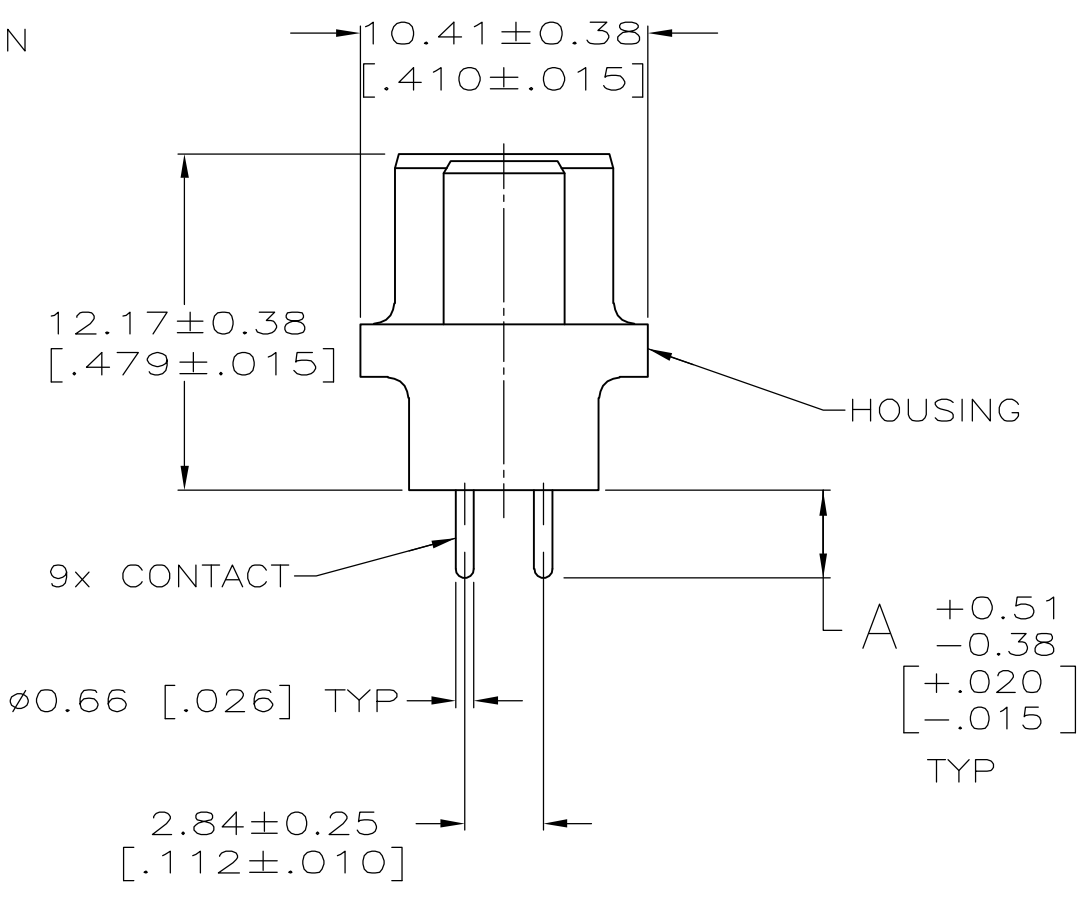
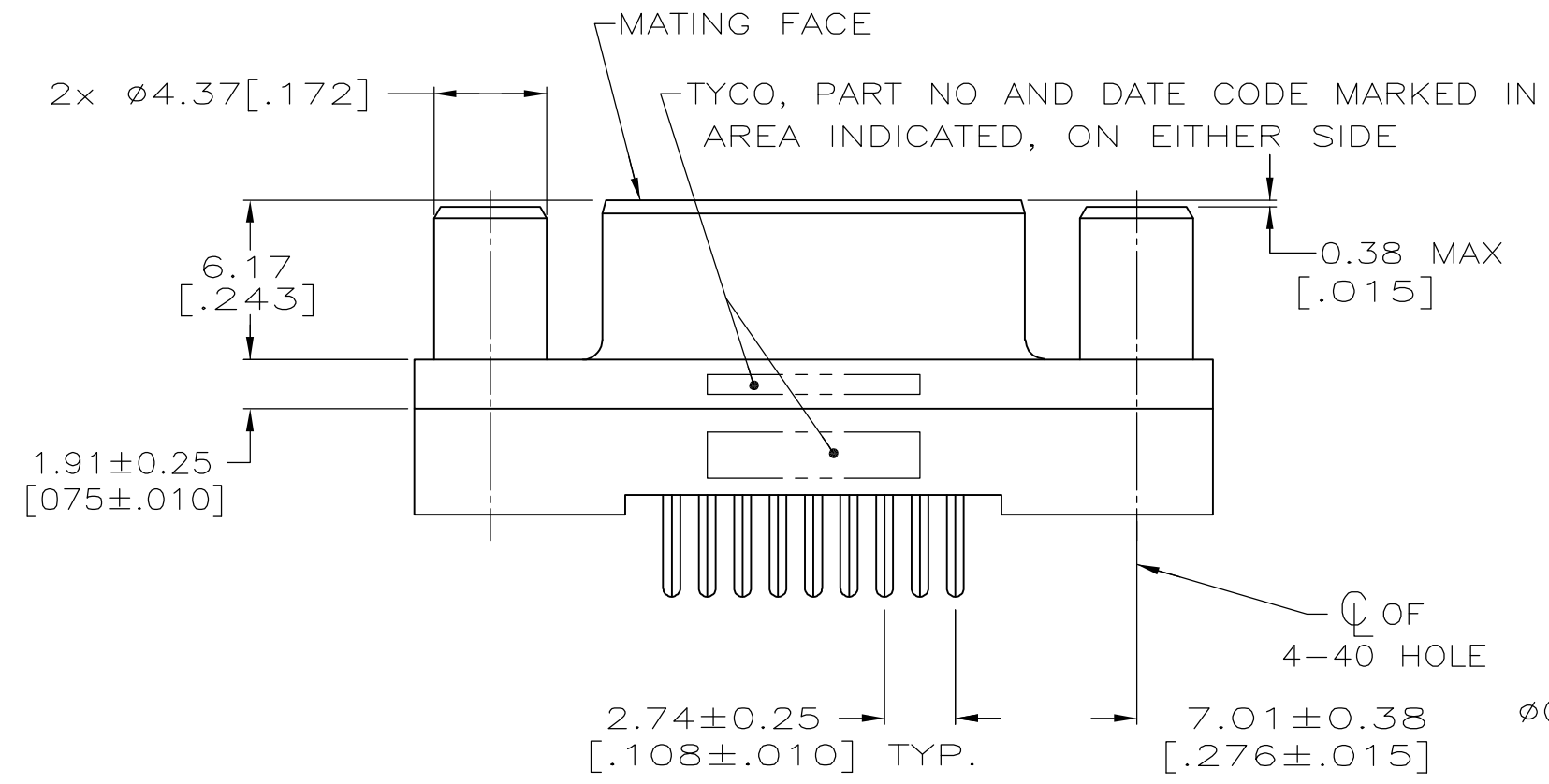


- 1 HOUSING: BLACK POLYESTER, UL 94V-0 RATED.
 CONTACTS: PHOSPHOR BRONZE.
 SCREWLOCKS: BRASS.
- 2 CONTACTS: SEE TABLE.
 SCREWLOCKS: 1.27µm [.000050] MIN NICKEL OVER COPPER FLASH.
- 3 GOLD FLASH FOR A LENGTH OF 2.54 [.100] MIN FROM MATING END, 2.54µm [.000100] MIN TIN ON OPPOSITE END, ALL OVER 1.27µm [.000050] MIN NICKEL.
- 4 0.76µm [.000030] MIN GOLD FOR A LENGTH OF 2.54 [.100] MIN FROM MATING END, 2.54µm [.000100] MIN TIN ON OPPOSITE END, ALL OVER 1.27µm [.000050] MIN NICKEL.



RECOMMENDED PC BOARD MOUNTING DIMENSIONS

**COPYRIGHT 2005
 TYCO ELECTRONICS CORP
 ALL RIGHTS RESERVED**

4.32 [.170]	4	5745076-6
3.18 [.125]	4	5745076-4
3.18 [.125]	3	5745076-3
A	CONTACT FINISH	PART NO

THIS DRAWING IS A CONTROLLED DOCUMENT.		DWN G.PETERS 13SEP05	Tyco Electronics Corporation Harrisburg, PA 17105-3608
DIMENSIONS: mm [INCHES]		CHK S.BOLASH 13SEP05	
TOLERANCES UNLESS OTHERWISE SPECIFIED:		APVD M.WALMSLEY 13SEP05	NAME
0 PLC ± -	1 PLC ± -	PRODUCT SPEC	108-40025
2 PLC ± 0.13 [.005]	3 PLC ± -	APPLICATION SPEC	
4 PLC ± - ± 2'	ANGLES ± - ± 2'	FINISH	
MATERIAL 1		WEIGHT -	SIZE A2
			CAGE CODE 00779
			DRAWING NO G-5745076
			RESTRICTED TO -
		CUSTOMER DRAWING	SCALE 4:1 SHEET 1 OF 1 REV 0