

MAX solutions

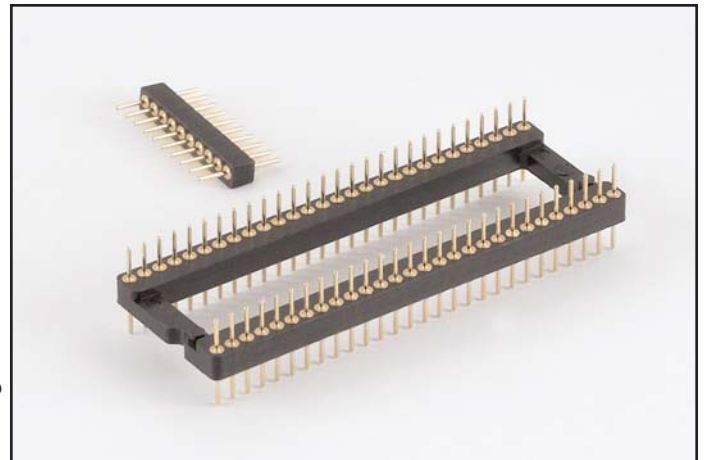
SPDIP .070" PITCH (1.778mm) DIP & SIP HEADERS

Mill-Max is pleased to introduce a family of SPDIP mating pin headers to compliment its line of SPDIP sockets.

SPDIP (Shrink Plastic) packaging reduces device lead spacing between pins down to .070" pitch (1.778mm). This technology is utilized in memory, microcontrollers, video controllers and automotive design applications.

DIP and SIP headers are valuable for interconnect applications, such as: board stacking, socket testing and elevating circuits off the board surface.

Mill-Max SPDIP headers are precision-machined using brass alloy 360 and are configured with pluggable tails. They easily mate to their corresponding Mill-Max SPDIP sockets found in the Mill-Max Design Guide 17R, page 87.



Please see our complete Design Guide online: www.mill-max.com. You may call our Application Engineers at any time to discuss application specific concerns: 516-922-6000.

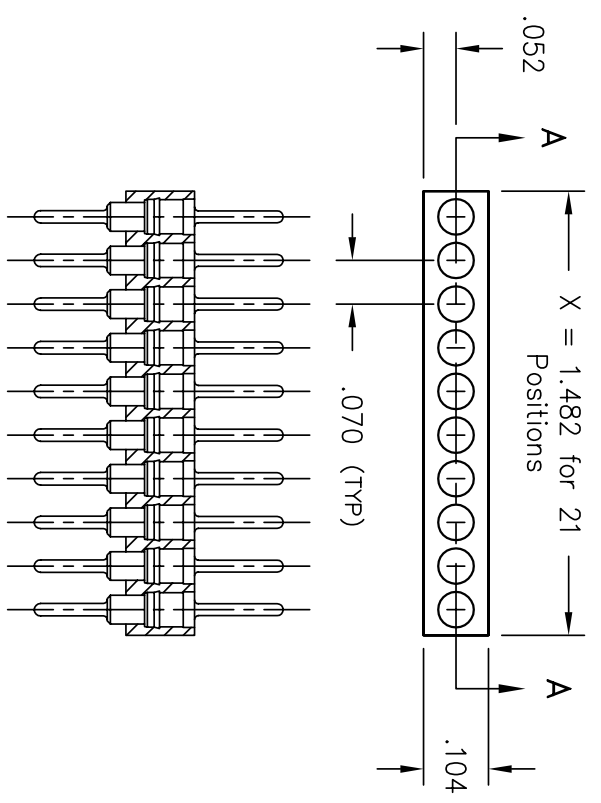
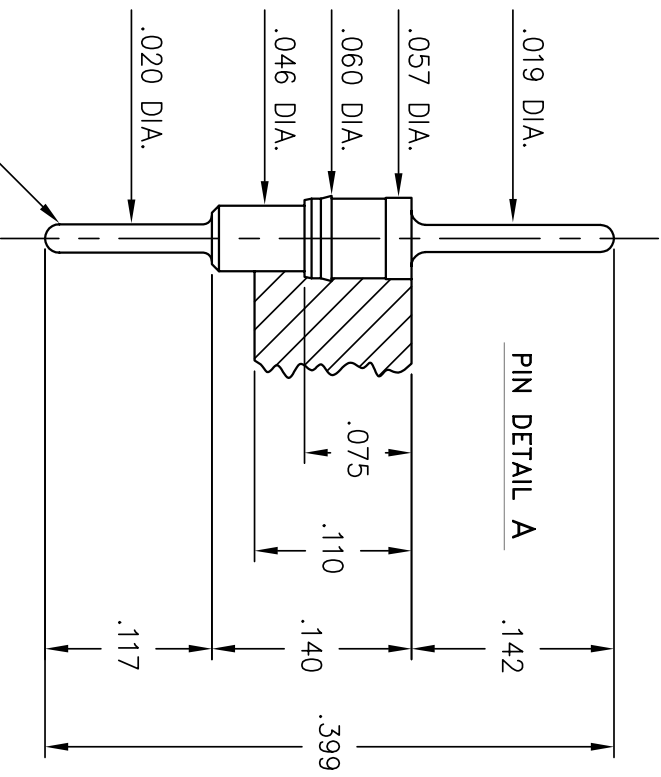
(5/07 - 575)

Mill-Max Mfg. Corp. • 190 Pine Hollow Road, Oyster Bay, NY 11771-0300
516-922-6000 • Fax: 516-922-9253 • www.mill-max.com



THIS DRAWING CONTAINS INFORMATION PROPRIETARY TO MILL-MAX MFG. CORP. ANY REPRODUCTION, DISCLOSURE OR USE OF THIS DOCUMENT IS PROHIBITED WITHOUT THE WRITTEN CONSENT OF MILL-MAX MFG. CORP.

REV.	DATE	REV. DESCRIPTION



ORDER AS: SEE TABLE 1 FOR PIN NUMBER
P862-YY-OXX-00-180000

ORDER AS: P862-YY-OXX-00-180000
 XX = 1 to 21 Positions

XX = NUMBER OF POSITIONS
 (1 TO 21 POSITIONS)

YY = SEE TABLE 1 (PLATING CODES)

NOTES:

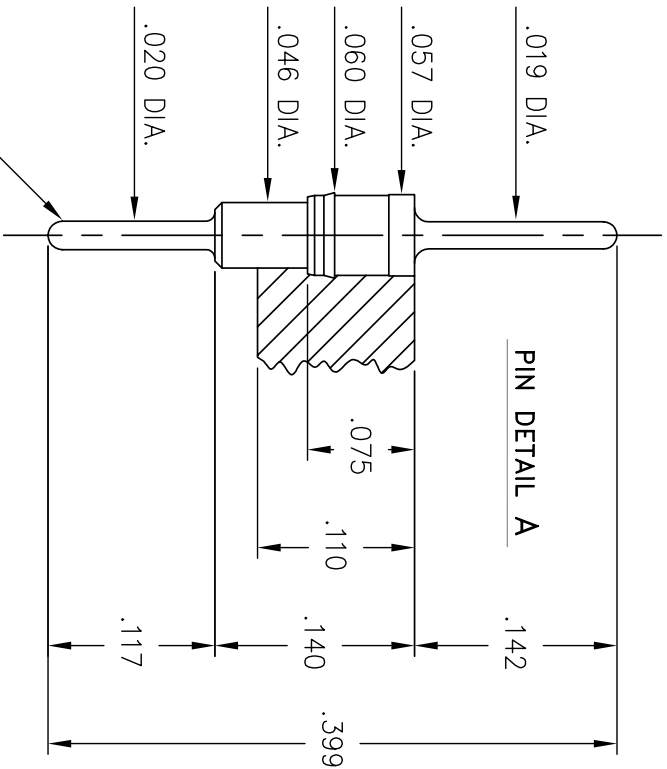
- PIN MATERIAL: BRASS ALLOY 360, 1/2 HARD.
- PIN FINISH: SEE REFERENCE TABLE 1.
- INSULATOR MATERIAL: PCT THERMOPLASTIC, RATED UL 94 V-0.

* - ROHS COMPLIANT	- PIN PLATING -	- REFERENCE TABLE 1 -	- PIN NUMBER -
YY			
* 10	10 μ" GOLD OVER 100 μ" NICKEL		6218-0-00-15-00-00-03-0
* 40	200 μ" TIN MATTE OVER 100 μ" NICKEL		6218-0-00-80-00-00-03-0
90	200 μ" TIN/LEAD OVER 100 μ" NICKEL		6218-0-00-01-00-00-03-0



MILL-MAX® MFG. CORP.
 P.O. BOX 300, 190 PINE HOLLOW RD, OYSTER BAY, N.Y. 11771-0300
 TEL: (616) 922-8000, FAX: (616) 922-9263, WEB: WWW.MILL-MAX.COM

ALL DIMENSIONS IN INCHES AND AFTER PLATING	DIMENSIONS IN INCHES	SCALE	DATE	DRAWN	CHECKED	ENG. APPROVAL	DATE
PIN TOLERANCES: LENGTHS ± .005 DIAMETERS ± .002 ANGLES ± 2°	INSULATOR TOLERANCES: LENGTHS ± .005 THICKNESS ± .001 HOLE TO HOLE ± .001 NOT ACCUMULATIVE	N/S	6/22/04	D.M.	DARRIN	Marty Foutchard	
TITLE		SPSIP (.070" SPACING SIP) HEADERS					
CUSTOMER APPROVAL		DATE	PROPOSAL NUMBER	REV			
			4403				



SEE TABLE 1 FOR PIN NUMBER

ORDER AS:

P162-YY-ZXX-00-180000

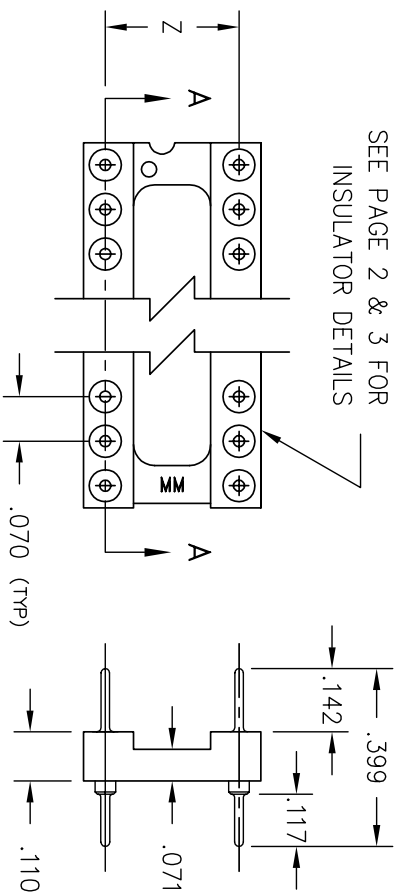
Z = ROW TO ROW SPACING
 XX = NUMBER OF POSITIONS
 SEE PG. 2 & 3 FOR INSULATOR
 DETAILS

YY = SEE TABLE 1 (PLATING CODES)

NOTES:

- PIN MATERIAL: BRASS ALLOY 360, 1/2 HARD.
- PIN FINISH: SEE REFERENCE TABLE 1.
- INSULATOR MATERIAL: PCT THERMOPLASTIC,
 RATED UL 94 V-0.

SEE PAGE 2 & 3 FOR
 INSULATOR DETAILS



SECTION A-A

SEE PIN DETAIL A

* - ROHS COMPLIANT		- PIN PLATING -		- REFERENCE TABLE 1 -		- PIN NUMBER -	
YY							
* 10	10 μ" GOLD OVER 100 μ" NICKEL					6218-0-00-15-00-00-03-0	
* 40	200 μ" TIN MATTE OVER 100 μ" NICKEL					6218-0-00-80-00-00-03-0	
90	200 μ" TIN/LEAD OVER 100 μ" NICKEL					6218-0-00-01-00-00-03-0	



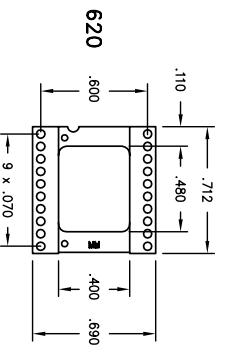
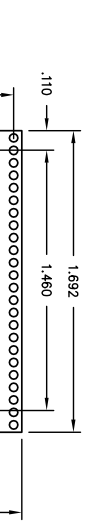
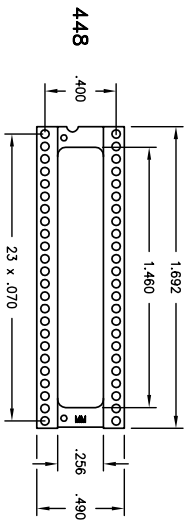
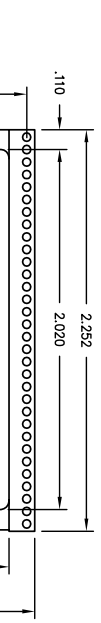
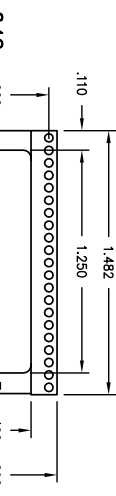
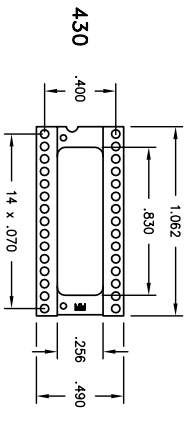
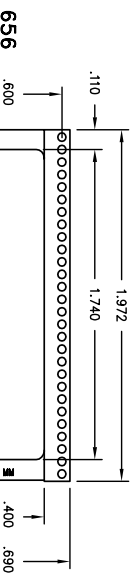
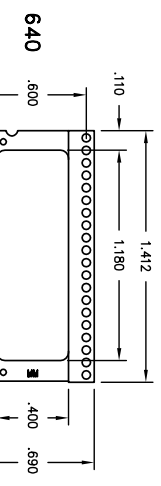
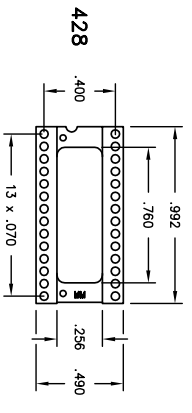
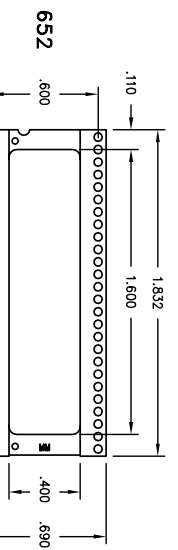
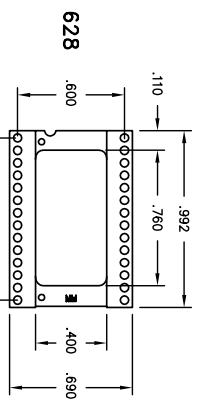
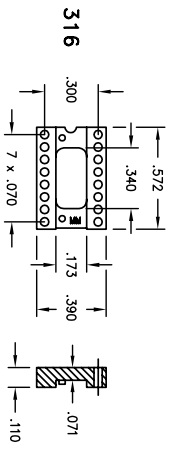
P.O. BOX 300, 190 PINE HOLLOW RD, OYSTER BAY, N.Y. 11771-0300
 TEL: (616) 922-9000, FAX: (616) 922-9263, WEB: WWW.MILL-MAX.COM

MILL-MAX MFG. CORP.

ALL DIMENSIONS IN INCHES AND AFTER PLATING		DIMENSIONS IN INCHES		SCALE		DATE		DRAWN		ENG. APPROVAL		SHEET NUMBER	
PIN TOLERANCES: LENGTHS ± .005 DIAMETERS ± .002 ANGLES ± 2°		INSULATOR TOLERANCES: LENGTHS ± .005 THICKNESS ± .003 HOLE TO HOLE ± .001 NOT ACCUMULATIVE		N/S		1/17/05		D.M.		<i>Marty Stradford</i>		1 of 3	
TITLE				SPDIP (.070" SPACING DIP) HEADERS									
CUSTOMER APPROVAL				DATE				PROPOSAL NUMBER				REV	
								4511				-	

THIS DRAWING CONTAINS INFORMATION PROPRIETARY TO MILL-MAX MFG. CORP. ANY REPRODUCTION, DISCLOSURE OR USE OF THIS DOCUMENT IS PROHIBITED WITHOUT THE WRITTEN CONSENT OF MILL-MAX MFG. CORP.

REV.	DATE	REV. DESCRIPTION



NOTES:

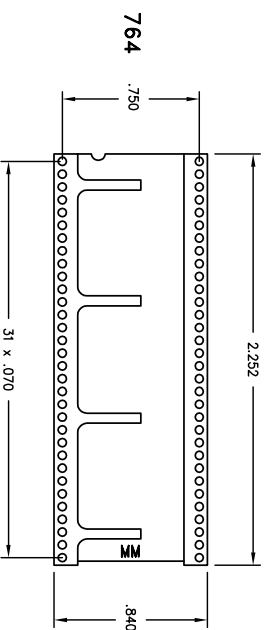
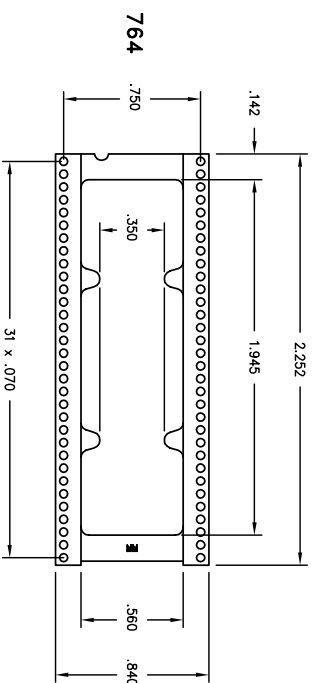
- PIN MATERIAL: BRASS ALLOY 360, 1/2 HARD.
- PIN FINISH: SEE REFERENCE TABLE 1.
- INSULATOR MATERIAL: PCT THERMOPLASTIC, RATED UL 94 V-O.



MILL-MAX MFG. CORP.
P.O. BOX 300, 190 PINE HOLLOW RD, OYSTER BAY, N.Y. 11771-0300
TEL: (616) 922-6000, FAX: (616) 922-9263, WEB: WWW.MILL-MAX.COM

ALL DIMENSIONS IN INCHES AND AFTER PLATING	PIN TOLERANCES: LENGTHS ± .006 DIAMETERS ± .002 ANGLES ± 2°	DIMENSIONS IN INCHES	INSULATOR TOLERANCES: LENGTHS ± .005 THICKNESS ± .003 HOLE TO HOLE ± .001 NOT ACCUMULATIVE	SCALE	DATE	DRAWN	ENG. APPROVAL	SHEET NUMBER
				1:1	1/17/05	D.M.	<i>Marty Stadropf</i>	2 of 3
TITLE				SPDIP (.070" SPACING DIP) HEADERS				
CUSTOMER APPROVAL				DATE	PROPOSAL NUMBER	REV		
					4511	—		

REV.	DATE	REV. DESCRIPTION



(CLOSED FRAME INSULATOR)
 64 POSITIONS ON .750" PITCH
 TO ORDER THIS VERSION CHANGE
 THE PREFIX OF THE PART
 NUMBER FROM P162 TO P262

NOTES:

1. PIN MATERIAL: BRASS ALLOY 360, 1/2 HARD.
2. PIN FINISH: SEE REFERENCE TABLE 1.
3. INSULATOR MATERIAL: PCT THERMOPLASTIC,
 RATED UL 94 V-O.



MILL-MAX® MFG. CORP.
 P.O. BOX 300, 160 PINE HOLLOW RD, OYSTER BAY, N.Y. 11771-0300
 TEL: (616) 922-6000, FAX: (616) 922-9263, WEB: WWW.MILL-MAX.COM

ALL DIMENSIONS IN INCHES AND AFTER PLATING	DIMENSIONS IN INCHES	SCALE	DATE	DRAWN	ENG. APPROVAL	SHEET NUMBER
PIN TOLERANCES: LENGTHS ± .005 DIAMETERS ± .002 ANGLES ± 2°	INSULATOR TOLERANCES: LENGTHS ± .006 THICKNESS ± .003 HOLE TO HOLE ± .001 NOT ACCUMULATIVE	1:1	1/17/05	D.M.	<i>Marty Flautropf</i>	3 of 3
TITLE SPDIP (.070" SPACING DIP) HEADERS		CUSTOMER APPROVAL		DATE	PROPOSAL NUMBER	REV
					4511	—