

90° HYBRID MODEL DQP-90-450

5:1 BANDWIDTH

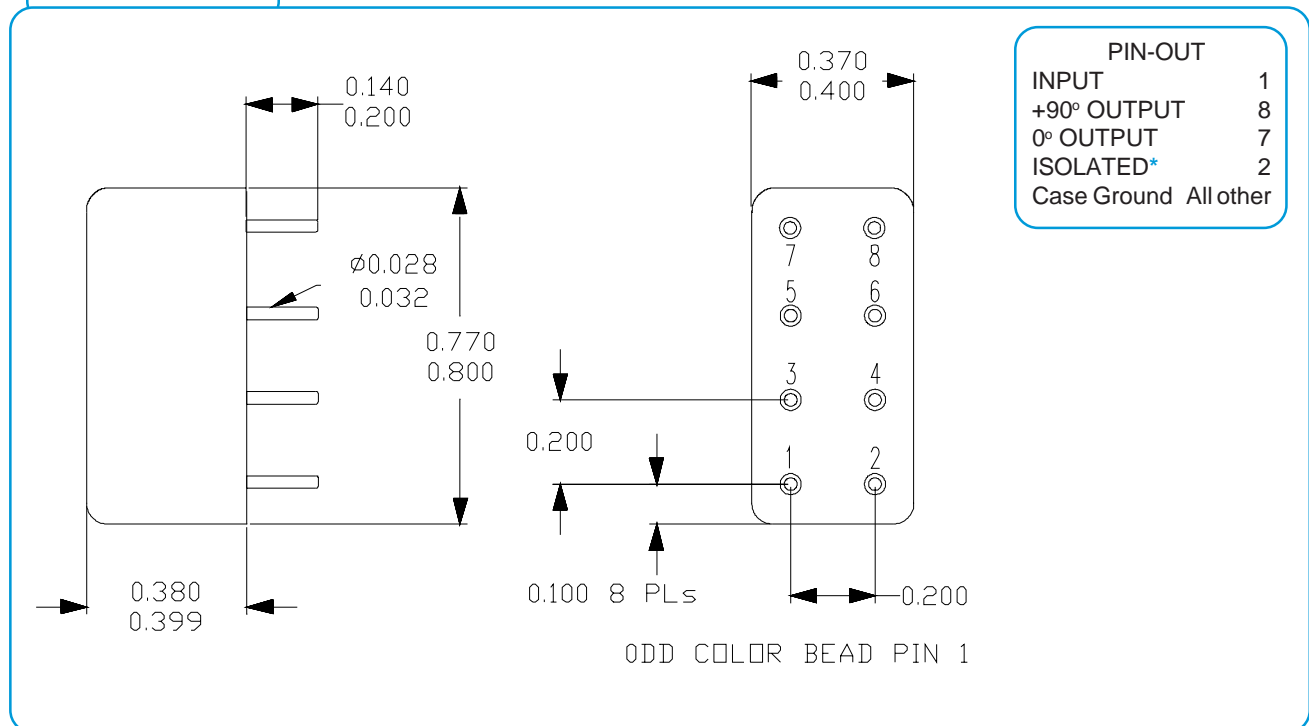
90 - 450 MHz

SPECIFICATIONS

Operating Frequency:	90 - 450 MHz	Phase Unbalance:	3.0° (Typ)/ 5.0° (Max)
Insertion Loss:	1.2 dB (Typ) / 1.5 dB (Max)	VSWR:	1.5:1 (Max)
Isolation:	23 dB (Typ)/16 dB (Min)	Power Rating	1 Watt (Max)
Amplitude Unbalance:	0.7 dB (Typ) / 1 dB (Max)	Impedance:	50 Ohms
		Operating Temp. Range:	-55° to +100° C



MECHANICAL OUTLINE:102



90° HYBRID MODEL DQP-90-450

5:1 BANDWIDTH

90 - 450 MHz

PERFORMANCE PLOTS

