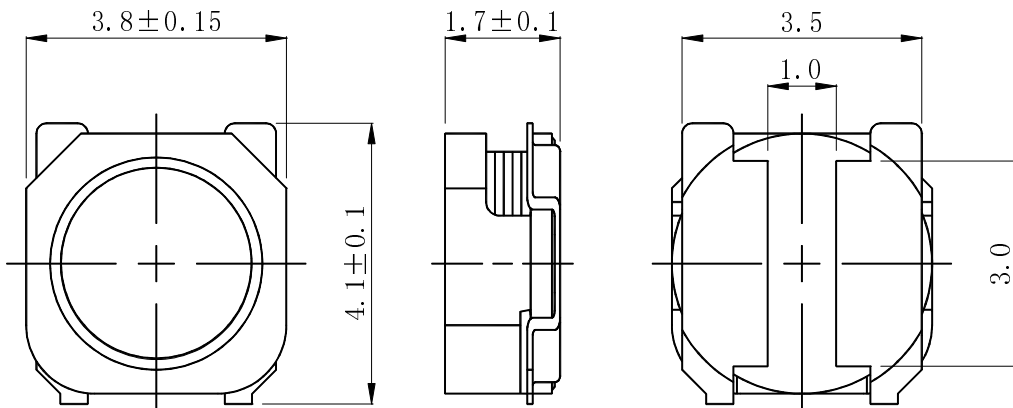
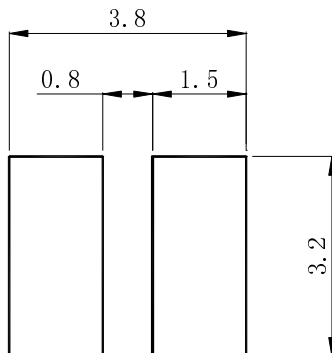
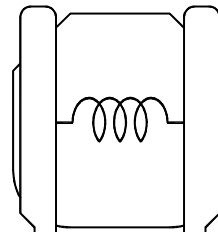


Type: CDRH38D16R
◆ Product Description

- 4.2×3.95mm Max.(L×W), 1.8mm Max. Height.
- Inductance range: 0.90~100 μ H.
- Rated current range: 0.20~2.18A.
- Custom design is available.


◆ Feature

- Magnetically shielded construction.
- Storage temperature range: -40°C~+105°C.
- Operating temperature range: -40°C~+105°C (including coil's self-heat).
- Ideally used in Mobilephone,PDA,MP3,DSC/DVC,HDD,etc as DC-DC converter inductors.
- Product weight: 0.085g (Ref.).
- RoHS compliance.

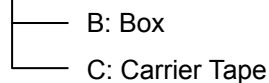
◆ Dimensions (mm)

◆ Land Pattern (mm)

◆ Schematics (Bottom)


Type: CDRH38D16R
◆ Specification

Part No. ※	Stamp	Inductance (μ H) at 100KHz	D.C.R. (m Ω) (at 20°C)	Saturation current (A) ※1		Temperature Rise Current (A) ※2
				at 20°C	at 100°C	
CDRH38D16RNP-R90N□	A	0.90 \pm 30%	19 \pm 25%	2.18	1.73	3.45
CDRH38D16RNP-1R6N□	B	1.6 \pm 30%	27 \pm 25%	1.65	1.39	3.05
CDRH38D16RNP-2R2N□	C	2.2 \pm 30%	30 \pm 25%	1.41	1.22	2.85
CDRH38D16RNP-3R3M□	D	3.3 \pm 20%	47 \pm 25%	1.16	0.99	2.25
CDRH38D16RNP-4R7M□	E	4.7 \pm 20%	68 \pm 25%	0.95	0.80	1.75
CDRH38D16RNP-6R8M□	F	6.8 \pm 20%	91 \pm 25%	0.81	0.69	1.50
CDRH38D16RNP-100M□	G	10 \pm 20%	127 \pm 20%	0.62	0.54	1.30
CDRH38D16RNP-150M□	H	15 \pm 20%	174 \pm 20%	0.53	0.47	1.15
CDRH38D16RNP-220M□	J	22 \pm 20%	303 \pm 20%	0.44	0.38	0.80
CDRH38D16RNP-330M□	K	33 \pm 20%	431 \pm 20%	0.35	0.31	0.68
CDRH38D16RNP-470M□	L	47 \pm 20%	788 \pm 20%	0.29	0.24	0.47
CDRH38D16RNP-680M□	M	68 \pm 20%	1007 \pm 20%	0.26	0.22	0.42
CDRH38D16RNP-101M□	N	100 \pm 20%	1521 \pm 20%	0.20	0.17	0.33

※ Description of part name

CDRH38D16RNP-1R6N□



B: Box
C: Carrier Tape

※1.Saturation current: The DC current at which the inductance decreases to 70% of its nominal value.

 ※2.Temperature rise current: The DC current at which the temperature rise is $\Delta t=40^{\circ}\text{C}$.($T_a=20^{\circ}\text{C}$).