

SPECIFICATIONS

Mechanical

Contact Retention Force: 1.0Kg min.

Electrical

Voltage Rating: 750V

Current Rating: 1A

Contact Resistance: 45mΩ max.

Dielectrical Withstanding Voltage: 1000V

Insulation Resistance: 1000MΩ min.

Physical

Housing: LCP, UL 94-0 rated, Ivory White

Contact: Phosphor Bronze

Plating: See "ORDERING INFORMATION"

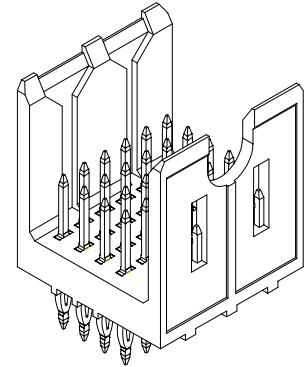
FUTURE BUS CONNECTOR

1F Series

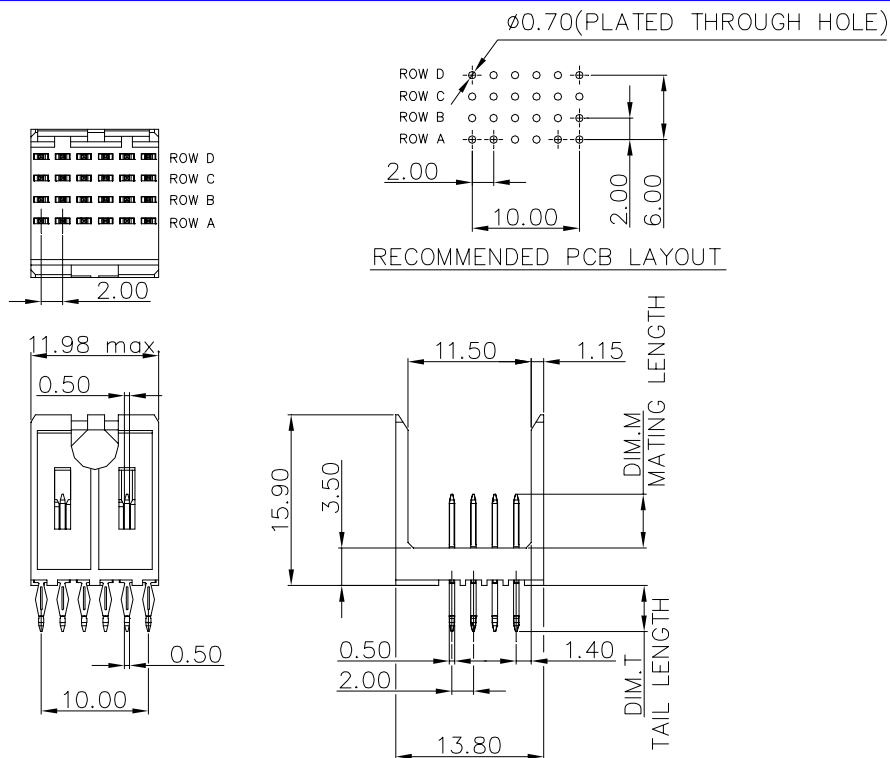
Header Press Fit Type

2.0mm Pitch

4 Rows



DRAWING



ORDERING INFORMATION

PRODUCT NO.: 1 F 1 1 * * * * - P * * A 0 * - * *

- POS. NO.: 024=024 pos.
- Mating Area Plating: 1=GOLD FLASH, 3=0.76um(30u")MIN. GOLD PLATING, 5=1.27um(50u")MIN. GOLD PLATING, 6=0.25um(10u")MIN. GOLD PLATING, A=0.76um(30u")MIN. FPT PLATING, 0.25um(10u")MIN. GOLD INCLUDED
- Tail Style: P=Press Fit
- Tail Length(DIM.T) 1=4.30mm
- Lead Free Code: N=None, F=Lead Free
- Package Type: A=Tube
- Extension Code: N,T,L,M
- BODY STYLE A0=Standard Part
- Mating Length(DIM.M) 1=5.00 mm, 2=5.75 mm, 3=6.50 mm, 4=7.25 mm, 5=8.00 mm