

TRIM TRIO[®] Industrial Ethernet RJ45



Description

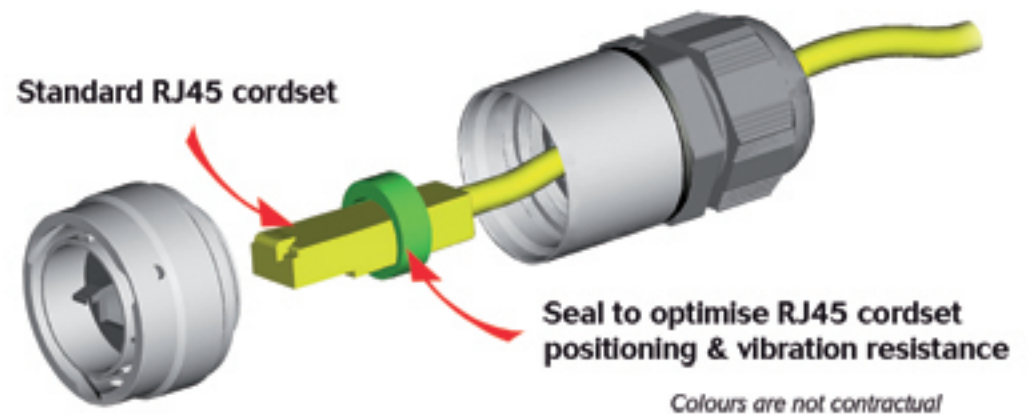
UTO Industrial RJ45 Ethernet offers a connector solution to set up a high speed Ethernet network for Industrial and other Harsh Environments.

Features

- IP67 water protection
- Rapid & secure mating - min 500 mating cycles
- Rapid mating with 1/3 turn with an audible & sensitive "click"
- High salt spray resistance
- Shock, vibration and traction resistant
- Rapid installation of cable plug - no tooling required
- Suitable for standard RJ45 cordset

Applications

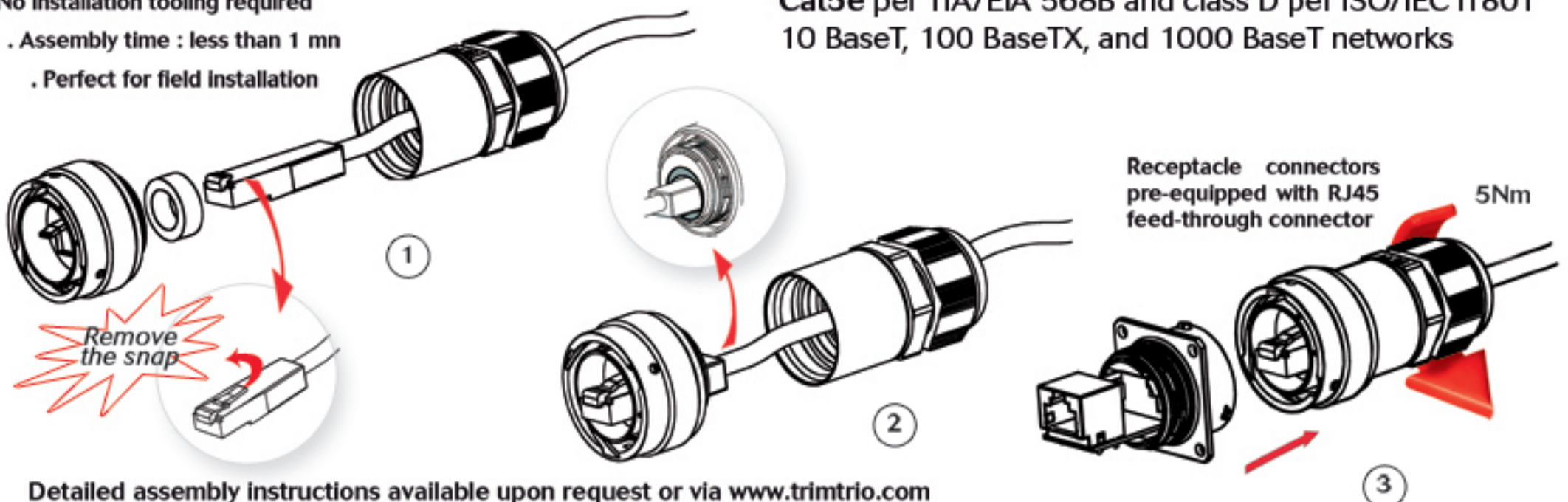
- Factory automation
- Data transmission in harsh environments
- Network interconnects
- Robotics
- Communications
- Railways
- Industrial Telecom



- 3 insert orientations possible
- Square flange and jam nut receptacles
- RoHS compliant

Assembly instructions

- No installation tooling required
- Assembly time : less than 1 mn
- Perfect for field installation



Detailed assembly instructions available upon request or via www.trimtrio.com

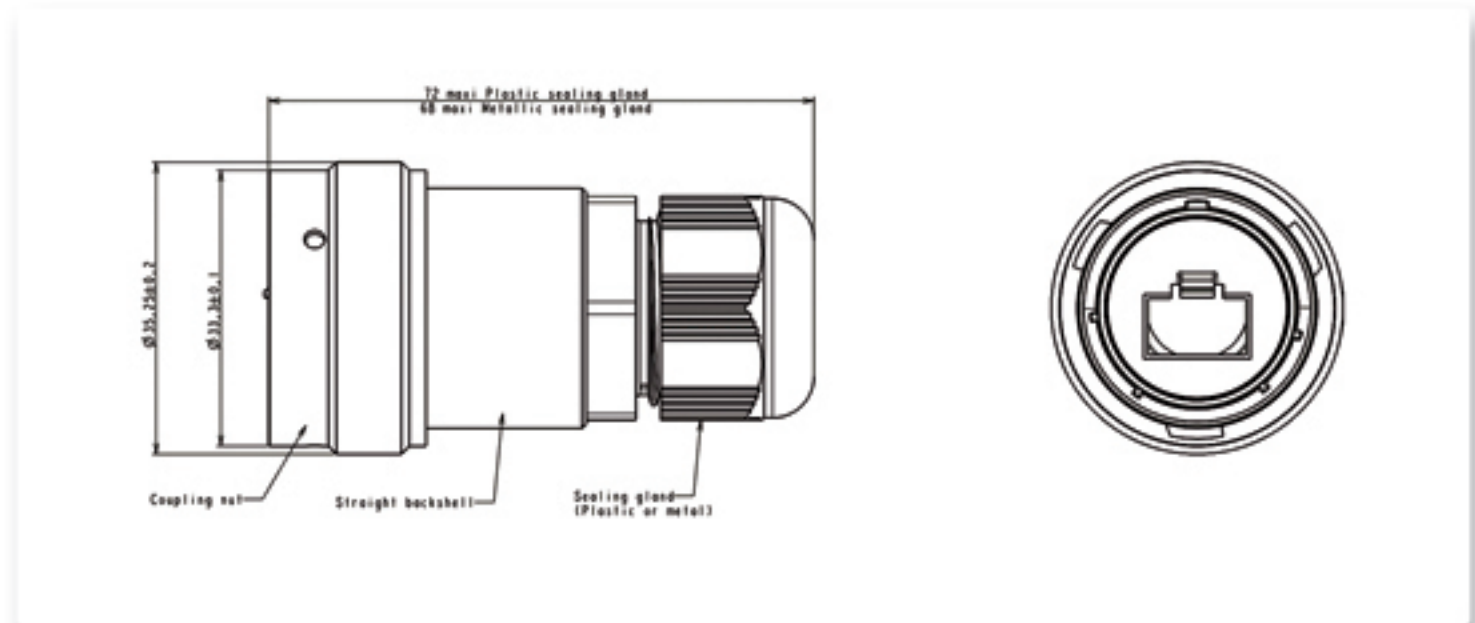


SOURIAU
Connection Technology



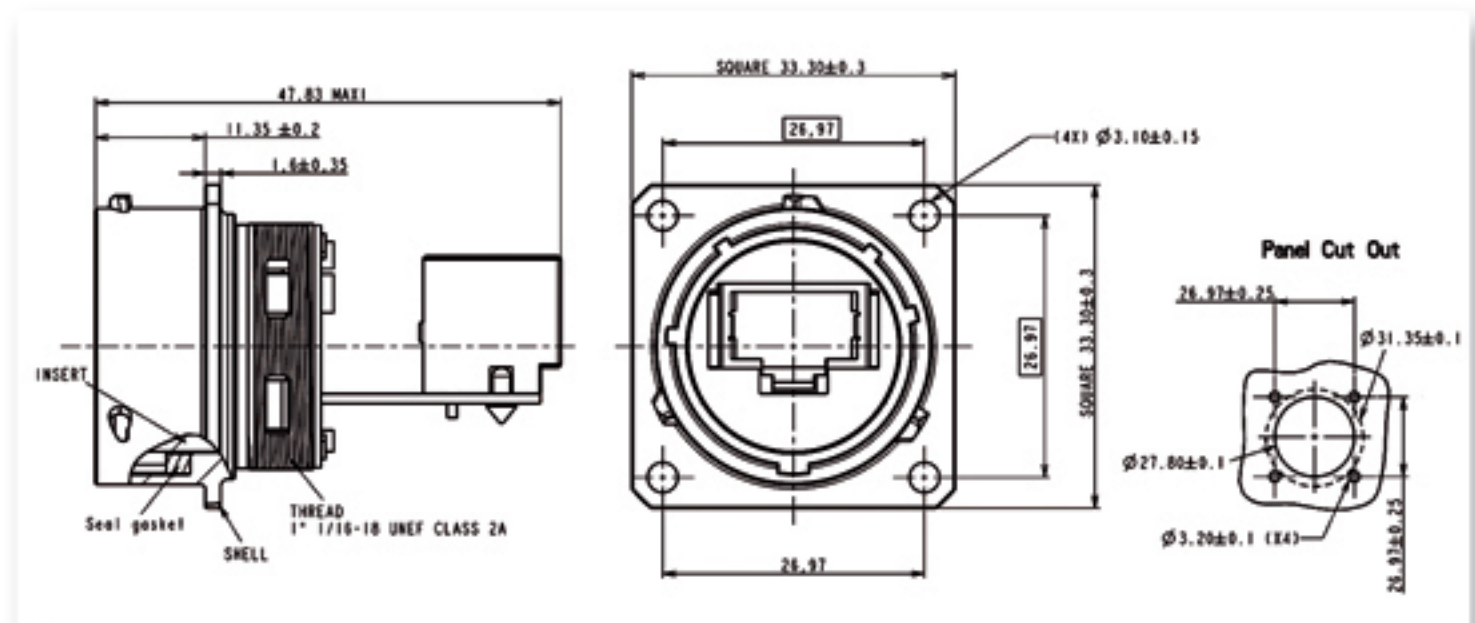
TRIM TRIO[®] Industrial Ethernet RJ45

Range presentation



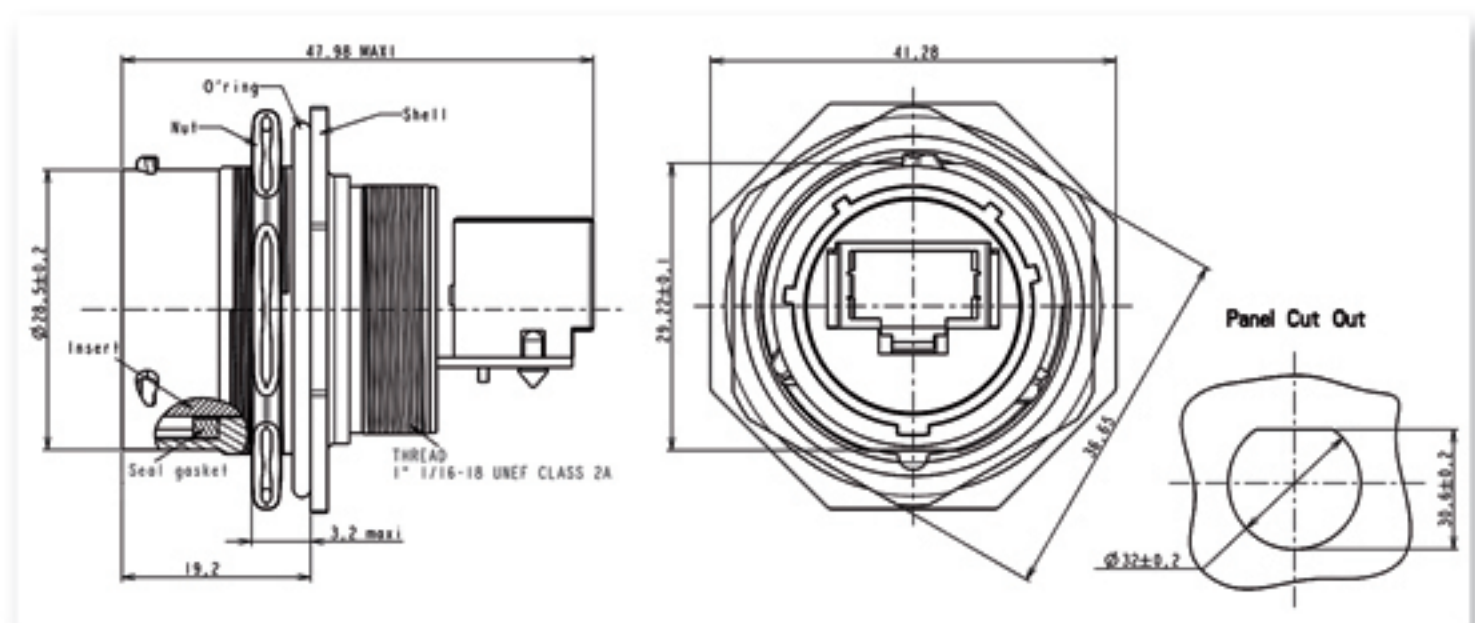
* Please see ordering information on next page

Note : all dimensions are in mm



* Please see ordering information on next page

Note : all dimensions are in mm



* Please see ordering information on next page

Note : all dimensions are in mm



TRIM TRIO[®] Industrial Ethernet RJ45

Technical characteristics

Mechanical

- Durability 500 cycles

Material

- Shells Zinc alloy
- Coupling ring Aluminium alloy
- Coupling spring Spring stainless steel
- Insert Thermoplastic UL94-V0 NFF 16102, level 2
- Plating Nickel (48 hr salt spray)
Black anodized coupling ring + jam nut (96 hr salt spray)

Electrical

- Connection category RJ45
- Cat5e per TIA/EIA 568B and class D per ISO/IEC 11801

Environmental



- RoHS compliant
- Operating temperature from -40°C to +85°C
- Sealing (mated) IP67
- Salt spray resistance 48 hr - standard version
96 hr - black anodized ring
200/500 hr upon request
- Thermal shock 5 cycles -40°C +100°C

Ordering information

Type	UTO	0	18	RJF	N	-	-	-
	UTO	6	18	RJ	N	P	-	-
Body variation	0 : Square flange receptacle 7 : Jam nut receptacle 6 : Cable plug							
Shell size								
Insert	RJF : Feed through (only receptacles) RJ : Free insert to accept any RJ45 (only plug)							
Polarisation	N : Normal A, B : Different orientations							
Cable gland (only plug)	P : Plastic M : Metal							
Plating	- : Nickel plating (=standard 48hr salt spray) O1 (only jam nut) : Nickel plating but black anodized jam nut (96 hr salt spray) O2 (only plug) : Nickel plating but black anodized coupling ring (96 hr salt spray)							
Design variation								



TRIM TRIO[®] Industrial Ethernet RJ45

Accessories

Metal dustcap
for receptacles



Part numbers :
UTO18DCG (with chain)
UTO18DC (without chain)

Plastic dustcap
for receptacles



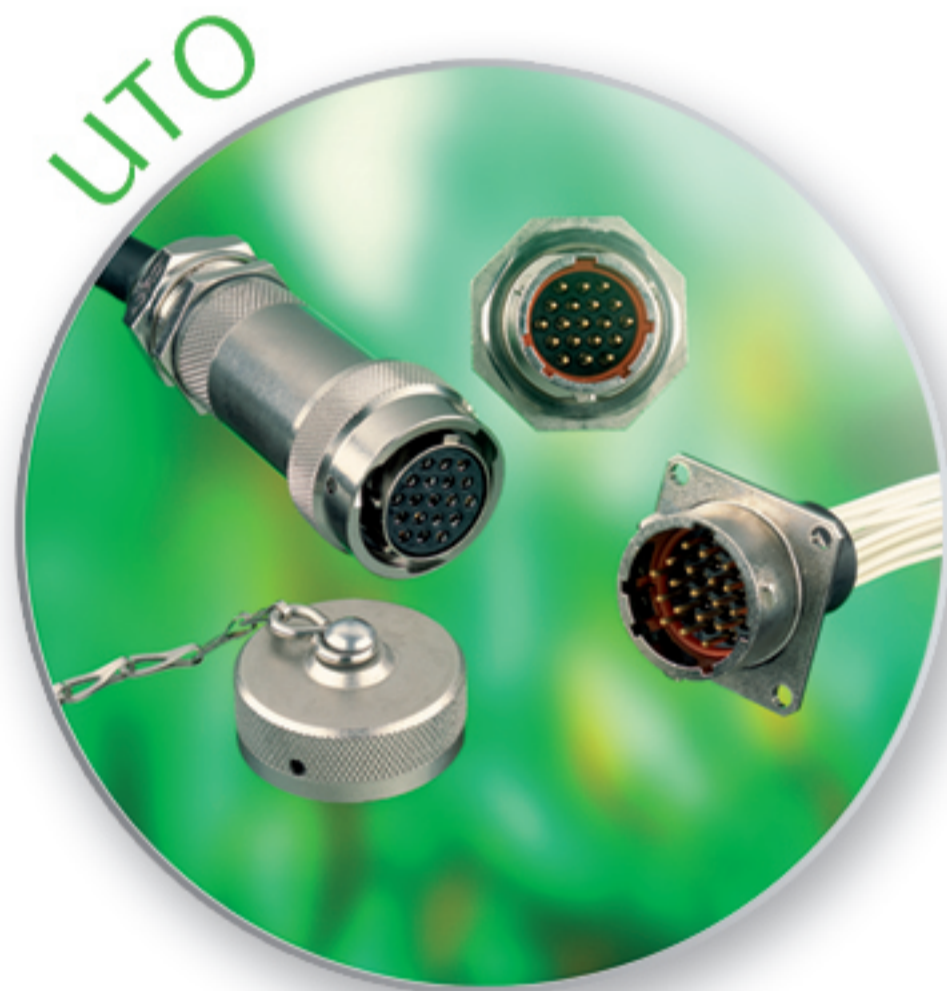
Part numbers :
UTP18DCG (with chain)
UTP18DC (without chain)

Sealing for square
flange receptacle



Part numbers :
UTFD16B

Other TRIM TRIO[®] Ethernet solutions



For further information, visit our web site www.trimtrio.com,
or contact us at contactindustry@souriau.com