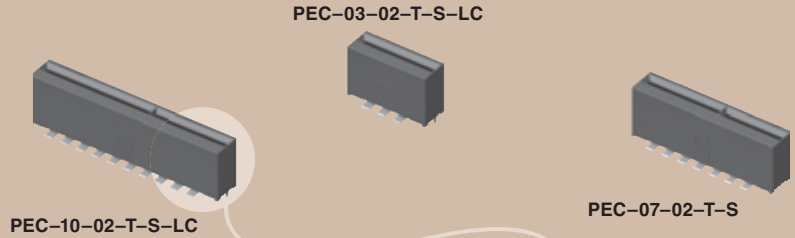


(2,54mm) .100"

PEC SERIES



POWER EDGE CARD INTERFACE

SPECIFICATIONS

For complete specifications and recommended PCB layouts see www.samtec.com?PEC

Insulator Material:
Black Liquid Crystal Polymer



Contact Material:
BeCu

Plating:
Sn over 50µ" (1,27µm) Ni

Operating Temp Range:
-55°C to +105°C

Voltage Rating:
250 VAC

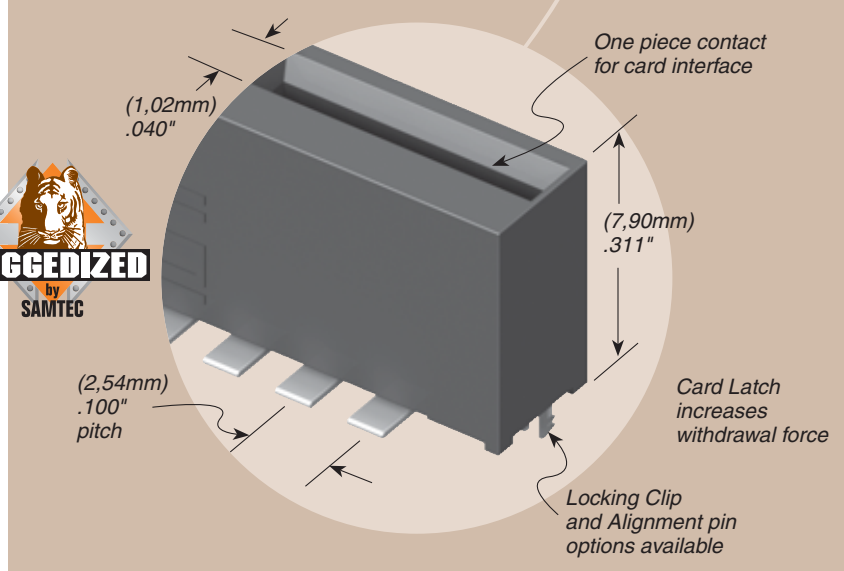
RoHS Compliant:
Yes

Processing:

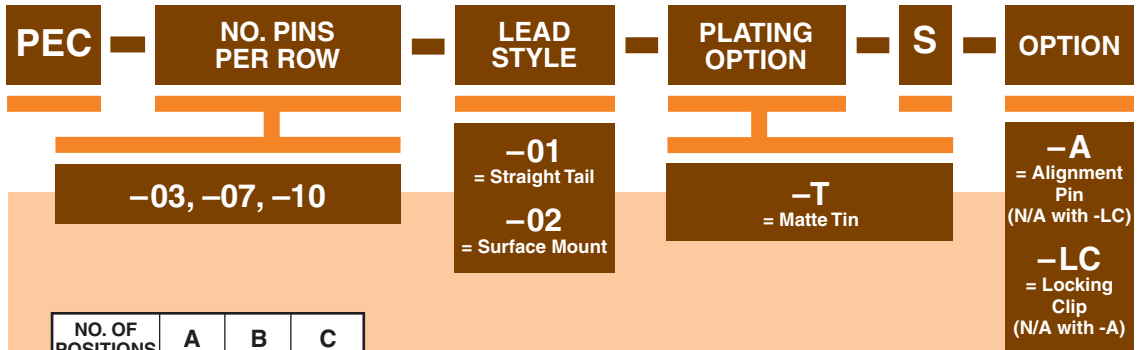
Max Processing Temp:
230°C for 60 seconds, or
260°C for 20 seconds 3x

Lead-Free Solderable:
Yes

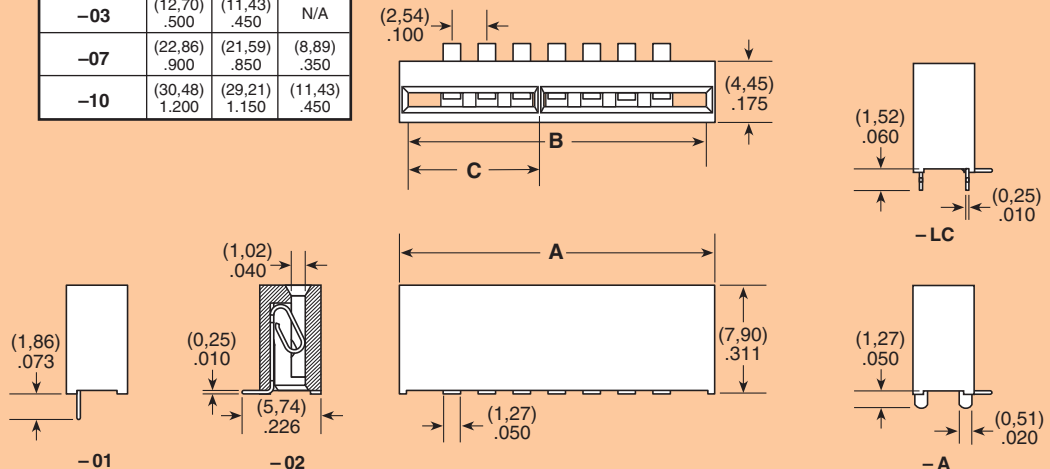
SMT Lead Coplanarity:
(0,10mm) .004" max



CURRENT RATING	
AMBIENT TEMP	PEC
20°C	9.8A
40°C	8.5A
60°C	7A
75°C	5.8A
4 POSITIONS POWERED	



NO. OF POSITIONS	A	B	C
-03	(12,70) .500	(11,43) .450	N/A
-07	(22,86) .900	(21,59) .850	(8,89) .350
-10	(30,48) 1.200	(29,21) 1.150	(11,43) .450



Note: Some sizes, styles and options are non-standard, non-returnable.

Due to technical progress, all designs, specifications and components are subject to change without notice.

WWW.SAMTEC.COM