

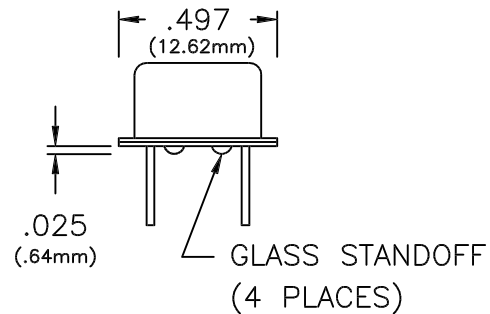
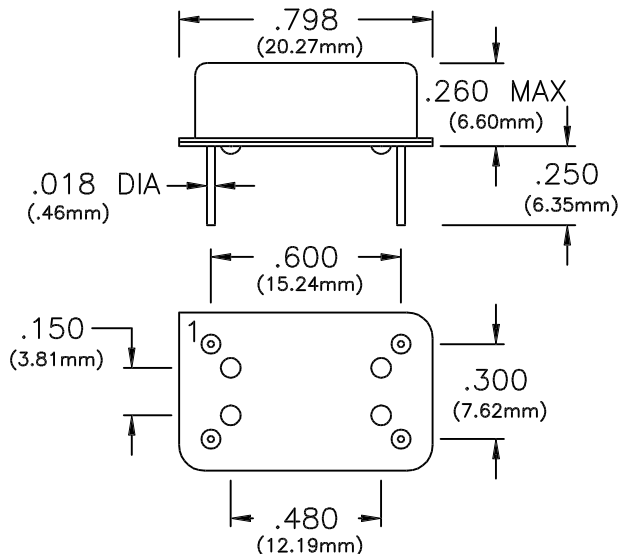


CONNOR-WINFIELD CORPORATION

AURORA, IL. 60505
 PHONE (630) 851-4722
 FAX (630) 851-5040

HCMOS/TTL COMPATIBLE TRI-STATE OUTPUT

SPECIFICATIONS		HC62R8R	
Frequency Range		1MHz to 70MHz	
Frequency Calibration @25°C		±25ppm	
Frequency Stability		±50ppm	
		(Inclusive of calibration tolerance at 25°C, operating temperature range, input voltage change, load change, aging, shock and vibration)	
Temperature Range		-40°C to +85°C	
Supply Voltage		+5Vdc ±10%	
Supply Current	1 to 25M	25mA Maximum	
	25 to 50M	45mA Maximum	
	50 to 70M	60mA Maximum	
Output	Waveform	HCMOS or TTL Compatible Squarewave	
	Load	HCMOS - 50pF , TTL - 10TTL	
	Duty Cycle	45/55 Maximum Measured at 50% level	
	Voltage	Voh	4.5V Minimum
		Vol	0.5V Maximum
	Current	Ioh	-16mA
		Iol	16mA
Rise/Fall Time	7nS Maximum, 4nS Typical		
Input	Output E/D Time	100nS Typical	
	Enable (Vih)	2.2V Minimum	
	Disable (Vil)	0.8V Maximum	
Oscillator output is enabled with no connection on pin 1			
Start Up Time		10mS Maximum	
Aging		±25ppm Maximum in 20 years	
Package		All metal, hermetically sealed, welded package	



PIN	CONNECTION
1	ENABLE/DISABLE
7	GROUND (CASE)
8	OUTPUT
14	Vcc

Dimensional Tolerance ±.005

Specifications subject to change without notice

BULLETIN #: HC062
 PAGE 1 OF 1

REV: 02
 DATE: 5/25/95

ISSUED BY: _____