



HY5RS123235BFP

# 512Mbit (16Mx32) GDDR3 SDRAM

## HY5RS123235BFP

**Revision History**

Revision No.	History	Draft Date	Remark
0.1	Defined target spec.	Apr. 2006	Preliminary
0.2	<ol style="list-style-type: none"> <li>1. CAS Latency(12~15) are removed.</li> <li>2. CAS Latency(12~15) change to Reserved on page 11.</li> <li>3. Additive Latency and Low Power Mode in EMRS are deleted on page 16.</li> <li>4. tCK_max changes from 3.3ns to 3ns.</li> </ol>	Jun. 2006	Preliminary
0.3	tCK_max changes from 3ns to 3.3ns below CL10.	July. 2006	Preliminary
0.4	<ol style="list-style-type: none"> <li>1. Added IDD Values</li> <li>2. Changed Ordering Information with Power Supply</li> </ol>	July. 2006	Preliminary
0.5	<ol style="list-style-type: none"> <li>1. Changed tWR number at 1.2GHz speed on page 54</li> <li>2. Changed typo for Ron on page 15</li> <li>3. Added note.48 on page 53</li> </ol>	Aug. 2006	Preliminary
0.6	<ol style="list-style-type: none"> <li>1. Changed tRRD from 16 to 13 and tWTR from 8 to 10 at tCK=0.8</li> <li>2. Inserted AC parameter value on 800MHz(tCK=1.2) for reference on page 54</li> </ol>	Sep. 2006	Preliminary
1.0	<ol style="list-style-type: none"> <li>1. Changed tDH/S from 140ps to 130ps on 1GHz</li> <li>2. Changed a VID(AC) value from 0.5/VDDQ+0.5 to 0.22/VDDQ+0.3 (Min/Max) on page 46.</li> </ol>	Oct. 2006	
1.1	<ol style="list-style-type: none"> <li>1. Changed PKG bottom mold on page 59.</li> <li>2. Changed tRAS_max from 100K tCK to 70Kns on page 54.</li> <li>3. Revised typo.</li> </ol>	Oct. 2006	
1.2	Revised Appendix C about the boundary sacn test on page 62.	Nov. 2006	
1.3	<ol style="list-style-type: none"> <li>1. Updated IDD6 value on page 47.</li> <li>2. Inserted -18L instead of -2L and changed IDD value about that.</li> <li>3. Revised the (-12)'s, (-1)'s and (-08)'s parameter value at table20 on page 54.</li> </ol>	Apr. 2007	
1.4	1. Updated tFAW from 61 to 48 on page 54.		
1.5	1. Inserted the thermal characteristics table on page 44.	Mar.2008	

## DESCRIPTION

The Hynix HY5RS123235 is a high-speed CMOS, dynamic random-access memory containing 536,870,912 bits.

The Hynix HY5RS123235 is internally configured as a eight-bank DRAM.

The Hynix HY5RS123235 uses a double data rate architecture to achieve high-speed operation. The double data rate architecture is essentially a 4n-prefetch architecture, with an interface designed to transfer two data words per clock cycle at the I/O pins. A single read or write access for the Hynix HY5RS123235 consists of a 4n-bit wide, every two-clock-cycles data transfer at the internal DRAM core and two corresponding n-bit wide, one-half-clock-cycle data transfers at the I/O pins. Read and write accesses to the Hynix HY5RS123235 is burst oriented; accesses start at a selected locations and continue for a programmed number of locations in a programmed sequence. Accesses begin with the registration of an ACTIVE command, which is then followed by a READ or WRITE command. The address bits registered coincident with the ACTIVE command are used to select the bank and row to be accessed (BA0,BA1, BA2 select the bank; A0-A11 select the row). The address bits registered coincident with the READ or WRITE command are used to select the starting column location for the burst access. Prior to normal operation, the Hynix HY5RS123235 must be initialized.

## FEATURES

- 2.05V/ 1.8V/ 1.5V power supply supports  
(For more detail, Please see the Table 12 on page 43)
- Single ended READ Strobe (RDQS) per byte
- Single ended WRITE Strobe (WDQS) per byte
- Internal, pipelined double-data-rate (DDR) architecture; two data accesses per clock cycle
- On Die Termination
- Output Driver Strength adjustment by EMRS
- Calibrated output driver
- Differential clock inputs (CK and CK#)
- Commands entered on each positive CK edge
- RDQS edge-aligned with data for READ; with WDQS center-aligned with data for WRITE
- 8 internal banks for concurrent operation
- CAS Latency: 4~11 (clock)
- Data mask (DM) for masking WRITE data
- 4n prefetch
- Programmable burst lengths: 4, 8
- 32ms, 8K-cycle auto refresh
- Auto precharge option
- Auto Refresh and Self Refresh Modes
- 1.8V Pseudo Open Drain I/O
- Concurrent Auto Precharge support
- tRAS lockout support, Active Termination support
- Programmable Write latency(1, 2, 3, 4, 5, 6)
- Boundary Scan Function with SEN pin
- Mirror Function with MF pin

## ORDERING INFORMATION

Part No.	Power Supply	Clock Frequency	Max Data Rate	Interface	Package
HY5RS123235BFP-08	VDD/VDDQ=2.05V	1200MHz	2400Mbps/pin	POD_18	11mmx14mm 136Ball FBGA
HY5RS123235BFP-1		1000MHz	2000Mbps/pin		
HY5RS123235BFP-11	VDD/VDDQ=1.8V	900MHz	1800Mbps/pin		
HY5RS123235BFP-14		700MHz	1400Mbps/pin		
HY5RS123235BFP-2		500MHz	1000Mbps/pin		
HY5RS123235BFP-14L	VDD/VDDQ=1.5V	700MHz	1400Mbps/pin	POD_15	
HY5RS123235BFP-18L		550MHz	1100Mbps/pin		

**Note)** Above Hynix P/N's and their homogeneous Subcomponents are RoHS (& Lead free) compliant

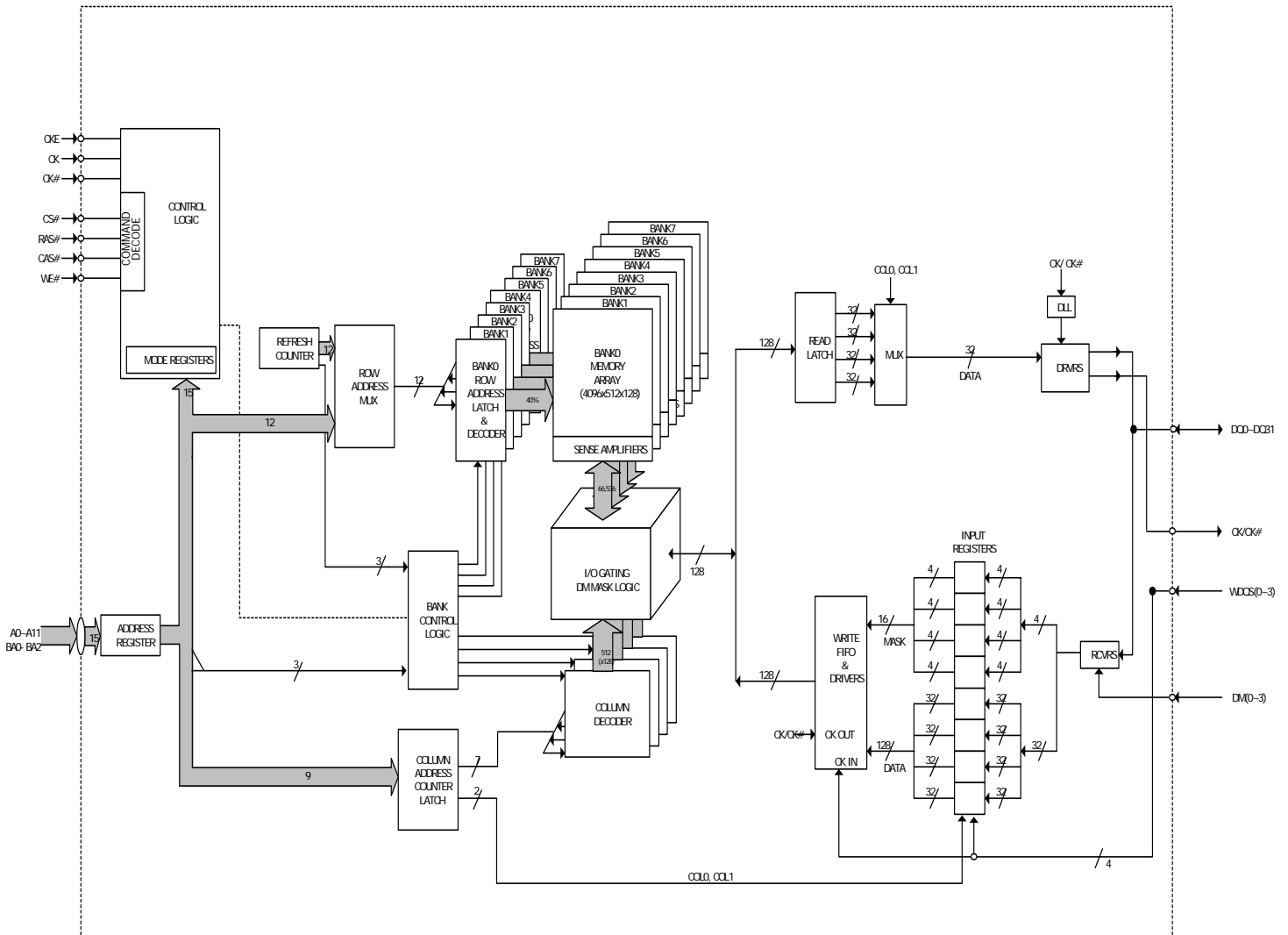
**BALLOUT CONFIGURATION**

	1	2	3	4	5	6	7	8	9	10	11	12
A	VDDQ	VDD	VSS	ZQ					MF	VSS	VDD	VDDQ
B	VSSQ	DQ0	DQ1	VSSQ					VSSQ	DQ9	DQ8	VSSQ
C	VDDQ	DQ2	DQ3	VDDQ					VDDQ	DQ11	DQ10	VDDQ
D	VSSQ	WDQS0	RDQS0	VSSQ					VSSQ	RDQS1	WDQS1	VSSQ
E	VDDQ	DQ4	DM0	VDDQ					VDDQ	DM1	DQ12	VDDQ
F	VDD	DQ6	DQ5	CAS#					CS#	DQ13	DQ14	VDD
G	VSS	VSSQ	DQ7	BA0					BA1	DQ15	VSSQ	VSS
H	VREF	A1	RAS#	CKE					WE#	BA2	A5	VREF
J	VSS	NC	RFU	VDDQ					VDDQ	CK#	CK	VSS
K	VDD	A10	A2	A0					A4	A6	A8/AP	VDD
L	VSS	VSSQ	DQ25	A11					A7	DQ17	VSSQ	VSS
M	VDD	DQ24	DQ27	A3					A9	DQ19	DQ16	VDD
N	VDDQ	DQ26	DM3	VDDQ					VDDQ	DM2	DQ18	VDDQ
P	VSSQ	WDQS3	RDQS3	VSSQ					VSSQ	RDQS2	WDQS2	VSSQ
R	VDDQ	DQ28	DQ29	VDDQ					VDDQ	DQ21	DQ20	VDDQ
T	VSSQ	DQ30	DQ31	VSSQ					VSSQ	DQ23	DQ22	VSSQ
U	VDDQ	VDD	VSS	SEN					RES	VSS	VDD	VDDQ

	<b>16M x 32</b>
Configuration	2M x 32 x 8 banks
Refresh Count	8 k
Bank Address	BA0 - BA2
Row Address	A0~A11
Column Address	A0~A7, A9
AP Flag	A8

## FUNCTIONAL BLOCK DIAGRAM

8Banks x 2Mbit x 32 I/O double Data Rate Synchronous DRAM



**BALLOUT DESCRIPTIONS**

<b>FBGA BALLOUT</b>	<b>SYMBOL</b>	<b>TYPE</b>	<b>DESCRIPTION</b>
J10, J11	CK, CK#	Input	Clock: CK and CK# are differential clock inputs. All address and control input signals are sampled on the crossing of the positive edge of CK and negative edge of CK#.
H4	CKE	Input	Clock Enable: CKE HIGH activates and CKE LOW deactivates the internal clock, input buffers and output drivers. Taking CKE LOW provides PRECHARGE POWER-DOWN and SELF REFRESH operations(all banks idle), or ACTIVE POWER-DOWN (row ACTIVE in any bank). CKE is synchronous for POWER-DOWN entry and exit, and for SELF REFRESH entry. CKE is asynchronous for SELF REFRESH exit and for disabling the outputs. CKE must be maintained HIGH throughout read and write accesses. Input buffers (excluding CK, CK# and CKE) are disabled during POWER-DOWN. Input buffers (excluding CKE) are disabled during SELF REFRESH.
F9	CS#	Input	Chip Select: CS# enables (registered LOW)and disables (registered HIGH) the command decoder. All commands are masked when CS# is registered HIGH. CS# provides for external bank selection on systems with multiple banks. CS# is considered part of the command code.
H3, F4, H9	RAS#, CAS#, WE#	Input	Command Inputs: RAS#, CAS# and WE#(along with CS#) define the command being entered.
E(3, 10), N(3, 10)	DM0-DM3	Input	Input Data Mask: DM is an input mask signal for write data. Input data is masked when DM is sampled HIGH along with that input data during a WRITE access. DM is sampled on rising and falling edges of WDQS.
G(4, 9), H10	BA0 - BA2	Input	Bank Address Inputs: BA0 and BA2 define to which bank an ACTIVE, READ, WRITE or PRECHARGE command is being applied.
H(2, 11), K(2-4, 9-11), L(4, 9), M(4, 9)	A0-A11	Input	Address Inputs: Provide the row address for ACTIVE commands, and the column address and auto precharge bit(A8) for READ/WRITE commands, to select one location out of the memory array in the respective bank. A8 sampled during a PRECHARGE command determines whether the PRECHARGE applies to one bank (A8 LOW, bank selected by BA0 - BA2 ) or all banks (A8 HIGH). The address inputs also provide the op-code during a MODE REGISTER SET command. BA0 and BA1 define which mode register (mode register or extended mode register) is loaded during the LOAD MODE REGISTER command.
B(2, 3), C(2, 3), E2, F(2, 3), G3,B(10, 11), C(10, 11), E11, F(10, 11), G10, L10, M(10, 11), N11, R(10, 11), T(10,11), L3, M(2, 3), N2,R(2, 3), T(2, 3)	DQ0-31	I/O	Data Input/Output:
D(3, 10), P(3, 10)	RDQS0-3	Output	READ Data Strobe: Output with read data. RDQS is edge-aligned with read data.
D(2, 11), P(2, 11)	WDQS0-3	Input	WRITE Data strobe: Input with write data. WDQS is center aligned to the input data.
U4	SEN	Input	Scan Enable Pin. Logic High would enable Scan Mode. Should be tied to GND when not in use. This pin is a CMOS input.
J(2, 3)	NC/RFU		No Connect

**BALLOUT DESCRIPTIONS**
**-CONTINUE**

FBGA Ball Out	SYMBOL	TYPE	DESCRIPTION
A(1, 12), C(1, 4, 9, 12), J(4, 9), N(1, 4, 9, 12), R(1, 4, 9, 12), U(1, 12)	VDDQ	Supply	DQ Power Supply: +1.8V. Isolated on the die for improved noise immunity.
B(1, 4, 9, 12), D(1, 4, 9, 12), G(2, 11), L(2, 11), P(1, 4, 9, 12), T(1, 4, 9, 12)	VSSQ	Supply	DQ Ground: Isolated on the die for improved noise immunity.
A(2, 11), F(1, 12), M(1, 12), U(2, 11) K(1, 12)	VDD	Supply	Power Supply: +1.8V.
A(3, 10), G(1, 12), L(1, 12), U(3, 10) J(1, 12)	VSS	Supply	Ground
H(1, 12)	VREF	Supply	Reference voltage.
A9	MF	Reference	Mirror Function for clamshell mounting of DRAMs
A4	ZQ	Reference	External Reference Pin for autocalibration. It should be connected to RQ(=240Ω)
U9	RES	Reference	Reset Pin. The RES pin is a VDD CMOS input.

**Mirror Function**

The GDDR3 SDRAM provides a mirror function(MF) ball to change the physical location of the control lines and all address lines, assisting in routing devices back to back. The MF ball will affect RAS#, CAS#, WE#, CS# and CKE on balls H3, F4, H9, F9 and H4 respectively and A0, A1, A2, A3, A4, A5, A6, A7, A8, A9, A10, A11, BA0, BA1 and BA2 on balls K4, H2, K3, M4, K9, H11, K10, L9, K11, M9, K2, L4, G4, G9 and H10 respectively and only detects a DC input. The MF ball should be tied directly to VSS or VDD depending on the control line orientation desired.

When MF ball is tied low the ball orientation is as follows. RAS#-H3, CAS#-F4, WE#-H9, CS#-F9, CKE-H4, A0-K4, A1-H2, A2-K3, A3-M4, A4-K9, A5-H11, A6-K10, A7-L9, A8-K11, A9-M9, A10-K2, A11-L4, BA0-G4, BA1-G9 and BA2-H10. The high condition on the MF ball will change the location of the control balls as follows: CS#-F4, cas#-F9, ras#-H10, WE#-H4, CKE-H9, A0-K9, A1-H11, A2-K10, A3-M9, A4-K4, A5-H2, A6-K3, A7-L4, A8-K2, A9-M4, A10-K11, A11-L9, BA0-G9, BA1-G4 and BA2-H3. This Mirror Function does not work under Boundary Scan Test condition.

**Mirror Function Signal Mapping**

PIN	MF LOGIC STATE	
	HIGH	LOW
RAS#	H10	H3
CAS#	F9	F4
WE#	H4	H9
CS#	F4	F9
CKE	H9	H4
A0	K9	K4
A1	H11	H2
A2	K10	K3
A3	M9	M4
A4	K4	K9
A5	H2	H11
A6	K3	K10
A7	L4	L9
A8	K2	K11
A9	M4	M9
A10	K11	K2
A11	L9	L4
BA0	G9	G4
BA1	G4	G9
BA2	H3	H10

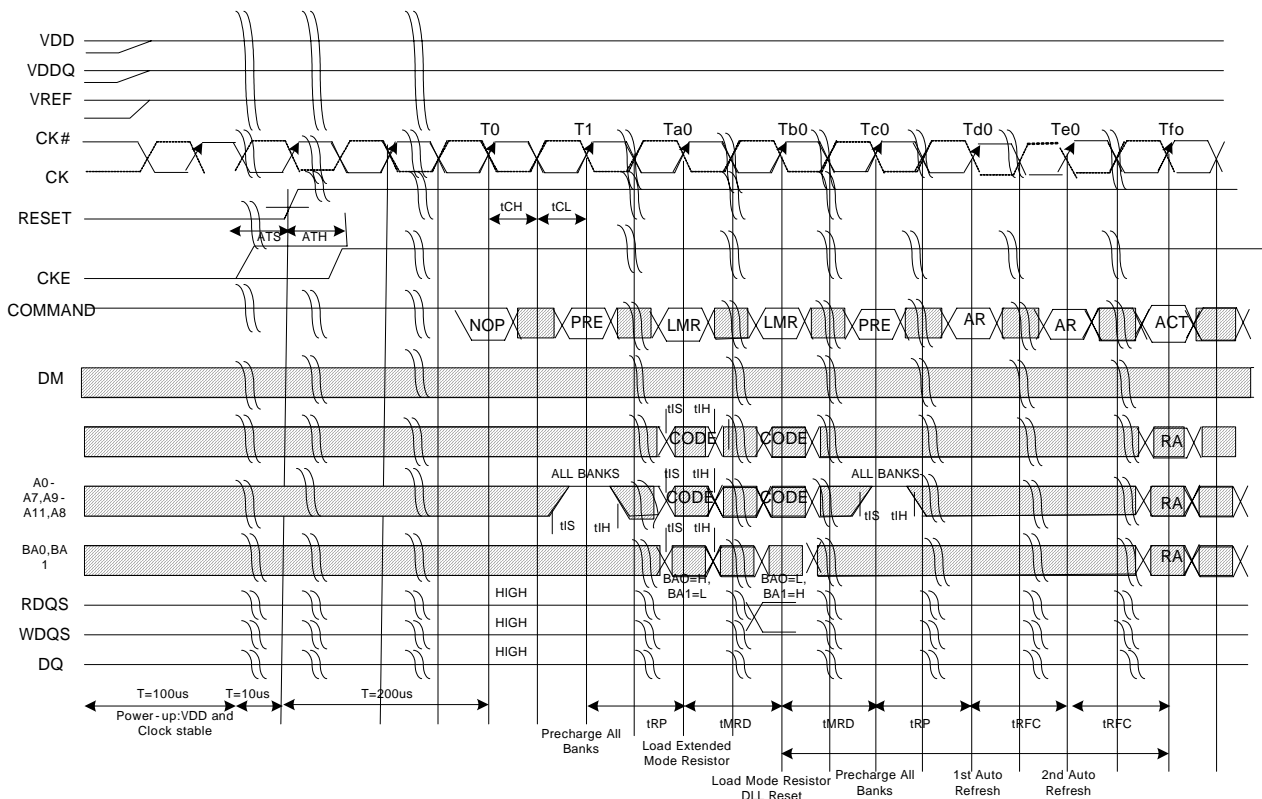
## GDDR3 Initialization and Power Up

GDDR3 SDRAMs must be powered up and initialized in a predefined manner. Operational procedures other than those specified may result in undefined operation. Power must be first applied to VDD and VDDQ simultaneously or VDD first and VDDQ later, and then to VREF. VREF can be applied any time after VDDQ. Once power has been applied and the clocks are stable the GDDR3 device requires 200us before the RES pin transitions to high. Upon power-up and after the clock is stable, the on-die termination value for the address and control pins will be set, based on the state of CKE when the RES pin transitions from LOW to HIGH. On the rising edge of RES, the CKE pin is latched to determine the on die termination value for the address and control lines. If CKE is sampled at a logic LOW then the on die termination will be set to 1/2 of ZQ and, if CKE is sampled logic HIGH then the on die termination will be set to the same value as ZQ. CKE must meet tATS and tATH on the rising of RES to set the on die termination for address and control lines. Once tATH is met, set CKE to HIGH. An additional 200us is required for the address and command on die terminations to calibrate and update.

RES must be maintained at a logic LOW-level value and CS# must be maintained HIGH, during the first stage of power-up to ensure that the DQ outputs will be in a High-Z state(**un-terminated**).

After the RES pin transitions from LOW to HIGH, wait until a 200us delay is satisfied. Issue DESELECT on the command bus during this time. Issue a PRECHARGE ALL command. Next a LOAD MODE REGISTER command must be issued for the extended mode register (BA1 LOW and BA0 HIGH) to activate the DLL and set operating parameters, followed by the LOAD MODE REGISTER command (BA0/BA1 both LOW) to reset the DLL and to program the rest of the operating parameters. 5k clock cycles are required between the DLL reset and any READ command to allow the DLL to lock. A PRECHARGE ALL command should then be applied, placing the device in the all banks idle state.

Once in the idle state, two AUTO REFRESH cycles must be issued. Following these requirements, the GDDR3 SDRAM is ready for normal operation.





## ODT Updating

The GDDR3 SDRAM uses programmable impedance output buffers. This allows a user to match the driver impedance to the system. To adjust the impedance, an external precision resistor (RQ) is connected between the ZQ pin and VSSQ. The value of the resistor must be six times the desired driver impedance. For example, a 240Ω resistor is required for an output impedance of 40Ω. To ensure that output impedance is one-sixth the value of RQ (within 10 percent), RQ should be in the range of 210Ω to 270Ω (30Ω - 50Ω output impedance).

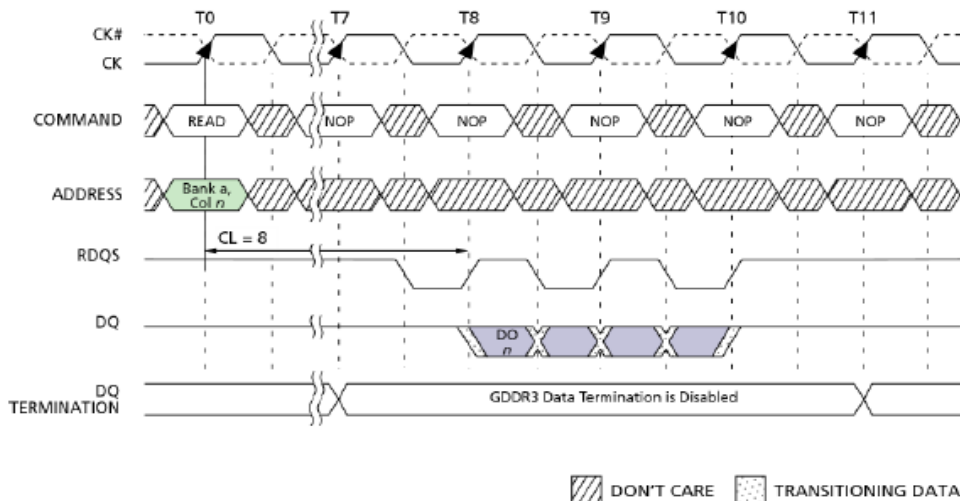
CK and CK# are not internally terminated. CK and CK# will be terminated on the system module using external 1% resistors.

The output impedance and on die termination is updated during every AUTO REFRESH commands to compensate for variations in supply voltage and temperature. The output impedance updates are transparent to the system. Impedance updates do not affect device operation, and all datasheet timings and current specifications are met during an update.

A maximum of eight AUTO REFRESH commands can be posted to any given GDDR3 SDRAM, meaning that the maximum absolute interval between any AUTO REFRESH command and the next AUTO REFRESH command is 8 x 3.9us (31.2us). This maximum absolute interval guarantees that the output drivers and the on die terminations of GDDR3 SDRAMs are recalibrated often enough to keep the impedance characteristics of those within the specified boundaries.

## ODT Control

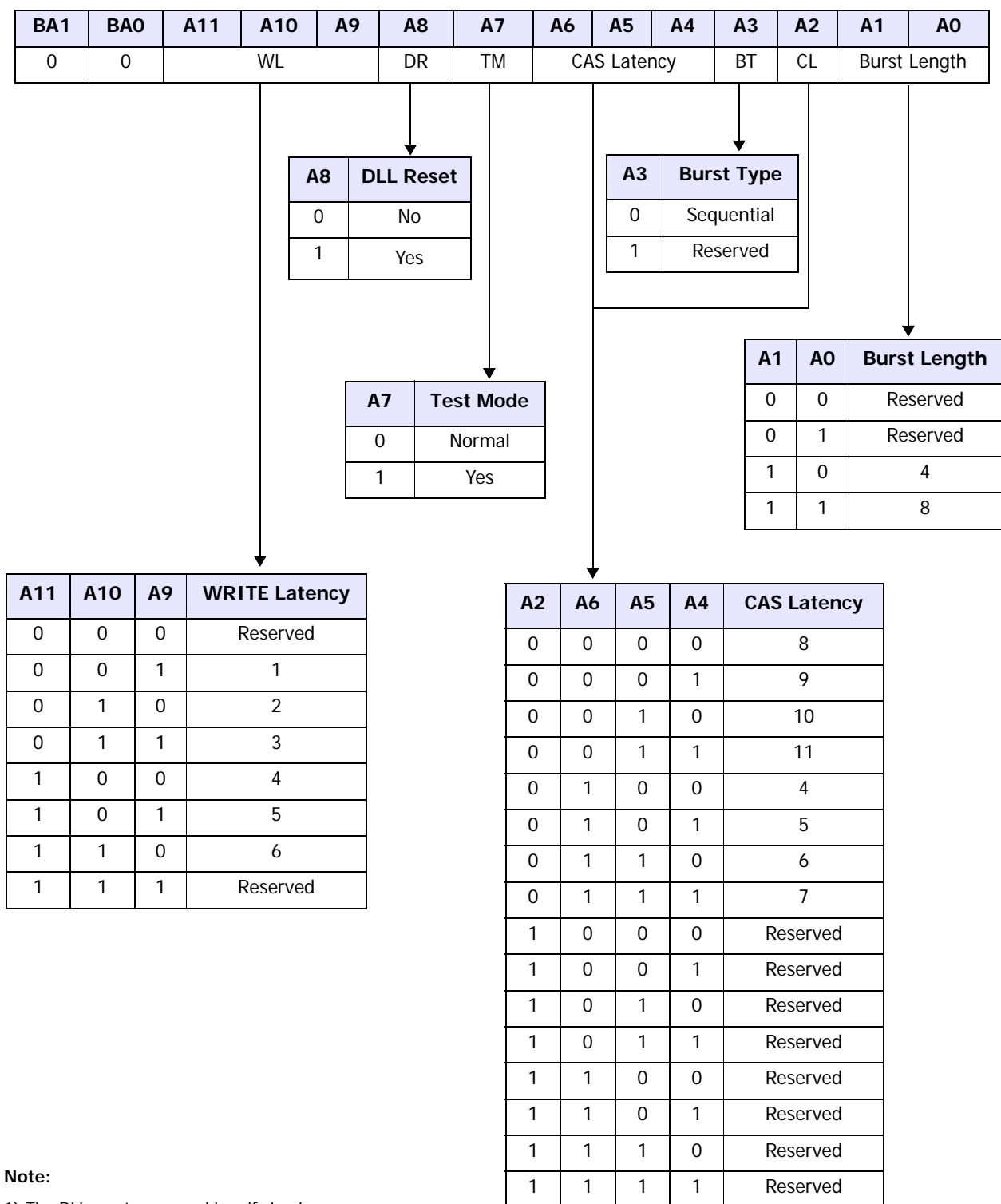
Bus snooping for READ commands other than CS# is used to control the on die termination in the dual load configuration. The GDDR3 SDRAM will disable the DQ and RDQS on die termination when a READ command is detected regardless of the state of CS#. The on die termination is disabled x clocks after the READ command where x equals CL-1 and stay off for a duration of BL/2+2CK. In a two-rank system, both DRAM devices snoop the bus for READ commands to either device and both will disable the on die termination, for the DQ and DQS pins if a READ command is detected. The on die termination for all other pins on the device is always turned-on for both a single-rank system and a dual-rank system unless it is turned off in the EMRS. Only DQ,WDQS and DM pins can turn off through the EMRS.



## Mode Register Definition

The mode register is used to define the specific mode of operation of the GDDR3 SDRAM. This definition includes the selection of a burst length, CAS latency, WRITE latency, and operating mode, as shown in Figure 3, Mode Register Definition, on page 11. The mode register is programmed via the MODE REGISTER SET command (with BA0=0, BA1=0 and BA2=0) and will retain the stored information until it is programmed again or the device loses power (except for bit A8, which is self-clearing). Re-programming the mode register will not alter the contents of the memory. The mode register must be loaded (reloaded) when all banks are idle and no bursts are in progress, and the controller must wait the specified time before initiating any subsequent operation. Violating either of these requirements will result in unspecified operation.

Mode register bits A2-A0 specify the burst length; A3 specifies the type of burst (sequential); A4-A6 specify the CAS latency; A7 is a test mode; A8 specifies the operating mode; and A9-A11 specify the WRITE latency.

**Figure 3: Mode Register Definition**


## Burst Length

Read and write accesses to the GDDR3 SDRAM are burst-oriented, with the burst length being programmable, as shown in Figure3, Mode Register Definition. The burst length determines the maximum number of column locations that can be accessed for a given READ or WRITE command. Burst lengths of 4 or 8 locations are available for the sequential burst type. Reserved states should not be used, as unknown operation or incompatibility with future versions may result. When a READ or WRITE command is issued, a block of columns equal to the burst length is effectively selected. All accesses for that burst take place within this block, meaning that the burst will wrap within the block if a boundary is reached. The block is uniquely selected by A2. Ai when the burst length is set to four and by A3. Ai when the burst length is set to eight (where Ai is the most significant column address bit for a given configuration). The remaining (least significant) address bit(s) is (are) used to select the starting location within the block. The programmed burst length applies to both read and write bursts.

## Burst Type

Accesses within a given burst must be programmed to be sequential; this is referred to as the burst type and is selected via bit A3. This device does not support the interleaved burst mode found in DDR SDRAM devices. The ordering of accesses within a burst is determined by the burst length, the burst type, and the starting column address, as shown in Table3.

**Table 3: Burst Definition**

Burst <sup>1, 2</sup> Length	Starting Column Address			Order of Accesses Within a Burst
				Type=Sequential
4		A1	A0	
		0	0	0-1-2-3
8	A2	A1	A0	
	0	0	0	0-1-2-3-4-5-6-7
	1	0	0	4-5-6-7-0-1-2-3

**NOTE:**

1. For a burst length of four, A2-A7 select the block of four burst; A0-A1 select the starting column within the block and must be set to zero.
2. For a burst length of eight, A3-A7 select the of eight burst; A0-A2 select the starting column within the block.

## CAS Latency

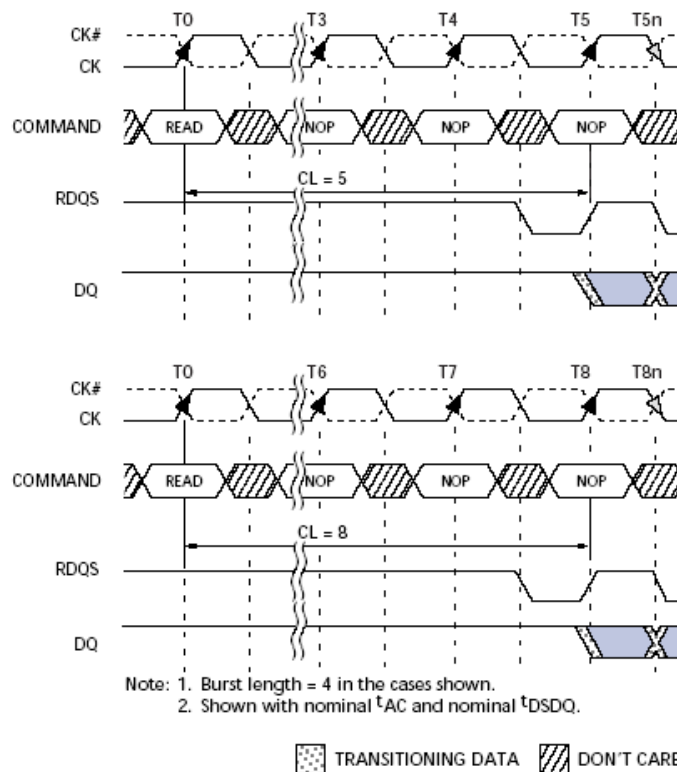
The CAS latency is the delay, in clock cycles, between the registration of a READ command and the availability of the first bit of output data. The latency can be set to 7- 11 clocks, as shown in Figure 4, CAS Latency, on page 13. If a READ command is registered at clock edge  $n$ , and the latency is  $m$  clocks, the data will be available nominally coincident with clock edge  $n + m$ . Table4 indicates the operating frequencies at which each CAS latency setting can be used. For the proper operation, do not change the CL without DLL reset. Or proper CL should be set with DLL reset code

Reserved states should not be used as unknown operation or incompatibility with future versions may result.

**Table 4: CAS Latency**

SPEED	ALLOWABLE OPERATING FREQUENCY (MHz)			
	CL=11	CL=10	CL=9	CL=7
-08	<=1200			
-1	<=1000			
-11		<=900		
-14(L)			<=700	
-18(L)				<=550
-2				<=500

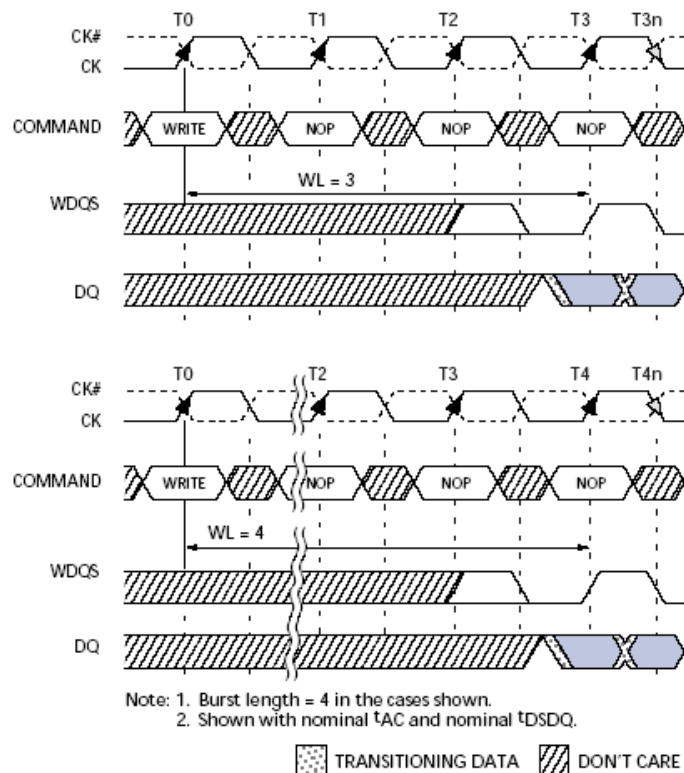
**Figure 4: CAS Latency**



## Write Latency

The WRITE latency (WL) is the delay, in clock cycles, between the registration of a WRITE command and the availability of the first bit of input data as shown in Figure 5. The latency can be set from 1 to 6 clocks depending on the operating frequency and desired current draw. When the write latencies are set to 1 or 4 clocks, the input receivers never turn off, in turn, raising the operating power. When the WRITE latency is set to 5 or 6 clocks the input receivers turn on when the WRITE command is registered. If a WRITE command is registered at clock edge  $n$ , and the latency is  $m$  clocks, the data will be available nominally coincident with clock edge  $n + m$ . Reserved states should not be used as unknown operation or incompatibility with future versions may result.

**Figure 5: WRITE Latency**



## Test Mode

The normal operating mode is selected by issuing a MODE REGISTER SET command with bit A7 set to zero, and bits A0–A6 and A8–A11 set to the desired values. Test Mode is initiated by issuing a MODE REGISTER SET command with bit A7 set to one, and bits A0–A6 and A8–A11 set to the desired values. Test mode functions are specific to each DRAM vendor and their exact function are hidden from the user.

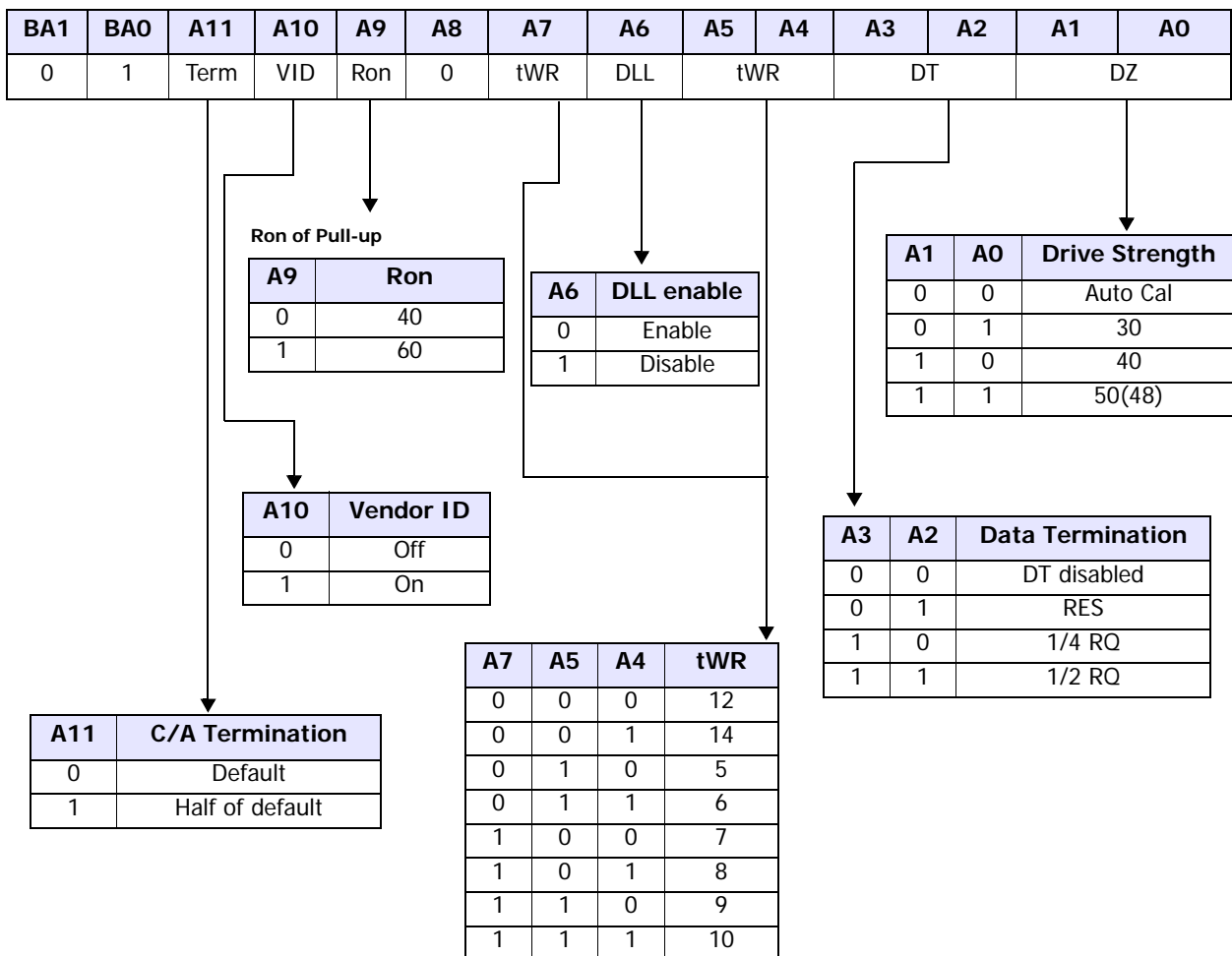
## DLL Reset

The normal operating mode is selected by issuing a MODE REGISTER SET command with bit A8 set to zero, and bits A0–A7 and A9–A11 set to the desired values. A DLL reset is initiated by issuing a MODE REGISTER SET command with bit A8 set to one, and bits A0–A7 and A9–A11 set to the desired values. When a DLL Reset is complete the GDDR3 SDRAM Reset bit, A8 of the mode register is self clearing (i.e. automatically set to a zero by the DRAM). Test modes and reserved states should not be used because unknown operation or incompatibility with future versions may result.

## Extended Mode Register

The extended mode register controls functions beyond those controlled by the mode register; these additional functions are DLL enable/disable, drive strength, data termination, vendor ID. These functions are controlled via the bits shown in Figure 6, Extended Mode Register Definition. The extended mode register is programmed via the LOAD MODE REGISTER command to the mode register (with BA0 = 1, BA1 = 0 and BA2=0) and will retain the stored information until it is programmed again or the device loses power. The enabling of the DLL should always be followed by a LOAD MODE REGISTER command to the mode register (BA0/BA1 both low) to reset the DLL. The extended mode register must be loaded when all banks are idle and no bursts are in progress, and the controller must wait the specified time before initiating any subsequent operation. Violating either of these requirements could result in unspecified operation.

**Figure 6: Extended Mode Register Definition**



**NOTE:**

1. The DT disable function disables all pins.
2. The default setting at Power Up for A3,A2 is 10 or 11
3. If the user activates bits in the extended mode register in an optional field, device will work improperly.
4. The optional values of the drive strength (A1,A0) are only targets and can be determined by the DRAM vendor.
5. WR\_A (write recovery time for autoprecharge) in clock cycles is calculated by dividing tWR (in nS) and rounding up to the next integer (WR[cycles] = tWR(ns)/tCK(ns)). The mode register must be programmed to this value.
6. Default value in C/A Termination is determined by CKE status at the rising edge of RESET during power-up.

## DLL Enable/Disable

The DLL must be enabled for normal operation. DLL enable is required during power-up initialization and upon returning to normal operation after disabling the DLL for debugging or evaluation. (When the device exits self refresh mode, the DLL is enabled automatically.) Any time the DLL is enabled, 5K clock cycles must occur before a READ command can be issued.

## tWR(WR\_A)

The value of tWR in the AC parametrics table on page 49 of this specification is loaded into register bits 5 and 4. The WR\_A (write recovery time for autoprecharge) in clock cycles is calculated by dividing tWR (in ns) and rounding up to the next integer (WR[cycles] = tWR(ns)/tCK(ns)). The mode register must be programmed to this value.

## Data Termination

The data termination value is used to define the value for the on die termination for the DQ, DM, and WDQS pins. The GDDR3 device supports one-quarter ZQ and one-half ZQ termination for a nominal 60 or 120 set with bit A3 and A2 during an EMRS command for a single- or dual-loaded system.

## Data Driver Impedance

The Data Driver Impedance, DZ, is used to determine the value of the data drivers impedance. When auto calibration is used the data driver impedance is set to 1/6 ZQ and it's tolerance is determined by the calibration accuracy of the device. When any other value is selected the target impedance is set nominally to the selected impedance. However, the accuracy is now determined by the device's specific process corner, applied voltage and operating temperature.



## Manufacturers Vendor Code Identification

The Manufacturers Vendor Code, V, is selected by issuing an EXTENDED MODE REGISTER SET command with bits A10 set to 1, and bits A0-A9 and A11 set to the desired values. When the V function is enabled the GDDR3 SDRAM will provide its manufacturers vendor code on DQ[3:0] and revision identification on DQ[7:4]. The code will be driven onto the DQ bus after tIDON with respect to the EMRS that set A10 to 1. The DQ bus will be continuously driven until an EMRS write sets A10 back to 0. The DQ bus will be in a Hi-Z state after tIDOFF. The code can be sampled by the controller after waiting tIDON max and before tIDOFF min.

**Table 5: Vendor IDs**

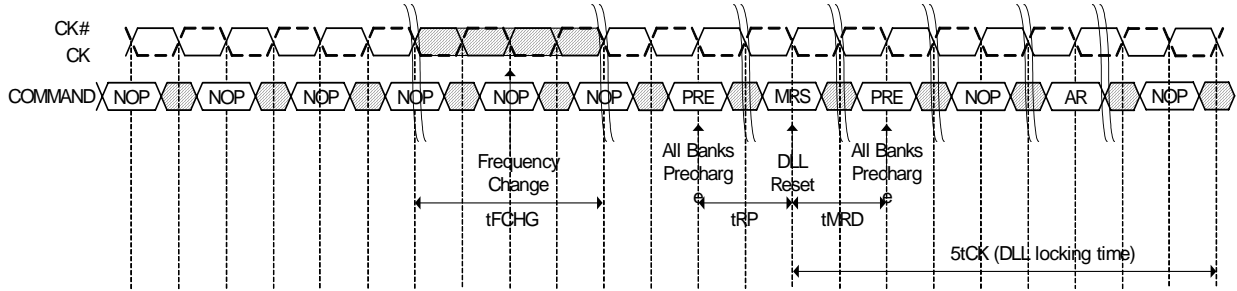
VENDOR	DQ(3:0)
Reserved	0
Samsung	1
Infineon	2
Elpida	3
Etron	4
Nanya	5
<b>Hynix</b>	<b>6</b>
Mosel	7
Winbond	8
ESMT	9
Reserved	A
Reserved	B
Reserved	C
Reserved	D
Reserved	E
Micron	F

## Clock frequency change sequence during the device operation

**Not only Clock frequency but also VDD change sequence as below**

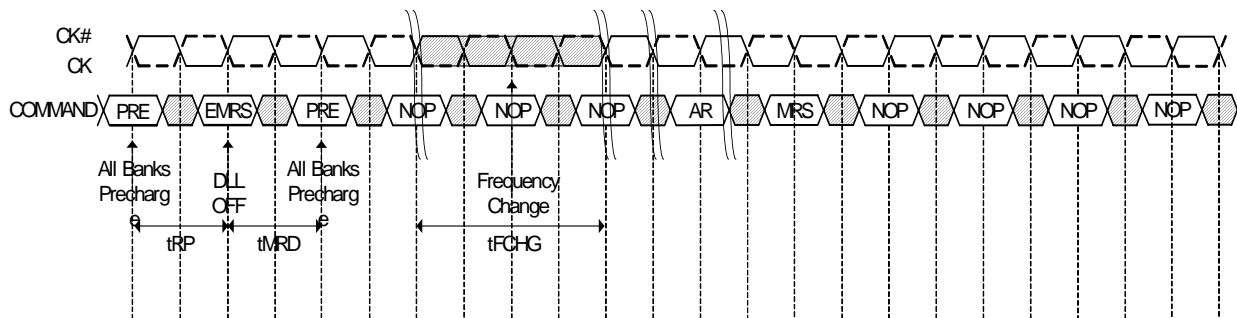
**Both existing tCK and desired tCK are in DLL-On mode**

- Change frequency from existing frequency to desired frequency
- Issue Precharge All Banks command
- Issue MRS command to reset the DLL while other fields are valid and required 5K tCK to lock the DLL
- Issue Precharge All Banks command. Issue at least Auto-Refresh command



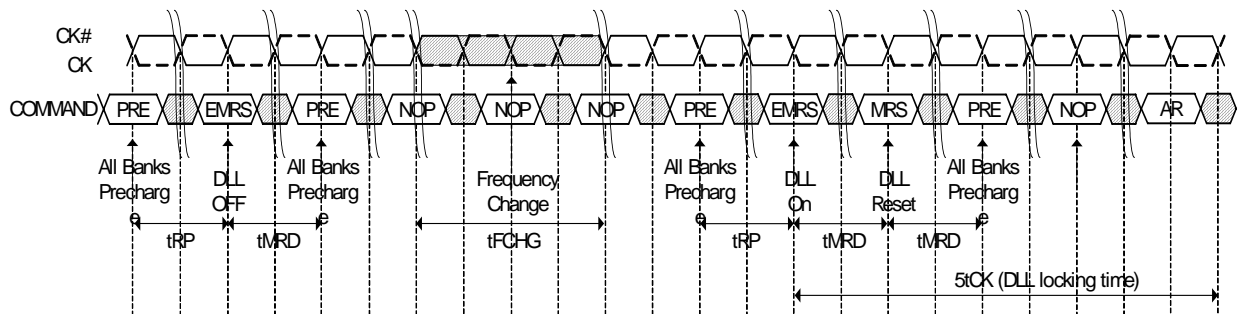
**Existing tCK is in DLL-on mode while desired tCK is in DLL-off mode**

- Issue Precharge All Banks command
- Issue EMRS command to disable the DLL
- Issue Precharge All Banks command
- Change the frequency from existing to desired.
- Issue Auto-Refresh command at least two. Issue MRS command



**Clock frequency change in case existing tCK is in DLL-off mode while desired tCK is in DLL-on mode**

- Issue Precharge All Banks command and issue EMRS command to disable the DLL.
- Issue Precharge All Banks command.
- Change the clock frequency from existing to desired
- Issue Precharge All Banks command.
- Issue EMRS command to enable the DLL
- Issue MRS command to reset the DLL and required 5K tCK to lock the DLL.
- Issue Precharge All Banks command.
- Issue Auto-Refresh command at least two





## Commands

Table 6 provides a quick reference of available commands, followed by a description of each command. Two additional truth tables appear following the Operation section; these tables provide current state/next state information.

**Table 6: Truth Table - Commands**

Note: 1

NAME (FUNCTION)	CS#	RAS#	CAS#	WE#	ADDR	NOTES
DESELECT (NOP)	H	X	X	X	X	8
NO OPERATION (NOP)	L	H	H	H	X	8
ACTIVE (Select bank and activate row)	L	L	H	H	Bank/Row	3
READ (Select bank and column, and start READ burst)	L	H	L	H	Bank/Col	4
WRITE (Select bank and column, and start WRITE burst)	L	H	L	L	Bank/Col	4
PRECHARGE (Deactivate row in bank or banks)	L	L	H	L	Code	5
AUTO REFRESH or SELF REFRESH (Enter self refresh mode)	L	L	L	H	X	6, 7
LOAD MODE REGISTER	L	L	L	L	Op-Code	2
DATA TERMINATOR DISABLE	X	H	L	H	X	10

**Table 7: Truth Table 2 - DM Operation**

NAME (FUNCTION)	DM	DQS	NOTES
Write Enable	L	Valid	9
Write Inhibit	H	X	8

**NOTE:**

1. CKE is HIGH for all commands shown except SELF REFRESH.
2. BA0-BA1 select either the mode register or the extended mode register (BA0 = 0, BA1 = 0 select the mode register; BA0 = 1, BA1 = 0 select extended mode register; other combinations of BA0.BA1 are reserved). A0-A11 provide the opcode to be written to the selected mode register.
3. BA0-BA2 provide bank address and A0-A11 provide row address.
4. BA0-BA2 provide bank address; A0-A7 and A9 provide column address; A8 HIGH enables the auto precharge feature (non-persistent), and A8 LOW disables the auto precharge feature.
5. A8 LOW: BA0-BA2 determine which bank is precharged. A8 HIGH: all banks are precharged and BA0-BA2 are "Don't Care."
6. This command is AUTO REFRESH if CKE is HIGH, SELF REFRESH if CKE is LOW.
7. Internal refresh counter controls row addressing; all inputs and I/Os are Don't Care except for CKE.
8. Deselect and NOP are functionally interchangeable.
9. Used to mask write data; provided coincident with the corresponding data.
10. Used for bus snooping when the DQ termination is set to 120 ohms in the EMR and cannot be used during power-down or self refresh.

## Deselect

The DESELECT function (CS# HIGH) prevents new commands from being executed by the GDDR3 SDRAM. The GDDR3 SDRAM is effectively deselected. Operations already in progress are not affected.

## NO Operation (NOP)

The NO OPERATION (NOP) command is used to instruct the selected GDDR3 SDRAM to perform a NOP(CS# LOW). This prevents unwanted commands from being registered during idle or wait states. Operations already in progress are not affected.

## LOAD MODE REGISTER

The mode registers are loaded via inputs A0~A11. See mode register descriptions in the Register Definition section. The LOAD MODE REGISTER command can only be issued when all banks are idle, and a subsequent executable command cannot be issued until tMRD is met.

## ACTIVE

The ACTIVE command is used to open (or activate) a row in a particular bank for a subsequent access. The value on the BA0~BA2 inputs selects the bank, and the address provided on inputs A0~A11 selects the row. This row remains active (or open) for accesses until a precharge command is issued to that bank. A precharge command must be issued before opening a different row in the same bank.

## READ

The READ command is used to initiate a burst read access to an active row. The value on the BA0~BA2 inputs selects the bank, and the address provided on inputs A0~A7, A9 selects the starting column location. The value on input A8 determines whether or not auto precharge is used. If auto precharge is selected, the row being accessed will be precharged at the end of the read burst; if auto precharge is not selected, the row will remain open for subsequent accesses.

## WRITE

The WRITE command is used to initiate a burst write access to an active row. The value on the BA0~BA2 inputs selects the bank, and the address provided on inputs A0~A7, A9 selects the starting column location. The value on input A8 determines whether or not auto precharge is used. If auto precharge is selected, the row being accessed will be precharged at the end of the write burst; if auto precharge is not selected, the row will remain open for subsequent accesses. Input data appearing on the DQs is written to the memory array subject to the DM input logic level appearing coincident with the data. If a given DM signal is registered LOW, the corresponding data will be written to memory; if the DM signal is registered HIGH, the corresponding data inputs will be ignored and a write will not be executed to that byte/column location.

## PRECHARGE

The PRECHARGE command is used to deactivate the open row in a particular bank or the open row in all banks. The bank(s) will be available for a subsequent row access a specified time (tRP) after the precharge command is issued. Input A8 determines whether one or all banks are to be precharged, and in the case where only one bank is to be precharged, inputs BA0.BA2 select the bank. Otherwise, BA0. BA2 are treated as "Don't Care." Once a bank has been precharged, it is in the idle state and must be activated prior to any READ or WRITE commands being issued to that bank.

A PRECHARGE command will be treated as a NOP if there is no open row in that bank (idle state) or if the previously open row is already in the process of precharging.

## Auto Precharge

Auto precharge is a feature that performs the same individual-bank precharge function described above but without requiring an explicit command. This is accomplished by using A8 to enable auto precharge in conjunction with a specific READ or WRITE command. A precharge of the bank/row that is addressed with the READ or WRITE command is automatically performed upon completion of the READ or WRITE burst. Auto precharge is nonpersistent in that it is either enabled or disabled for each individual Read or Write command. Auto precharge ensures that the precharge is initiated at the earliest valid stage within a burst. This “earliest valid stage” is determined as if an explicit PRECHARGE command was issued at the earliest possible time, without violating tRAS min, as described for each burst type in the Operation section of this data sheet. The user must not issue another command to the same bank until the precharge time (tRP) is completed.

## AUTO REFRESH

The addressing is generated by the internal refresh controller. This makes the address bits a Don't Care during an AUTO REFRESH command. The 512Mb x32 GDDR3 SDRAM requires AUTO REFRESH cycles at an average interval of 3.9us (maximum). A maximum of eight AUTO REFRESH commands can be posted to any given GDDR3 SDRAM, meaning that the maximum absolute interval between any AUTO REFRESH command and the next AUTO REFRESH command is  $9 \times 3.9\text{us}$  (35.1us). This maximum absolute interval allows GDDR3 SDRAM output drivers to automatically recalibrate to compensate for voltage and temperature changes. AUTO REFRESH is used during normal operation of the GDDR3 SDRAM and is analogous to CAS#-BEFORE-RAS# (CBR) refresh in FPM/EDO DRAMs. This command is nonpersistent, so it must be issued each time a refresh is required.

## SELF REFRESH

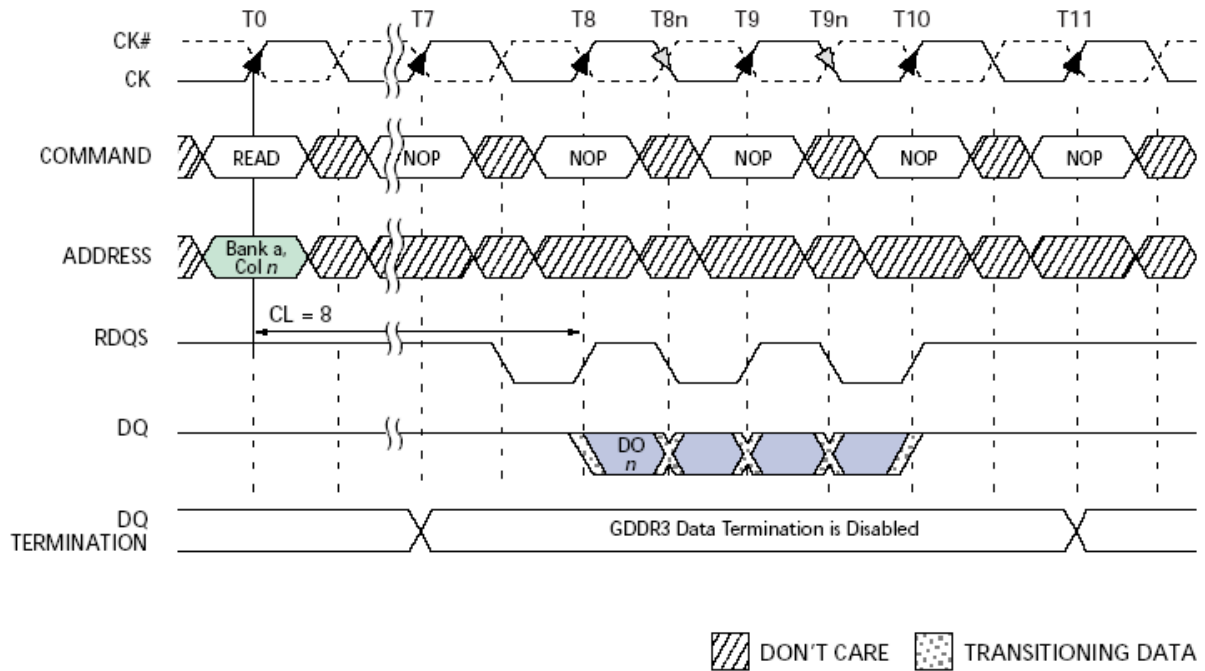
The SELF REFRESH command can be used to retain data in the GDDR3 SDRAM, even if the rest of the system is powered down. When in the self refresh mode, the GDDR3 SDRAM retains data without external clocking. The SELF REFRESH command is initiated like an AUTO REFRESH command except CKE is disabled (LOW). The DLL is automatically disabled upon entering SELF REFRESH and is automatically enabled and reset upon exiting SELF REFRESH. The on-die termination is also disabled upon entering Self Refresh except for CKE and enabled upon exiting Self Refresh. (5K clock cycles must then occur before a READ command can be issued). Input signals except CKE are “Don't Care” during SELF REFRESH. The procedure for exiting self refresh requires a sequence of commands. First, CK and CK# must be stable prior to CKE going back HIGH. Once CKE is HIGH, the GDDR3 SDRAM must have NOP commands issued for tXSNR because time is required for the completion of any internal refresh in progress. A simple algorithm for meeting both refresh and DLL requirements and output calibration is to apply NOPS for 1000 clock cycles before applying any other command to allow the DLL to lock and the output drivers to recalibrate. If the GDDR3 device enters SELF REFRESH with the DLL disabled the GDDR3 device will exit SELF REFRESH with the DLL disabled.

## DATA TERMINATOR DISABLE (BUS SNOOPING FOR READ COMMANDS)

Bus snooping for READ commands other than CS# is used to control the on-die termination in the dual load configuration. The GDDR3 SDRAM will disable the on-die termination when a READ command is detected, regardless of the state of CS#, when the ODT for the DQ pins are set for dual loads (120 ). The on-die termination is disabled x clocks after the READ command where x equals CL-1 and stay off for a duration of  $BL/2 + 2CK$ , as shown in Figure8, Data Termination Disable Timing on page15. In a two-rank system, both DRAM devices snoop the bus for READ commands to either device and both will disable the on-die termination if a READ command is detected. The on-die termination for all other pins on the device are always turned-on for both a single-rank system and a dual-rank system.

## Boundary Scan Test Mode

The 512Mb GDDR3 incorporates a modified boundary scan test mode as an optional feature. This mode doesn't operate in accordance with IEEE Standard 1149.11990. To save the current GDDR3 ballout, this mode will scan the parallel data input and output the scanned data through WDQS0 pin controlled by an add-on pin, SEN which is located at U4 of 136 ball package. You can find the detailed descriptions of this feature on Appendix C (page 62).

**Figure 8: Data Termination Disable Timing**

**NOTE:**

1. DO n = data-out from column n.
2. Burst length = 4.
3. Three subsequent elements of data-out appear in the specified order following DO n.
4. Shown with nominal tAC and tDQSQ.
5. RDQS will start driving high one-half clock cycle prior to the first falling edge.
6. The Data Terminators are disabled starting at CL - 1 and the duration is BL/2 + 2CK.
7. READS to either rank disable both ranks' termination regardless of the logic level of CS#.

## Operations

### Bank/Row Activation

Before any READ or WRITE commands can be issued to a bank within the GDDR3 device, a row in that bank must be "opened."

This is accomplished via the ACTIVE command, which selects both the bank and the row to be activated, as shown in Figure 9, Activating a Specific Row in a Specific Bank. After a row is opened with an ACTIVE command, a READ or WRITE command may be issued to that row, subject to the  $t_{RCD}$  specification.  $t_{RCD}$  min should be divided by the clock period and rounded up to the next whole number to determine the earliest clock edge after the ACTIVE command on which a READ or WRITE command can be entered. For example, a  $t_{RCD}$  specification of 15ns with a 550 MHz clock (1.8ns period) results in 7.5 clocks rounded to 8.

This is reflected in Figure 10, Example: Meeting  $t_{RCD}$ , which covers any cases where  $7 < t_{RCD}/t_{CK} \leq 8$ . The same procedure is used to convert other specification limits from time units to clock cycles. A subsequent ACTIVE command to a different row in the same bank can only be issued after the previous active row has been "closed" (precharged). The minimum time interval between successive ACTIVE commands to the same bank is defined by  $t_{RC}$ . A subsequent ACTIVE command to another bank can be issued while the first bank is being accessed, which results in a reduction of total row-access overhead. The minimum time interval between successive ACTIVE commands to different banks is defined by  $t_{RRD}$ .

Figure 9: Activating a Specific Row in a Specific Bank

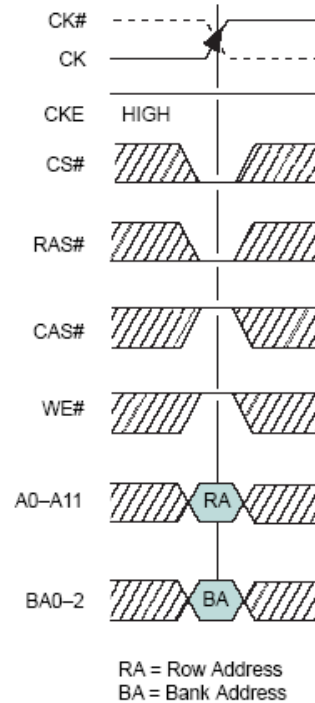
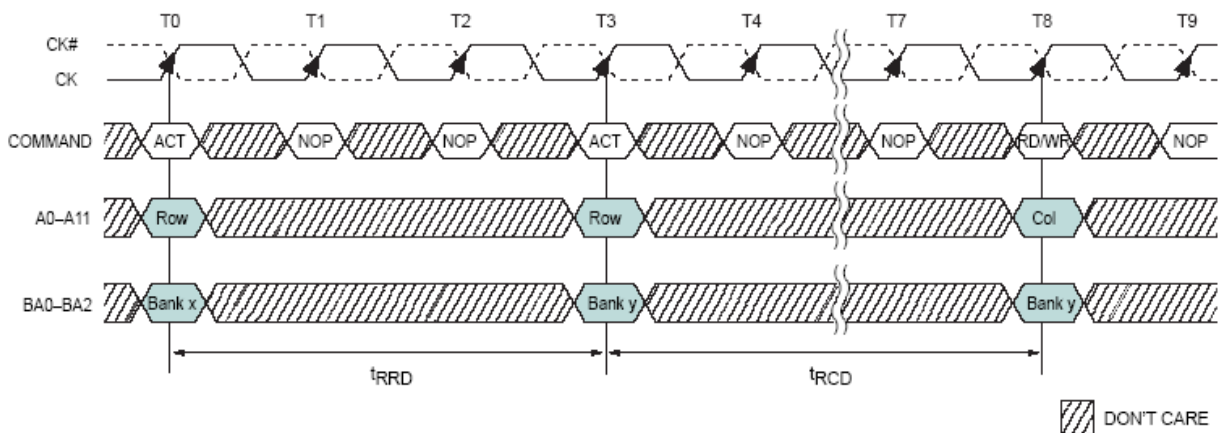


Figure 10: Example: Meeting  $t_{RCD}$





## READ Timing

### **READ burst is initiated with a READ command.**

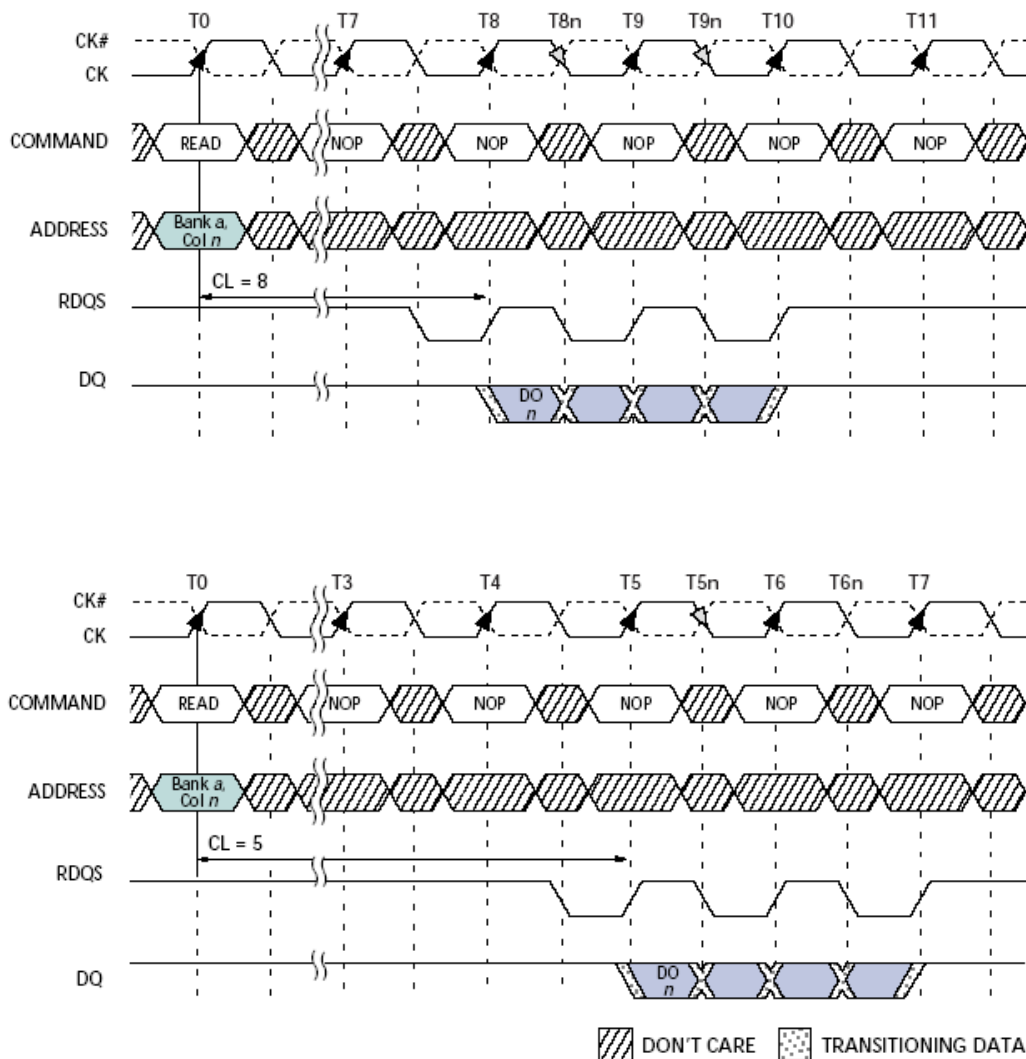
The starting column and bank addresses are provided with the READ command and auto precharge is either enabled or disabled for that burst access with the A8 pin. If auto precharge is enabled, the row being accessed is precharged at the completion of the burst after tRAS min has been met.

During READ bursts, the first valid data-out element from the starting column address will be available following the CAS latency after the READ command. Each subsequent data-out element will be valid nominally at the next positive or negative RDQS edges. The GDDR3 SDRAM drives the output data edge aligned to RDQS. And all outputs, i.e. DQs and RDQS, are also edge aligned to the clock. Prior to the first valid RDQS rising edge, a cycle is driven and specified as the READ preamble. The preamble consists of a half cycle High followed by a half cycle Low driven by the GDDR3 SDRAM. The cycle on RDQS consisting of a half cycle Low coincident with the last data-out element followed by a half cycle High is known as the read postamble, and it will be driven by the SDRAM. The SDRAM toggles RDQS only when it is driving valid data out onto on the bus.

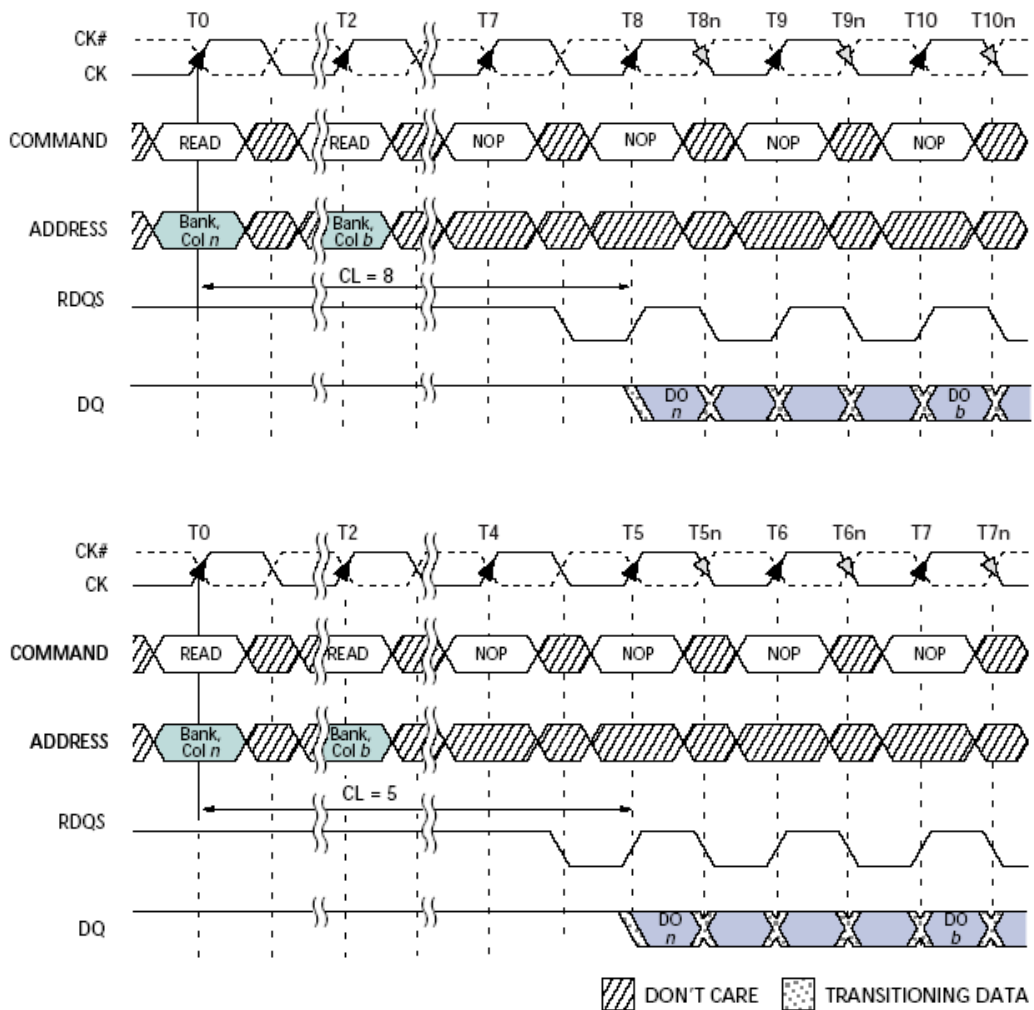
Upon completion of a burst, assuming no other command has been initiated; the DQs and RDQS will go to be in Hi-Z state. VDDQ due to the on die termination. long as the bus turn around time is met. READ data cannot be terminated or truncated.

A PRECHARGE can also be issued to the SDRAM with the same timing restriction as the new READ command if tRAS is met as shown in Figure 17, READ to Precharge, on page 29. A WRITE can be issued any time after a READ command as long as the bus turn around time is met as shown in Figure 16, READ to WRITE, on page 28. READ data cannot be terminated or truncated

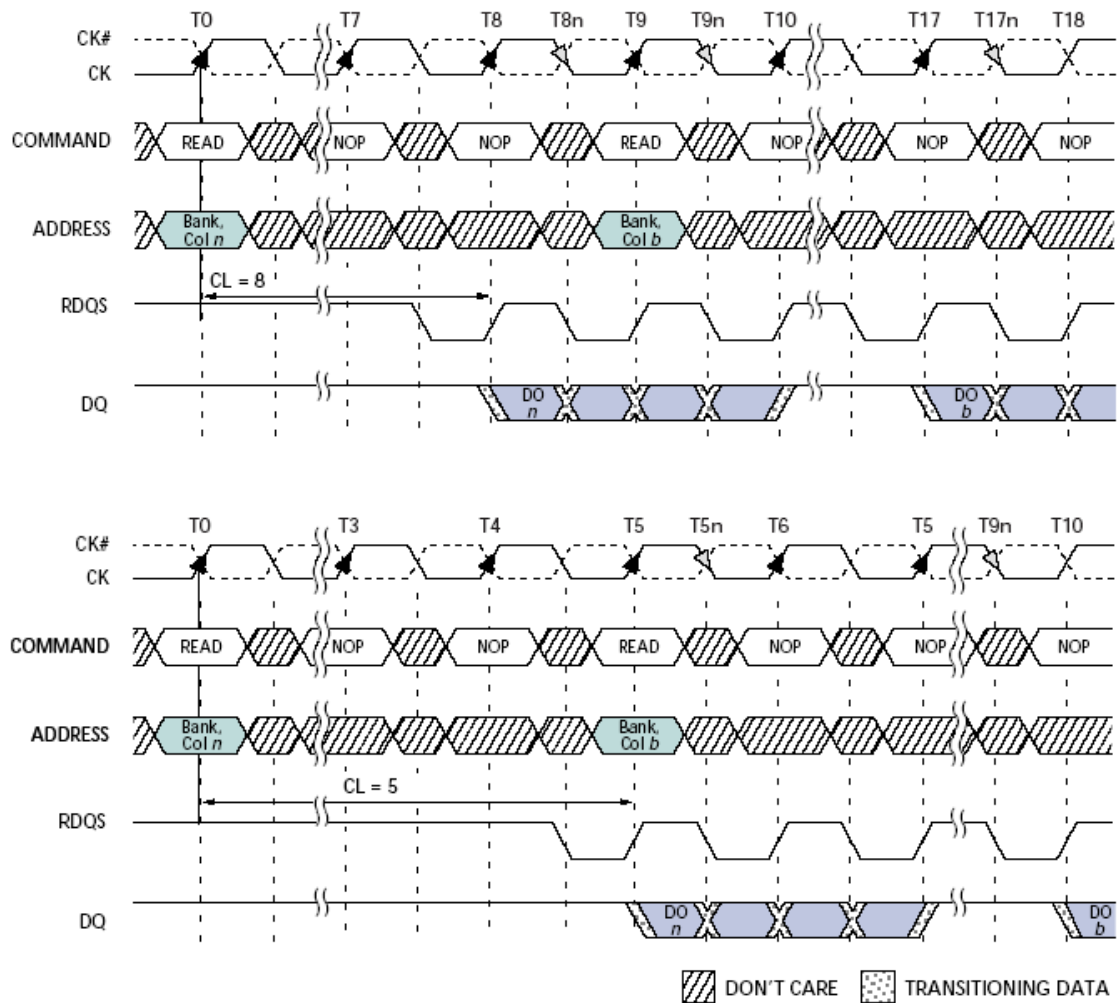
Figure 12: READ Burst


**NOTE:**

1. DO n = data-out from column n.
2. Burst length = 4.
3. Three subsequent elements of data-out appear in the specified order following DO n.
4. Shown with nominal tAC and tDQSQ.
5. RDQS will start driving high one-half clock cycle prior to the first falling edge.

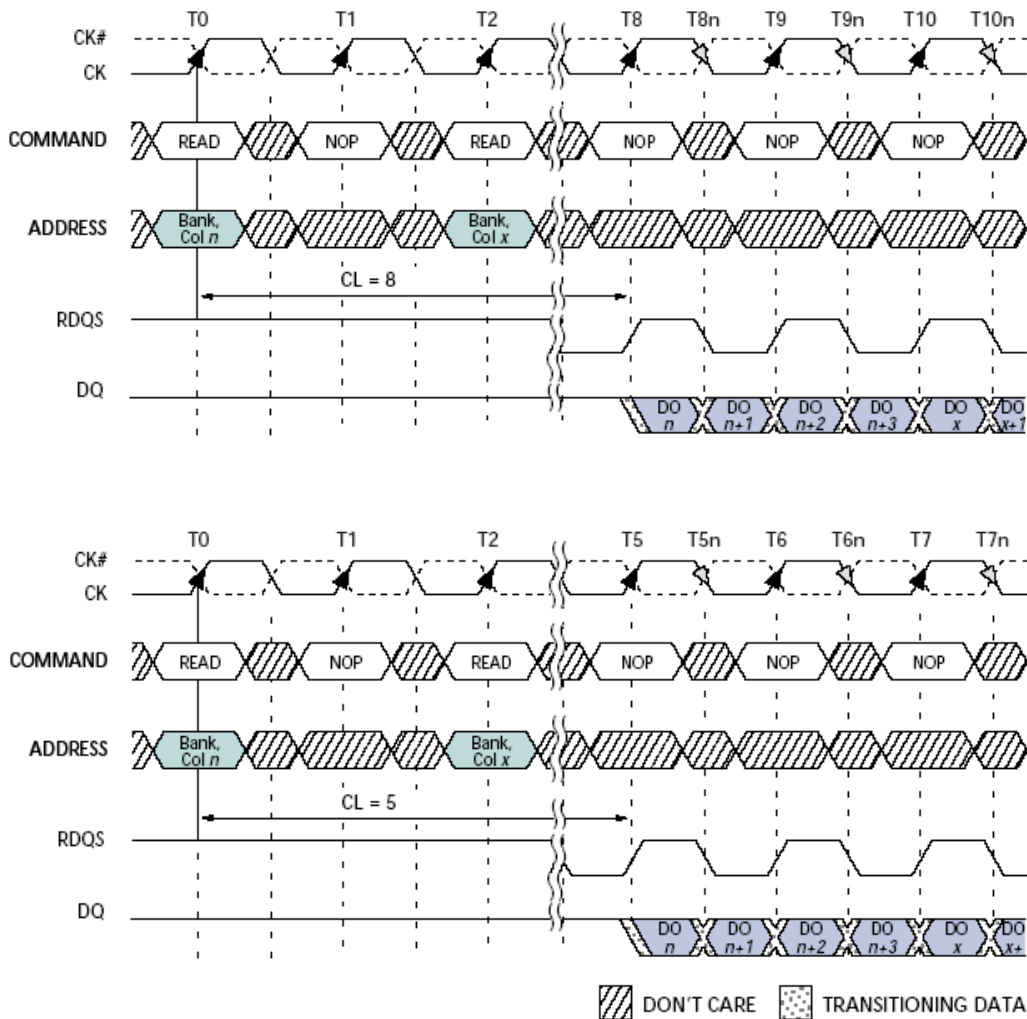
**Figure 13: Consecutive READ Bursts**

**NOTE:**

1. DO n (or b) = data-out from column n (or column b).
2. Burst length = 4
3. Three subsequent elements of data-out appear in the programmed order following DO n.
4. Three subsequent elements of data-out appear in the programmed order following DO b.
5. Shown with nominal tAC, and tDQSQ.
6. Example applies only when READ commands are issued to same device.
7. RDQS will start driving high one half clock cycle prior to the first falling edge of RDQS.

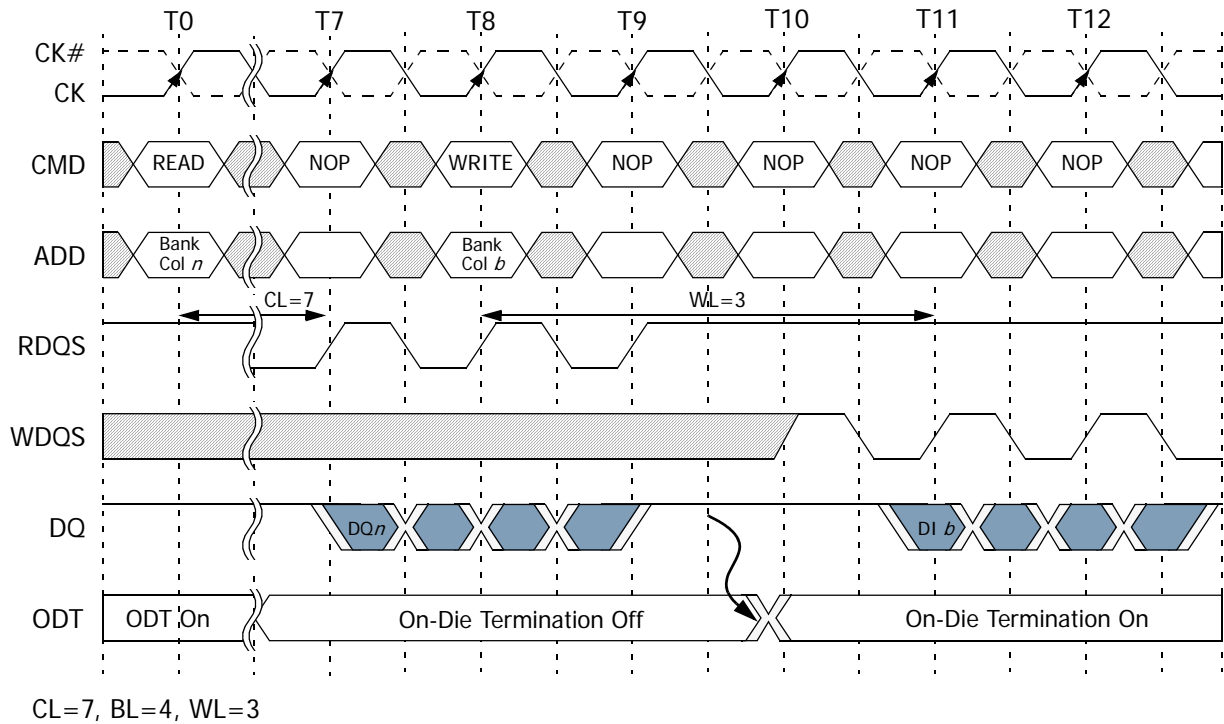
**Figure 14: Non-Consecutive READ Bursts**

**NOTE:**

1. DO n (or b) = data-out from column n (or column b).
2. Burst length = 4.
3. Three subsequent elements of data-out appear in the programmed order following DO n.
4. Three subsequent elements of data-out appear in the programmed order following DO b.
5. Shown with nominal tAC and tDQSQ.
6. Example applies when READ commands are issued to different devices or nonconsecutive READs.
7. RDQS will start driving high one-half clock cycle prior to the first falling edge of RDQS.

Figure 15: Random Read Accesses

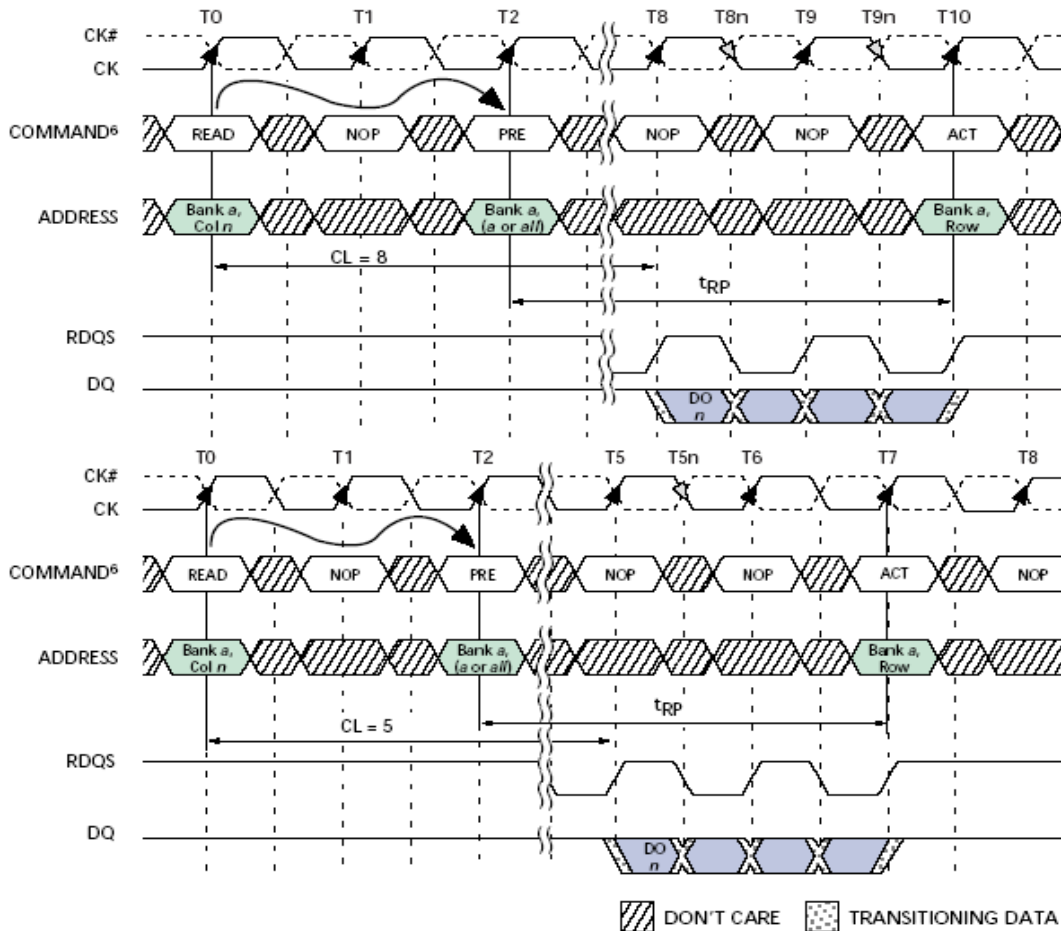

**NOTE:**

1. DO n (or x or b or g) = data-out from column n (or column x or column b or column g).
2. Burst length = 4.
3. READs are to an active row in any banks.
4. Shown with nominal tAC and tDQSQ.
5. RDQS will start driving high one-half clock cycle prior to the first falling edge of RDQS.

**Figure 16: Read to Write**

**NOTE:**

1. DQ *n* = Data-out from column *n*.
2. DI *b* = Data-in from column *b*.
3. Shown with nominal tAC, tDQSQ and tDQSS.
4. Read Preamble consists of a half cycle High followed by a half cycle Low driven by device
5. Write Data cannot be driven onto the DQ bus for 2 clocks after the READ data is off the bus.
6. The timing diagram covers a READ to a WRITE command from different device, different bank or the same row in the same bank.

Figure 17: READ to Precharge


**NOTE:**

1. DO n = data-out from column n.
2. Burst length = 4.
3. Three subsequent elements of data-out appear in the programmed order following DO n.
4. Shown with nominal tAC and tDQSQ.
5. READ to PRECHARGE equals two clocks, which enables two data pairs of data-out.
6. PRE = PRECHARGE command; ACT = ACTIVE command.
7. RDQS will start driving high one-half clock cycle prior to the first falling edge of RDQS.

---

## WRITE Timing

### **WRITE burst is initiated with a WRITE command.**

The starting column and bank addresses are provided with the WRITE command, and auto precharge is either enabled or disabled for that access with the A8 pin. If auto precharge is enabled, the row being accessed is precharged at the completion of the burst.

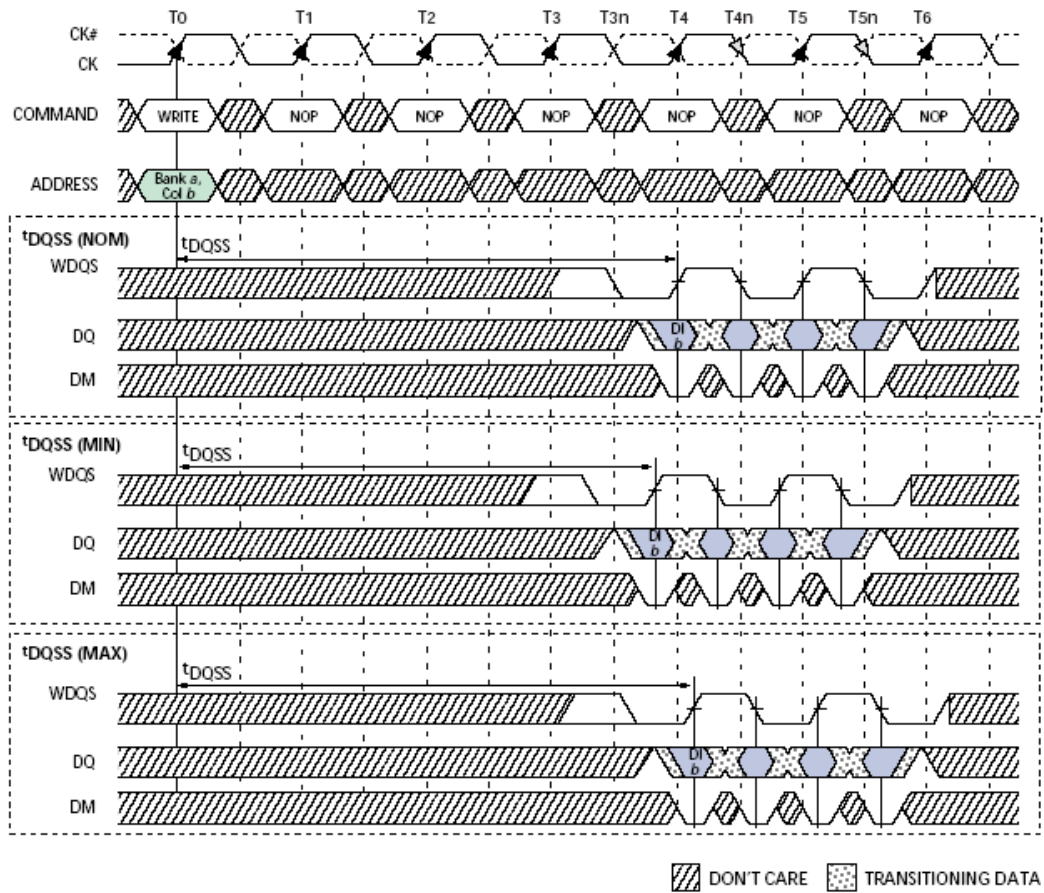
During WRITE bursts, the first valid data-in element will be registered on the rising edge of WDQS following the write latency set in the mode register and subsequent data elements will be registered on successive edges of WDQS. Prior to the first valid WDQS rising edge, a cycle is needed and specified as the WRITE Preamble. The preamble consists of a half cycle High followed by a half cycle Low driven by the controller. The cycle on WDQS following the last data-in element is known as the write postamble and must be driven High by the controller, it can not be left to float High using the on die termination. The WDQS should only toggle on data transfers.

The time between the WRITE command and the first valid rising edge of WDQS (tDQSS) is specified relative to the write latency (WL - 0.25tCK and WL + 0.25tCK). All of the WRITE diagrams show the nominal case, and where the two extreme cases (i.e., tDQSS [MIN] and tDQSS [MAX]) might not be intuitive, they have also been included. Upon completion of a burst, assuming no other command has been initiated, the DQs should remain Hi-Z and any additional input data will be ignored.

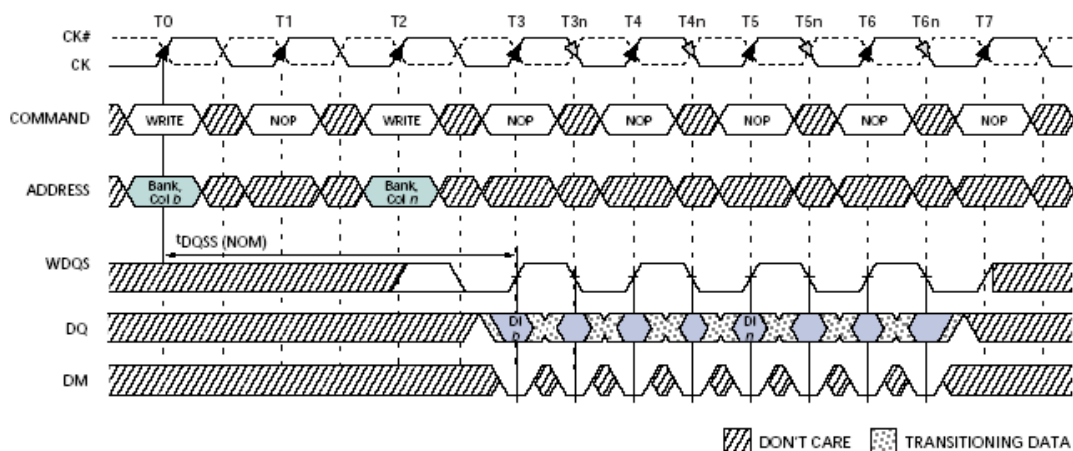
Data for any WRITE burst may not be truncated with any subsequent command. A subsequent WRITE command can be issued on any positive edge of clock following the previous WRITE command assuming the previous burst has completed. The subsequent WRITE command can be issued x cycles after the previous WRITE command, where x equals the number of desired nibbles x2 (nibbles are required by 4n-prefetch architecture) i.e. BL/2. A subsequent READ command can be issued once tWTR is met or a subsequent PRECHARGE command can be issued once tWR is met. After the PRECHARGE command, a subsequent command to the same bank cannot be issued until tRP is met.



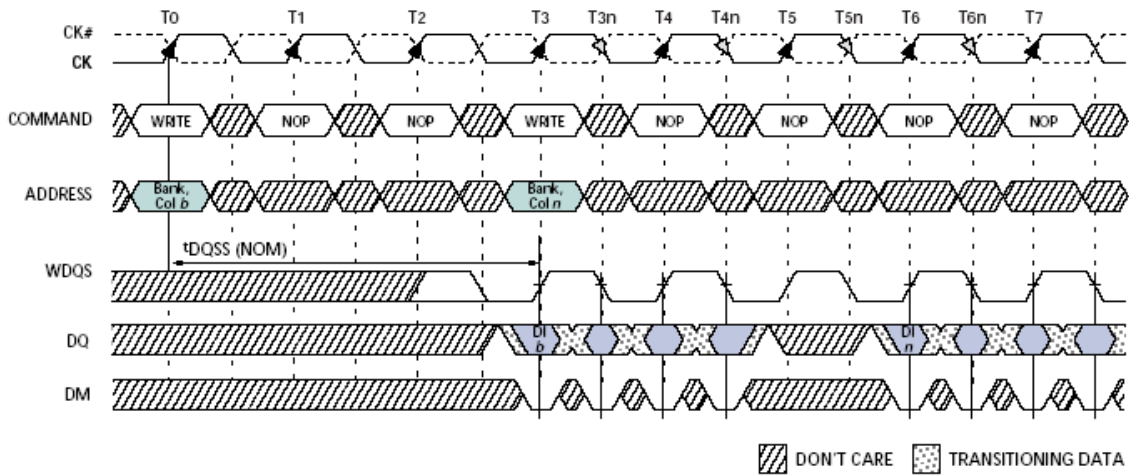
Figure 19: WRITE Burst


**NOTE:**

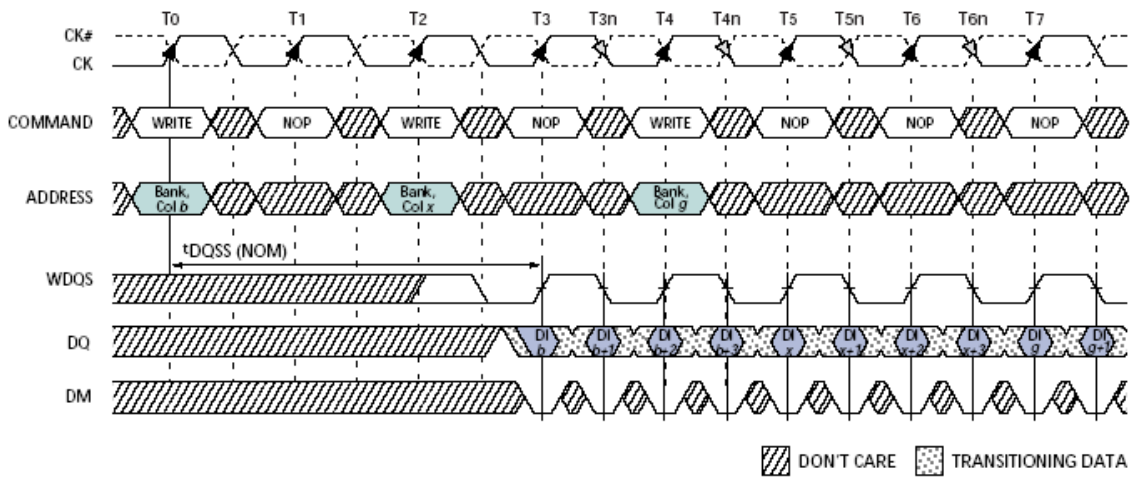
1. DI b = data-in for column b.
2. Three subsequent elements of data-in are applied in the specified order following DI b.
3. A burst of 4 is shown.
4. A8 is LOW with the WRITE command (auto precharge is disabled).
5. Write latency is set to 4.

**Figure 20: Consecutive WRITE to WRITE**

**NOTE:**

1. DI b, etc. = data-in for column b, etc.
2. Three subsequent elements of data-in are applied in the specified order following DI b.
3. Three subsequent elements of data-in are applied in the specified order following DI n.
4. Burst of 4 is shown.
5. Each WRITE command may be to any bank of the same device.
6. WRITE latency is set to 3.

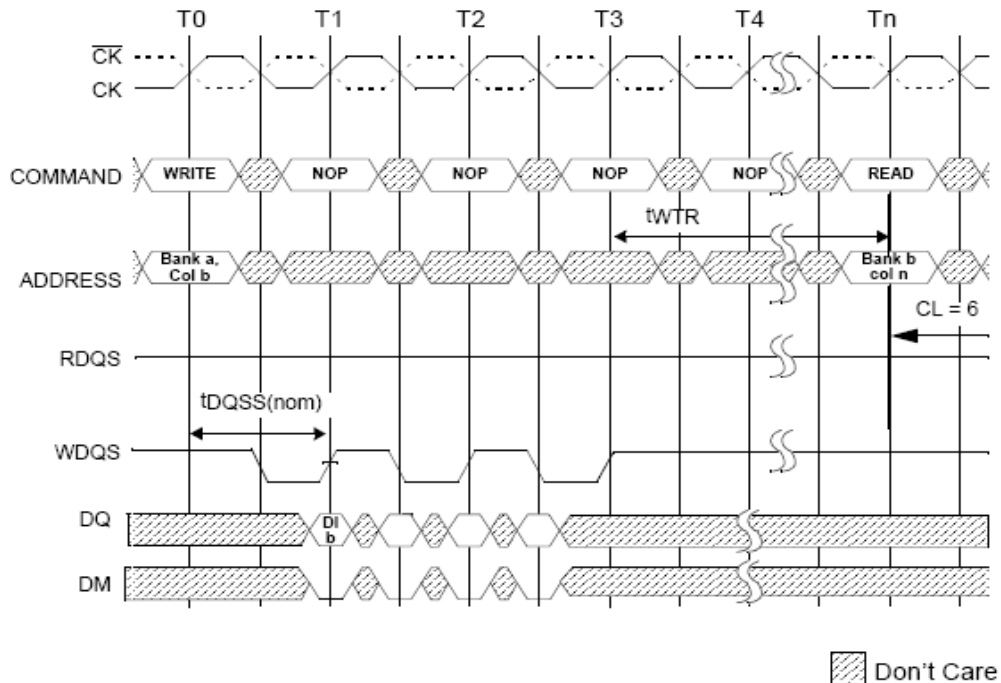
**Figure 21: NonConsecutive WRITE to WRITE**

**NOTE:**

1. DI b, etc. = data-in for column b, etc.
2. Three subsequent elements of data-in are applied in the specified order following DI b.
3. Three subsequent elements of data-in are applied in the specified order following DI n.
4. A burst of 4 is shown.
5. Each WRITE command may be to any banks.
6. WRITE latency set to 3.

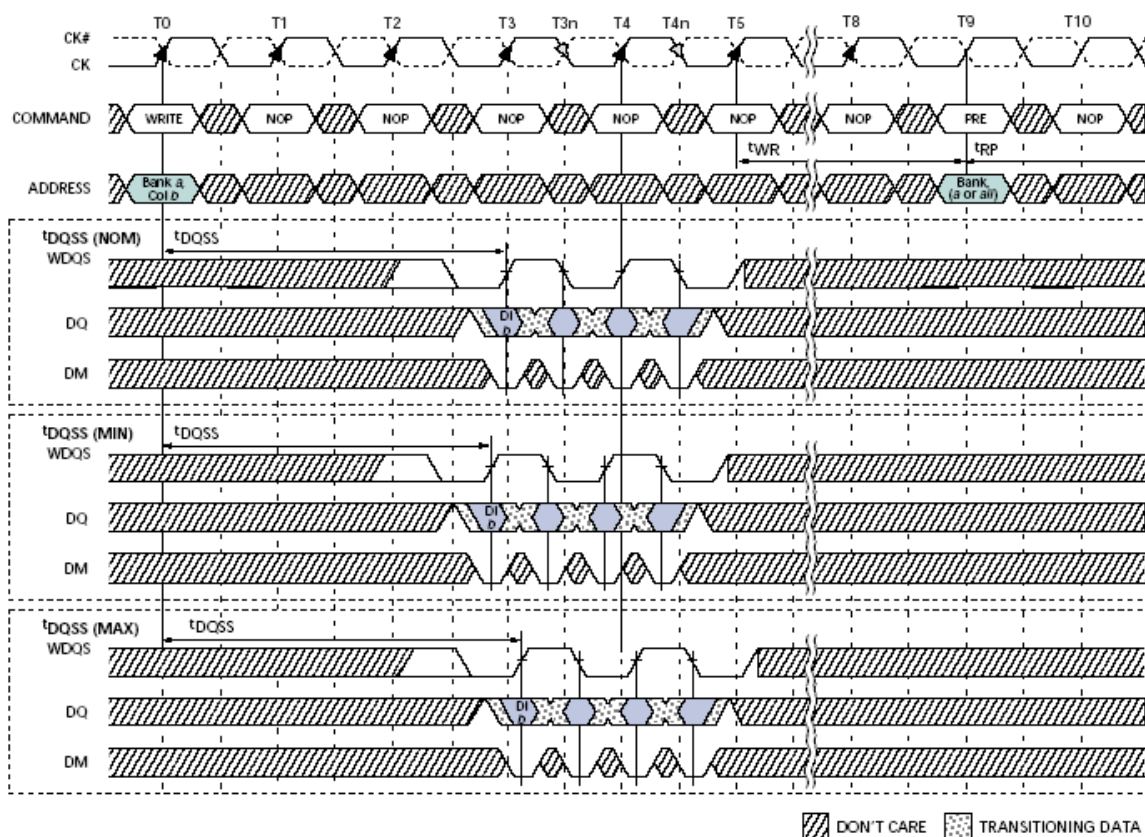
**Figure 22: Random WRITE Cycles**

**NOTE:**

1. DI b, etc. = data-in for column b, etc.
2. b', etc. = the next data-in following DI b, etc., according to the specified burst order.
3. Programmed burst length = 4 case is shown.
4. Each WRITE command may be to any banks.
5. Last write command will have the rest of the nibble on T8 and T8n.
6. WRITE latency is set to 3.

Figure 23: WRITE to READ Timing


**NOTE:**

1. DI b = Data In for column b
2. Three subsequent elements of Data In are applied following D1 b
3. tWTR is referenced from the first positive CK edge after the last Data In
4. The READ and WRITE commands may be to any bank.
5. WRITE Latency is set to 1
6. The 4n prefetch architecture requires a 2-clock WRITE-to-READ turn around time (tWTR).

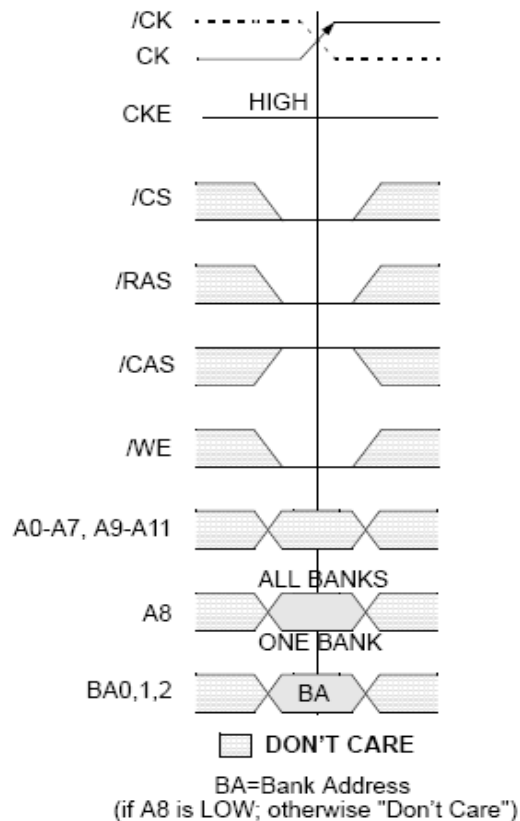
**Figure 24: WRITE to PRECHARGE**

**NOTE:**

1. DI b = data-in for column b.
2. Three subsequent elements of data-in are applied in the specified order following DI b.
3. A burst of 4 is shown.
4. A8 is LOW with the WRITE command (auto precharge is disabled).
5. WRITE latency is set to 3.

## PRECHARGE

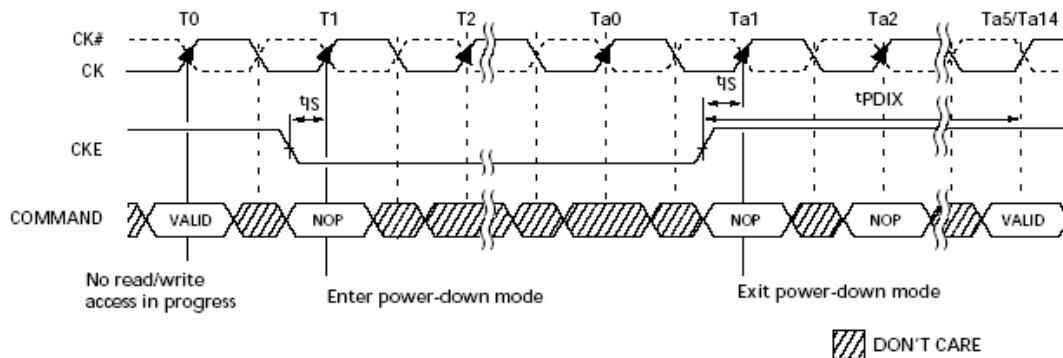
The PRECHARGE command (shown in Figure25) issued to deactivate the open row in a particular bank or the open row in all banks. The bank(s) will be available for a subsequent row access some specified time (TRP) after the precharge command is issued. Input A8 determines whether one or all banks are to be precharged, and in the case where only one bank is to be precharged, inputs BA0-BA2 select the bank. When all banks are to be precharged, inputs BA0-BA2 are treated as "Don't Care." Once a bank has been precharged, it is in the idle state and must be activated prior to any READ or WRITE commands being issued to that bank.

**Figure 25: PRECHARGE Command**



## POWER-DOWN (CKE Not Active)

Unlike SDR SDRAMs, GDDR3 SDRAMs require CKE to be active at all times that an access is in progress: from the issuing of a READ or WRITE command until completion of the burst. For READs, a burst completion is defined when the Read Postamble is satisfied; For WRITEs, a burst completion is defined when the write postamble is satisfied. Power-down (shown in Figure26, Power-Down, on page38) is entered when CKE is registered low. If power-down occurs when all banks are idle, this mode is referred to as precharge power-down; if power-down occurs when there is a row active in any banks, this mode is referred to as active power-down. Entering power-down deactivates the input and output buffers, excluding CK, CK# and CKE. For maximum power savings, the user also has the option of disabling the DLL prior to entering power-down. In that case, the DLL must be enabled and reset after exiting power-down, and 5K clock cycles must occur before a READ command can be issued. However, power-down duration is limited by the refresh requirements of the device, so in most applications, the self refresh mode is preferred over the DLL-disabled power-down mode. While in power-down, CKE LOW and a stable clock signal must be maintained at the inputs of the GDDR3 SDRAM, while all other input signals are "Don't Care." The power-down state is synchronously exited when CKE is registered HIGH (in conjunction with a NOP or DESELECT command). A valid executable command may be applied four clock cycles later.

**Figure 26: Power-Down**

**Table 8: Truth Table - CKE**

Notes: 1~4; notes appear below table

CKEn-1	CKEn	CURRENT STATE	COMMANDn	ACTIONn	NOTES
L	L	Power-Down	X	Maintain Power-Down	
L	L	Self Refresh	X	Maintain Self Refresh	
L	H	Power-Down	DESELECT or NOP	Exit Power-Down	
L	H	Self Refresh	DESELECT or NOP	Exit Self Refresh	5
H	L	All Banks Idle	DESELECT or NOP	Precharge Power-Dwon Entry	
H	L	Bank(s) Active	DESELECT or NOP	Active Power-Down Entry	
H	L	All Banks Idle	AUTO REFRESH	Self Refresh Entry	
H	H		See Truth Table 3		

**NOTE:**

1. CKEn is the logic state of CKE at clock edge n; CKEn-1 was the state of CKE at the previous clock edge.
2. Current state is the state of the GDDR3 SDRAM immediately prior to clock edge n.
3. COMMANDn is the command registered at clock edge n, and ACTIONn is a result of COMMANDn.
4. All states and sequences not shown are illegal or reserved.
5. DESELECT or NOP commands should be issued on any clock edges occurring during the tXSR period. A minimum of 5K clock cycles is needed for the DLL to lock before applying a READ command if the DLL was disabled.



**Table 9: Truth Table - Current State Bank n - Command to Bank n**

Notes: 1~3; notes appear below table

CURRENT STATE	CS#	RAS#	CAS#	WE#	COMMAND/ACTION	NOTES
Any	H	X	X	X	DESELECT (NOP/continue previous operation)	
	L	H	H	H	NO OPERATION (NOP/continue previous operation)	
	L	L	H	H	ACTIVE (select and activate row)	
Idle	L	L	L	H	AUTO REFRESH	4
	L	L	L	L	LOAD MODE REGISTER	4
Row Active	L	H	L	H	READ (select column and start READ burst)	6
	L	H	L	L	WRITE (select column and start WRITE burst)	6
	L	L	H	L	PRECHARGE (deactivate row in bank or banks)	5
Read (Auto Pre-charge Disabled)	L	H	L	H	READ (select column and start new READ burst)	6
	L	H	L	L	WRITE (select column and start WRITE burst)	6, 8
	L	L	H	L	PRECHARGE (truncate READ burst , start Precharge)	5
Write (Auto Pre-charge Disabled)	L	H	L	H	READ (select column and start READ burst)	6, 7
	L	H	L	L	WRITE (select column and start new WRITE burst)	6
	L	L	H	L	PRECHARGE (truncate WRITE burst, start Precharge)	5, 7

**NOTE:**

- This table applies when CKEn-1 was HIGH and CKEn is HIGH (see Truth Table 2) and after tXSNR has been met (if the previous state was self refresh).
- This table is bank-specific, except where noted (i.e., the current state is for a specific bank and the commands shown are those allowed to be issued to that bank when in that state). Exceptions are covered in the notes below.
- Current state definitions:  
 Idle: The bank has been precharged, and tRP has been met.  
 Row Active: A row in the bank has been activated, and tRCD has been met. No data bursts/accesses and no register accesses are in progress.  
 Read: A READ burst has been initiated, with auto precharge disabled.  
 Write: A WRITE burst has been initiated, with auto precharge disabled.
- The following states must not be interrupted by a command issued to the same bank. COMMAND INHIBIT or NOP commands, or allowable commands to the other bank should be issued on any clock edge occurring during these states. Allowable commands to the other bank are determined by its current state and Table9, and according to Table10. Precharging: Starts with registration of a PRECHARGE command and ends when tRP is met. Once tRP is met, the bank will be in the idle state.  
 Row Activating: Starts with registration of an ACTIVE command and ends when tRCD is met. Once tRCD is met, the bank will be in the "row active" state.  
 Read w/Auto-Precharge Enabled: Starts with registration of a READ command with auto precharge enabled and ends when tRP has been met. Once tRP is met, the bank will be in the idle state.  
 Write w/Auto-Precharge Enabled: Starts with registration of a WRITE command with auto precharge enabled and ends when tRP has been met. Once tRP is met, the bank will be in the idle state.
- The following states must not be interrupted by any executable command; COMMAND INHIBIT or NOP commands must be applied on each positive clock edge during these states.  
 Refreshing: Starts with registration of an AUTO REFRESH command and ends when tRC is met. Once tRC is met, the GDDR3 x32 will be in the all banks idle state.  
 Accessing Mode Register: Starts with registration of a LOAD MODE REGISTER command and ends when tMRD has been met. Once tMRD is met, the GDDR3 x32 will be in the all banks idle state.  
 Precharging All: Starts with registration of a PRECHARGE ALL command and ends when tRP is met. Once tRP is met, all banks will be in the idle state. READ or WRITE: Starts with the registration of the ACTIVE command and ends the last valid data nibble.
- All states and sequences not shown are illegal or reserved.
- Not bank-specific; requires that all banks are idle, and bursts are not in progress.
- May or may not be bank-specific; if multiple banks are to be precharged, each must be in a valid state for precharging.
- Reads or Writes listed in the Command/Action column include Reads or Writes with auto precharge enabled and Reads or Writes with auto precharge disabled.
- Requires appropriate DM masking.
- A WRITE command may be applied after the completion of the READ burst

**Table 10: Truth Table - Current State Bank n - Command to Bank m**

Notes: 1~5; notes appear below table

CURRENT STATE	CS#	RAS#	CAS#	WE#	COMMAND/ACTION	NOTES
Any	H	X	X	X	DESELECT (NOP/continue previous operation)	
	L	H	H	H	NO OPERATION (NOP/continue previous operation)	
Idle	X	X	X	X	Any Command Otherwise Allowed to Bank m	
Row Activating, Active, or Precharging	L	L	H	H	ACTIVE (select and activate row)	
	L	H	L	H	READ (select column and start READ burst)	6
	L	H	L	L	WRITE (select column and start WRITE burst)	6
	L	L	H	L	PRECHARGE	
Read (Auto Precharge Disabled)	L	L	H	H	ACTIVE (select and activate row)	
	L	H	L	H	READ (select column and start new READ burst)	6
	L	H	L	L	WRITE (select column and start WRITE burst)	6
	L	L	H	L	PRECHARGE	
Write (Auto Precharge Disabled)	L	L	H	H	ACTIVE (select and activate row)	
	L	H	L	H	READ (select column and start READ burst)	6, 7
	L	H	L	L	WRITE (select column and start new WRITE burst)	6
	L	L	H	L	PRECHARGE	
Read (With Auto Precharge)	L	L	H	H	ACTIVE (select and activate row)	
	L	H	L	H	READ (select column and start new READ burst)	6
	L	H	L	L	WRITE (select column and start WRITE burst)	6
	L	L	H	L	PRECHARGE	
Write (With Auto Precharge)	L	L	H	H	ACTIVE (select and activate row)	
	L	H	L	H	READ (select column and start READ burst)	6
	L	H	L	L	WRITE (select column and start new WRITE burst)	6
	L	L	H	L	PRECHARGE	

**NOTE:**

- This table applies when CKEn-1 was HIGH and CKEn is HIGH (see Table9) and after tXSNR has been met (if the previous state was self refresh).
- This table describes alternate bank operation, except where noted (i.e., the current state is for bank n and the commands shown are those allowed to be issued to bank m, assuming that bank m is in such a state that the given command is allowable). Exceptions are covered in the notes below.
- Current state definitions:
  - Idle: The bank has been precharged, and tRP has been met.
  - Row Active: A row in the bank has been activated, and tRCD has been met. No data bursts/accesses and no register accesses are in progress.
  - Read: A READ burst has been initiated, with auto precharge disabled.
  - Write: A WRITE burst has been initiated, with auto precharge disabled.
  - Read with Auto Precharge Enabled: See following text
  - Write with Auto Precharge Enabled: See following text

3a. The read with auto precharge enabled or write with auto precharge enabled states can each be broken into two parts: the access period and the precharge period. For read with auto precharge, the precharge period is defined as if the same burst was executed with auto precharge disabled and then followed with the earliest possible PRECHARGE command that still accesses all of the data in the burst. For write with auto precharge, the precharge period begins when tWR ends, with tWR measured as if auto precharge was disabled. The access period starts with registration of the command and ends where the precharge period (or tRP) begins. During the precharge period of the read with auto precharge enabled or write with auto precharge enabled states, ACTIVE, PRECHARGE, READ and WRITE commands to the other bank may be applied. In either case, all other related limitations apply (e.g., contention between read data and write data must be avoided).

3b. The minimum delay from a READ or WRITE command with auto precharge enabled, to a command to a different bank is summarized below.

4. AUTO REFRESH and LOAD MODE REGISTER commands may only be issued when all banks are idle.

5. All states and sequences not shown are illegal or reserved.

6. READs or WRITEs listed in the Command/Action column include READs or WRITEs with auto precharge enabled and READs or WRITEs with auto precharge disabled.

7. Requires appropriate DM masking.

**Table 11: Minimum Delay Between Commands to Different Banks with Auto Precharge Enabled**

From Command	To Command	Minimum delay (with concurrent auto precharge)
WRITE with AUTO PRECHARGE	READ or READ with AUTO PRECHARGE	$[WL + (BL/2)] tCK + tWTR$
	WRITE or WRITE with AUTO PRECHARGE	$(BL/2) tCK$
	PRECHARGE	1 tCK
	ACTIVE	1 tCK
READ with AUTO PRECHARGE	READ or READ with AUTO PRECHARGE	$(BL/2) * tCK$
	WRITE or WRITE with AUTO PRECHARGE	$[CL + (BL/2) + 2 - WL] * tCK$ <sup>1)</sup>
	PRECHARGE	1 tCK
	ACTIVE	1 tCK

**NOTE:**

CL = CAS latency (CL) rounded up to the next integer.

BL = Burst length.

WL = WRITE latency.

<sup>1)</sup> Write Data cannot be driven onto the DQ bus for 2 clocks after the READ data is off the bus.(refer to Fig16. on the page29)

**Absolute Maximum Ratings\***

Voltage on Vdd Supply  
 Relative to Vss .....-0.5V to +2.5V  
 Voltage on VddQ Supply  
 Relative to Vss .....-0.5V to +2.5V  
 Voltage on Vref and Inputs  
 Relative to Vss .....-0.5V to +2.5V  
 Voltage on I/O Pins  
 Relative to Vss .....-0.5V to VddQ +0.5V  
 MAX Junction Temperature, TJ .....+125  
 Storage Temperature (plastic).....-55 to +150  
 Power Dissipation.....TBD  
 Short Circuit Output Current.....50mA

\* Stresses greater than those listed may cause permanent damage to the device. This is a stress rating only, and functional operation of the device at these or any other conditions above those indicated in the operational sections of this specification is not implied. Exposure to absolute maximum rating conditions for extended periods may affect reliability.

**Table 12: Thermal Characteristics**

PARAMETER	Description	Value	UNIT	NOTES
TC	Case Temperature	115.0		7
TJ	Junction Temperature	124.2		7
Theta_JA	Thermal resistance junction to ambient	31.5	/W	1,2,3,4,5,7
Theta_JC	Thermal resistance junction to case	4.9	/W	1,2,6,7

Note:

1. Measurement procedures for each parameter must follow standard procedures defined in the current JEDEC JESD-51 standard.
2. Theta\_JA and Theta\_JC must be measured with the high effective thermal conductivity test board defined in JESD51-7
3. Airflow information must be documented for Theta\_JA.
4. Theta\_JA should only be used for comparing the thermal performance of single packages and not for system related junction.
5. Theta\_JA is the natural convection junction-to-ambient air thermal resistance measured in one cubic foot sealed enclosure as described in JESD-51. The environment is sometimes referred to as "still-air" although natural convection causes the air to move.
6. Theta\_JC case surface is defined as the "outside surface of the package (case) closest to the chip mounting area when that same surface is properly heat sunk" so as to minimize temperature variation across that surface.
7. Test condition : Voltage 2.15V(Maximum voltage) / Frequency : 1Ghz

**Table 13: DC Electrical Characteristics and Operating Conditions**

(Recommended operating conditions; 0 ≤ TC ≤ 85 )

PARAMETER/CONDITION	SYMBOL	MIN	TYP	MAX	UNITS	Remark
Supply Voltage / I/O Supply Voltage	VDD/ VDDQ	1.95	2.05	2.15	V	1
		1.7	1.8	2.15	V	2
		1.455	1.5	1.545	V	3
I/O Reference Voltage	VREF	0.69xVDDQ	0.70xVDDQ	0.71xVDDQ	V	
Input High (Logic 1) Voltage	VIH(DC)	VREF+0.15	-	-	V	
Input Low (Logic 0) Voltage	VIL(DC)	-	-	VREF-0.15	V	
INPUT LEAKAGE CURRENT Any Input 0V ≤ Vin ≤ Vdd (All other pins not under test = 0V)	II	-5	-	5	uA	
OUTPUT LEAKAGE CURRENT (DQs are disabled; 0V ≤ Vout ≤ VddQ)	IOZ	-5	-	5	uA	
OUTPUT Logic Low	VOL(DC)	-	-	0.76	V	

**NOTE :**

1. It supports 1G/1.2GHz speed at HY5RS123235BFP-1/ 08.
2. It supports 500/700/900MHz speed at HY5RS123235BFP-2 / 14 / 11.
3. It supports 550/700MHz speed at HY5RC123235BFP-18L / 14L.

**Table 14: AC Input Operating**

(Recommended operating conditions; 0 ≤ TC ≤ 85 )

PARAMETER/CONDITION	SYMBOL	MIN	TYP	MAX	UNITS
Input High (Logic 1) Voltage; DQ	VIH(AC)	VREF+0.250	-	-	V
Input Low (Logic 0) Voltage; DQ	VIL(AC)	-	-	VREF-0.250	V
Clock Input Differential Voltage; CK and CK#	Vid(AC)	0.22	-	VDDQ+0.3	V
Clock Input Crossing Point Voltage; CK and CK#	Vix(AC)	VREF-0.15	-	VREF+0.15	V

---

**OUTPUT IMPEDANCE AND TERMINATION DC ELECTRICAL CHARACTERISTICS**

The Driver and Termination impedances are determined by applying VDDQ/2 nominal (0.9v) at the corresponding input or output and by measuring the current flowing into or out of the device. VDDQ is set to the nominal 1.8v.

- IOH is the current flowing out of DQ when the Pull-up transistor is activated and the DQ termination is disabled
- IOL is the current flowing out of DQ when the Pull-down transistor is activated and the DQ termination is disabled
- ITCAH(ZQ/2) is the current flowing out of the Termination of Commands and Addresses for a ZQ/2 termination value
- ITCAH(ZQ) is the current flowing out of the Termination of Commands and Addresses for a ZQ termination value.
- ITDQH(ZQ/4) is the current flowing out of the Termination of the DQs for a ZQ/4 termination value.
- ITDQH(ZQ/2) is the current flowing out of the Termination of the DQs for a ZQ/2 termination value

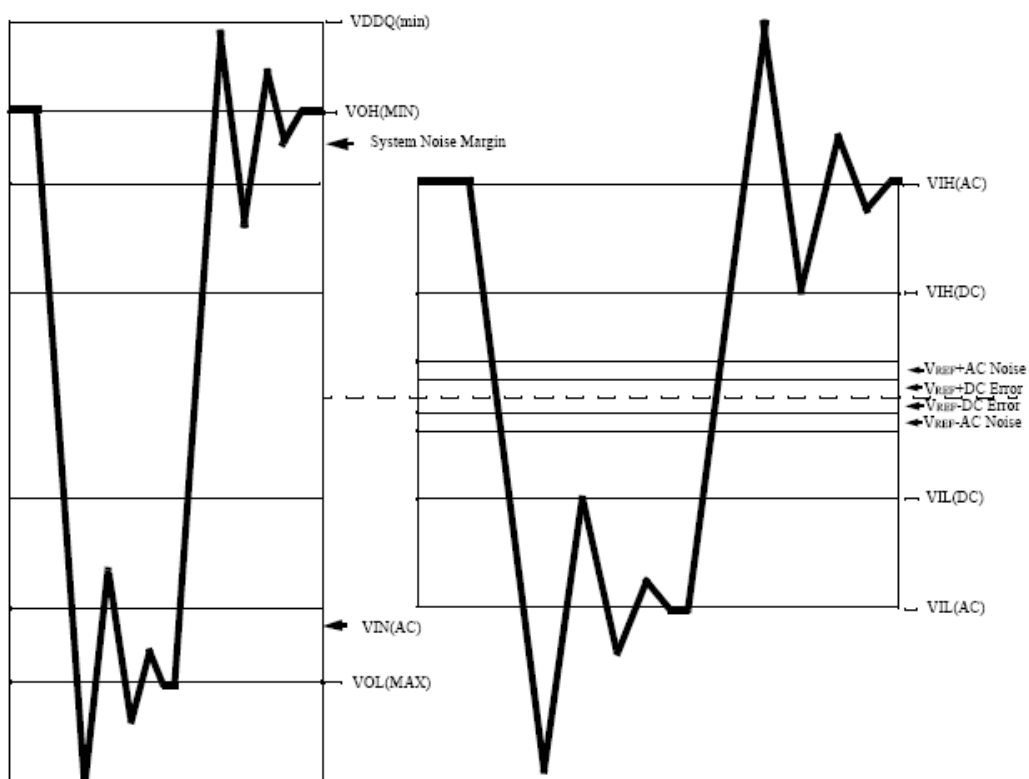
**Note:**

Measurement performed with VDDQ = 1.8v (nominal) and by applying VDDQ/2 (0.9v) at the corresponding Input or Output. (0 ≤ Tc ≤ +85 °C)

**Table 15: Driver and Termination DC Characteristics (1.8V version)**

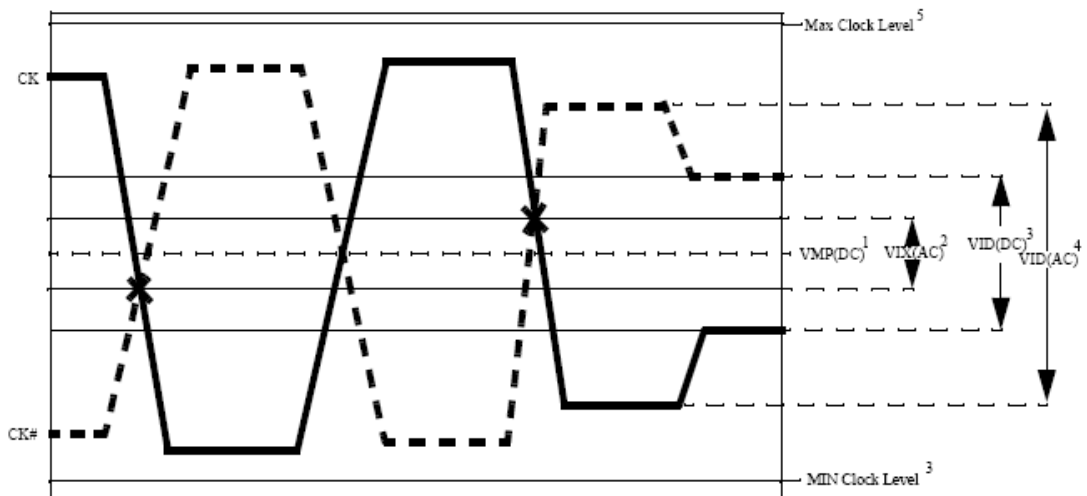
PARAMETER	ZQ VALUE	200		240		280		OHM	NOTES
		MIN	MAX	MIN	MAX	MIN	MAX	UNITS	
IOH	ZQ/6	24.5	30.0	20.5	25.0	17.5	21.4	mA	
IOL	ZQ/6	24.5	30.0	20.5	25.0	17.5	21.4	mA	
ITCAH (ZQ/2)	ZQ/2	8.2	10.0	6.8	8.3	5.8	7.1	mA	
ITCAH (ZQ)	ZQ	4.1	5.0	3.4	4.2	11.7	14.3	mA	
ITDQH (ZQ/4)	ZQ/4	16.4	18.0	13.6	16.7	11.7	14.3	mA	
ITDQH (ZQ/2)	ZQ/2	8.2	10.0	6.8	8.3	5.8	7.1	mA	

Figure 27: Input and Output Voltage Waveform



**Table 16: Clock Input Operating Conditions (1.8V version)**

PARAMETER/CONDITION	SYMBOL	MIN	TYP	MAX	UNITS
Clock Input Midpoint Voltage; CK and CK#	VMP(DC)	1.16	1.26	1.36	V
Clock Input Voltage Level; CK and CK#	VIN(DC)	0.42	-	VDDQ+0.3	V
Clock Input Differential Voltage; CK and CK#	VID(DC)	0.22		VDDQ	V
Clock Input Differential Voltage; CK and CK#	VID(AC)	0.22		VDDQ+0.3	V
Clock Input Crossing Point Voltage; CK and CK#	VIX(AC)	VREF-0.15	0.70xVDDQ	VREF+0.15	V

**Figure 28: Clock Input**

**NOTE:**

1. This provides a minimum of 1.16V to a maximum of 1.36V, and is always 70% of VDDQ.
2. CK and CK# must cross in this region.
3. CK and CK# must meet at least VIN(DC) MIN when static and is centered around VMP(DC).
4. CK and CK# must have a minimum 600mV peak-to-peak swing.
5. CK or CK# may not be more positive than VDDQ + 0.5V or lower than 0.22V.
6. For AC operation, all DC clock requirements must also be satisfied.
7. Numbers in diagram reflect nominal values.



**Table 17: Capacitance**

Note: 13; notes appear on pages 49,50

PARAMETER	SYMBOL	MIN	MAX	UNITS	NOTES
Delta Input/Output Capacitance: DQs, DQS, DM	DCIO	-	0.20	pF	24
Delta Input Capacitance: Command and Address	DCI1	-	0.40	pF	29
Delta Input Capacitance: CK, CK#	DCI2	-	0.10	pF	29
Input/Output Capacitance: DQs, DQS, DM	CIO	1.5	3.5	pF	
Input Capacitance: Command and Address	CI1	1.0	3.0	pF	
Input Capacitance: CK, CK#	CI2	1.0	3.0	pF	
Input Capacitance: CKE	CI3	1.0	3.0	pF	

**Table 18: IDD Specifications and Conditions (Units : mA)**

Note: 1-5, 10, 12, 14, 40; notes on page 49,50; 0 ≤ TC ≤ 85

PARAMETER/CONDITION	SYMBOL	MAX							NOTES
		-18L	-14L	-2	-14	-11	-1	-08	
OPERATING CURRENT: One bank; Active-Precharge; tRC (MIN); tCK = tCK (MIN); DQ, DM, and DQS inputs changing twice per clock cycle; Address and control inputs changing once per clock cycle; WL=6	IDD0	160	180	350	420	550	600	650	22, 46
OPERATING CURRENT: One bank; Active Read Precharge; Burst = 4; tRC (MIN); tCK = tCK (MIN); Address and control inputs changing once per clock cycle; I(OUT) = 0mA; WL=6	IDD1	160	180	350	420	550	600	650	22, 46
PRECHARGE POWER-DOWN STANDBY CURRENT: All banks idle; Power-down mode; tCK = tCK (MIN); CKE= LOW	IDD2P	40	50	80	90	140	160	180	32
IDLE STANDBY CURRENT: CS# = HIGH; All banks idle; tCK = tCK (MIN); CKE = HIGH; inputs changing once per clock cycle	IDD2N	100	120	170	200	290	310	350	
ACTIVE POWER-DOWN STANDBY CURRENT: One bank active; Power-down mode; tCK = tCK (MIN); CKE= LOW; WL=6	IDD3P	50	60	95	110	165	180	195	32
ACTIVE STANDBY CURRENT: CS# = HIGH; CKE = HIGH; One bank; Active Precharge; tRC = tRAS (MAX); tCK = tCK (MIN); DQ, DM, and DQS inputs changing twice per clock cycle; Address and other control inputs changing once per clock cycle; WL=6	IDD3N	110	130	280	320	450	480	530	22
OPERATING CURRENT: Burst = 4; Reads; Continuous burst; One bank active; Address and control inputs changing once per clock cycle; tCK = tCK (MIN); I(OUT)=0mA; WL=6	IDD4R	440	480	650	825	1100	1250	1380	
OPERATING CURRENT: Burst = 4; Writes; Continuous burst; One bank active; Address and control inputs changing once per clock cycle; tCK = tCK (MIN); DQ, DM, and DQS inputs changing twice per clock cycle; WL=6	IDD4W	460	500	655	830	1180	1300	1420	
AUTO REFRESH CURRENT	tRFC (MIN)	280	300	400	480	550	600	660	22
	tRFC = 3.9us	120	150	197	235	276	298	324	27
SELF REFRESH CURRENT: CKE ≤ 0.2V	IDD6	10	10	20	20	20	35	35	11

NOTE :

1. '-18L/-14L' means low voltage so its current is measured at 1.545max voltage.
2. HY5RS123235BFP-2/-14/-11 is standardized by 1.9max voltage.
3. HY5RS123235BFP-1/-08 is standardized by 2.15max voltage.

**Table 19: Electrical Characteristics and AC Operating Conditions**

Notes: 1-5,14-16,33,40; notes on pages 49.50; 0 ≤ TC ≤ 85

AC Characteristics Parameter		-18L		-14(L)		-2		Unit	Note	
Parameter	Symbol	MIN	MAX	MIN	MAX	Min	Max			
DQS out Access time from CK	tDQSK	-0.35	+0.35	-0.26	+0.26	-0.35	+0.35	tCK		
CK High-level width	tCH	0.45	0.55	0.45	0.55	0.45	0.55	tCK	30	
CK Low-level width	tCL	0.45	0.55	0.45	0.55	0.45	0.55	tCK	30	
Clock Cycle Time	CL=9	tCK	-	-	1.4	3.3	-	-	ns	33, 40, 48
	CL=7	tCK	1.8	3.3	-	-	1.8	3.3	ns	33, 40, 48
Write Latency	tWL	1,2,3,4, 5,6		1,2,3,4, 5,6		1,2,3,4, 5,6		tCK	43	
DQ & DM input hold time relative to DQS	tDH	0.25		0.18		0.25		ns	26, 31	
DQ & DM input setup time relative to DQS	tDS	0.25		0.18		0.25		ns	26, 31	
Active termination setup time	tATS	10		10		10		ns		
Active termination hold time	tATH	10		10		10		ns		
DQS input high pulse width	tDQSH	0.48	0.52	0.48	0.52	0.48	0.52	tCK		
DQS input low pulse width	tDQSL	0.48	0.52	0.48	0.52	0.48	0.52	tCK		
DQS-DQ skew	tDQSQ	-0.225	+0.225	-0.160	+0.160	-0.225	+0.225	ns	25, 26	
Write command to first DQS latching transition	tDQSS	WL-0.2	WL+0.2	WL-0.2	WL+0.2	WL-0.2	WL+0.2	tCK		
DQS falling edge to CK rising . setup time	tDSS	0.25		0.25		0.25		tCK		
DQS falling edge from CK rising . hold time	tDSH	0.25		0.25		0.25		tCK		
Half strobe period	tHP	tCL min or tCH min		tCL min or tCH min		tCL min or tCH min		tCK	34	
Data output hold time from DQS	tQH	tHP- 0.225		tHP-0.16		tHP- 0.225		ns		
Data-out high-impedance window from CK/CK#	tHZ	0.3		0.3		0.3		ns	18	
Data-out low-impedance window from CK/CK#	tLZ	0.3		0.3		0.3		ns	18	
Address and control input hold time	tIH	0.5		0.35		0.5		ns	14	
Address and control input setup time	tIS	0.5		0.35		0.5		ns	14	
Address and control input pulse width	tIPW	1.3		1.0		1.3		ns		
LOAD MODE REGISTER command cycle time	tMRD	4		6		4		tCK	44	

AC Characteristics Parameter		-18(L)		-14(L)		-2		Unit	Note
Parameter	Symbol	MIN	MAX	MIN	MAX	MIN	MAX		
Average periodic refresh interval	tREFI		3.9		3.9		3.9	us	23
DQS read preamble	tRPRE	0.4	0.6	0.4	0.6	0.4	0.6	tCK	46
DQS read postamble	tRPST	0.4	0.6	0.4	0.6	0.4	0.6	tCK	
DQS write preamble	tWPRE	0.4	0.6	0.4	0.6	0.4	0.6	tCK	
DQS write preamble setup time	tWPRES	0		0		0		ns	20, 21
DQS write postamble	tWPST	0.4	0.6	0.4	0.6	0.4	0.6	tCK	19, 37
Jitter over 1~6 clock cycle error	tJ	-	0.03	-	0.03	-	0.03	tCK	
Cycle to cycle duty cycle error	tDCERR	-	0.03	-	0.03	-	0.03	tCK	
Rise and fall times of CK	tR, tF	-	0.2	-	0.2	-	0.2	tCK	

**Table 19: Electrical Characteristics and AC Operating Conditions**

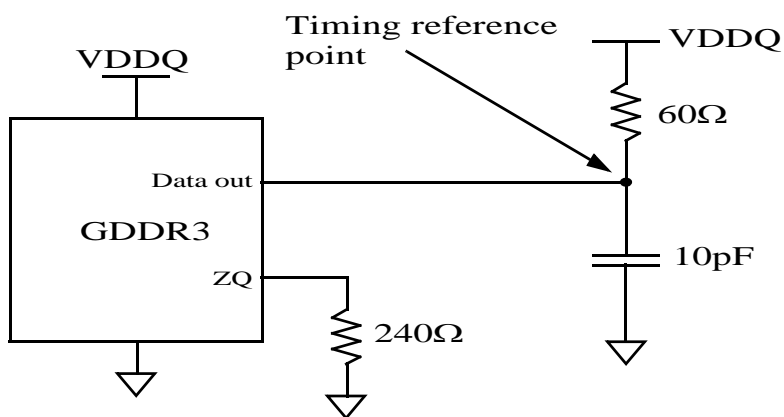
Notes: 1-5,14-16,33,40; notes on pages 49.50; 0 ≤ TC ≤ 85

AC Characteristics Parameter		-11		-1		-08		Unit	Note	
Parameter	Sym- bol	MIN	MAX	MIN	MAX	MIN	MAX			
DQS-out access time from CK	tDQSK	-0.22	+0.22	-0.2	+0.2	-0.2	+0.2	tCK		
CK High-level width	tCH	0.45	0.55	0.45	0.55	0.45	0.55	tCK	30	
CK Low-level width	tCL	0.45	0.55	0.45	0.55	0.45	0.55	tCK	30	
Clock Cycle Time	CL=11	tCK	-	-	-	0.8	3	ns	33, 40, 48	
	CL=11	tCK	-	-	1	3	-	-	ns	33, 40, 48
	CL=10	tCK	1.1	3.3	-	-	-	-	ns	33, 40, 48
Write Latency	tWL	1,2,3, 4,5,6		1,2,3, 4,5,6		1,2,3, 4,5,6		tCK	43	
DQ & DM input hold time relative to DQS	tDH	0.15		0.13		0.125		ns	26, 31	
DQ & DM input setup time relative to DQS	tDS	0.15		0.13		0.125		ns	26, 31	
Active termination setup time	tATS	10		10		10		ns		
Active termination hold time	tATH	10		10		10		ns		
DQS input high pulse width	tDQSH	0.48	0.52	0.48	0.52	0.48	0.52	tCK		
DQS input low pulse width	tDQSL	0.48	0.52	0.48	0.52	0.48	0.52	tCK		
DQS-DQ skew	tDQSQ	-0.13	0.13	-0.12	0.12	-0.11	0.11	ns	25, 26	
Write command to first DQS latching transition	tDOSS	WL-0.2	WL+0.2	WL-0.2	WL+0.2	WL-0.2	WL+0.2	tCK		
DQS falling edge to CK rising . setup time	tDSS	0.25		0.25		0.25		tCK		
DQS falling edge from CK rising . hold time	tDSH	0.25		0.25		0.25		tCK		
Half strobe period	tHP	tCL min or tCH min		tCL min or tCH min		tCL min or tCH min		tCK	34	
Data output hold time from DQS	tQH	tHP-0.13		tHP-0.12		tHP-0.11		ns		
Data-out high-impedance window from CK/CK#	tHZ	-0.3		-0.3		-0.3		ns	18	
Data-out low-impedance window fromCK/CK#	tLZ	-0.3		-0.3		-0.3		ns	18	
Address and control input hold time	tIH	0.28		0.27		0.24		ns	14	
Address and control input setup time	tIS	0.28		0.27		0.24		ns	14	
Address and control input pulse width	tIPW	0.8		0.7		0.7		ns		
LOAD MODE REGISTER command cycle time	tMRD	7		7		7		tCK	44	

**Table 19: Electrical Characteristics and AC Operating Conditions**

Notes: 1-5,14-16,33,40; notes on pages 49,50; 0 ≤ TC ≤ 85

AC Characteristics Parameter		-11		-1		-08		Unit	Note
Parameter	Symbol	MIN	MAX	MIN	MAX	MIN	MAX		
DQS read preamble	tRPRE	0.4	0.6	0.4	0.6	0.4	0.6	tCK	46
DQS read postamble	tRPST	0.4	0.6	0.4	0.6	0.4	0.6	tCK	
DQS write preamble	tWPRE	0.4	0.6	0.4	0.6	0.4	0.6	tCK	
DQS write preamble setup time	tWPRES	0		0		0		ns	20, 21
DQS write postamble	tWPST	0.4	0.6	0.4	0.6	0.4	0.6	tCK	19, 37
Jitter over 1~6 clock cycle error	t <sub>J</sub>	-	0.03	-	0.03	-	0.03	tCK	
Cycle to cycle duty cycle error	tDCERR	-	0.03	-	0.03	-	0.03	tCK	
Rise and fall times of CK	t <sub>R</sub> , t <sub>F</sub>	-	0.2	-	0.2	-	0.2	tCK	



AC timing reference load ( Refer to note3 on page49)

**Notes:**

1. All voltages referenced to Vss.
2. Tests for AC timing, I<sub>dd</sub>, and electrical AC and DC characteristics may be conducted at nominal reference/supply voltage levels, but the related specifications and device operation are guaranteed for the full voltage range specified.
3. Outputs measured with equivalent load of 10pf terminated with 60Ω to V<sub>ddQ</sub>. The output timing reference voltage level for single ended signals is the cross point with VREF (=0.7\*VDDQ nominal).
4. AC timing and I<sub>dd</sub> tests may use a V<sub>il</sub>-to-V<sub>ih</sub> swing of up to 1.0V in the test environment, but input timing is still referenced to Vref (or to the crossing point for CK/CK#), and parameter specifications are guaranteed for the specified AC input levels under normal use conditions. The minimum slew rate for the input signals used to test the device is 3V/ns in the range between V<sub>il</sub>(AC) and V<sub>ih</sub>(AC).
5. The AC and DC input level specifications are a pseudo open drain design for improved high-speed signaling.
6. Vref is expected to equal 70 percent of V<sub>ddQ</sub> for the transmitting device and to track variations in the DC level of the same. Peak-to-peak noise on Vref may not exceed ± 2 percent of the DC value. Thus, from 70% of V<sub>ddQ</sub>, Vref is allowed ± 25mV for DC error and an additional ± 25mV for AC noise.
7. Needed to further definitions.
8. Vid is the magnitude of the difference between the input level on CK and the input level on CK#.
9. The value of Vix is expected to equal 70 percent of V<sub>ddQ</sub> for the transmitting device and must track variations in the DC level of the same.
10. I<sub>dd</sub> is dependent on output loading and cycle rates. Specified values are obtained with minimum cycle time at minimum CAS latency and does not include the on-die termination current. Outputs are open during I<sub>dd</sub> measurements.
11. Enables on-chip refresh and address counters.
12. I<sub>dd</sub> specifications are tested after the device is properly initialized.
13. This parameter is sampled. V<sub>dd</sub> = 1.8V, V<sub>ddQ</sub> = 1.8V, Vref = V<sub>ss</sub>, f = 1 MHz, T<sub>A</sub> = 25 °C, V<sub>out</sub>(DC) = 0.75V, V<sub>ddQ</sub>, V<sub>out</sub> (peak to peak) = 0.2V. DM input is grouped with I/O pins, reflecting the fact that they are matched in loading.
14. Command/Address input slew rate = 3 V/ns. If the slew rate is less than 3 V/ns, timing is no longer referenced to the midpoint but to the V<sub>il</sub>(AC) maximum and V<sub>ih</sub>(AC) minimum points.
15. The CK/CK# input reference level (for timing referenced to CK/CK#) is the point at which CK and CK# cross; the input reference level for signals other than CK/CK# is Vref.
16. Inputs are not recognized as valid until Vref stabilizes. Exception: during the period before Vref stabilizes, MF, CKE ≤ 0.3 x V<sub>ddQ</sub> is recognized as LOW.
17. Not used in this Specification.
18. t<sub>HZ</sub> and t<sub>LZ</sub> transitions occur in the same access time windows as valid data transitions. These parameters are not referenced to a specific voltage level, but specify when the device output is no longer driving (HZ) or begins driving (LZ).
19. The maximum limit for this parameter is not a device limit. The device will operate with a greater value for this parameter, but system performance (bus turn-around) will degrade accordingly.
20. This is not a device limit. The device will operate with a negative value, but system performance could be degraded due to bus turnaround.
21. It is recommended that WDQS be valid (HIGH or LOW) on or before the WRITE command.
22. MIN (t<sub>RC</sub> or t<sub>RFC</sub>) for I<sub>dd</sub> measurements is the smallest multiple of t<sub>CK</sub> that meets the minimum absolute value for the respective parameter. t<sub>RASMAX</sub> for I<sub>dd</sub> measurements is the largest multiple of t<sub>CK</sub> that meets the maximum absolute value for t<sub>RAS</sub>.
23. The refresh period is 8K every 32ms. This equates to an average refresh rate of 3.9us.
24. The I/O capacitance per DQS and DQ byte/group will not differ by more than this maximum amount for any given device.
25. The valid data window is derived by achieving other specifications . t<sub>DQHP</sub> and t<sub>DQSQ</sub>. The data valid window derates in direct proportion to the strobe duty cycle and a practical data valid window can be derived. The strobe is allowed a maximum duty cycle variation of 48:52. Functionality is uncertain when operating beyond a 48:52 ratio.
26. Referenced to each output group: RDQS0 with DQ0.DQ7, RDQS1 with DQ8.DQ15, RDQS2 with DQ16.DQ23, and RDQS with DQ24.DQ31.

27. This limit is actually a nominal value and does not result in a fail value. CKE is HIGH during REFRESH command period ( $t_{RFC}$  [MIN]) else CKE is LOW (e.g., during standby).
28. The DC values define where the input slew rate requirements are imposed, and the input signal must not violate these levels in order to maintain a valid level. The inputs require the AC value to be achieved during signal transition edge, and the driver should achieve the same slew rate through the AC values.
29. The input capacitance per pin group will not differ by more than this maximum amount for any given device.
30. CK and CK# input slew rate must be  $\geq 6$  V/ns.
31. DQ and DM input slew rates must not deviate from WDQS by more than 10 percent. If the DQ/DM/WDQS slew rate is less than 3 V/ns, timing is no longer referenced to the midpoint but to the  $V_{il}(AC)$  maximum and  $V_{ih}(AC)$  minimum points.
32. Vdd must not vary more than 4 percent if CKE is not active while any bank is active.
33. The clock is allowed up to  $\pm 90$ ps of jitter. Each timing parameter is allowed to vary by the same amount.
34. tHP (MIN) is the lesser of tDQSL minimum and tDQSH minimum actually applied to the device CK and CK# inputs, collectively during bank active.
35. For READs and WRITEs with auto precharge the GDDR3 device will hold off the internal PRECHARGE command until tRAS (MIN) has been satisfied.
36. The last rising edge of WDQS after the write postamble must be driven high by the controller. WDQS cannot be pulled high by the on-die termination alone. For the read postamble the GDDR3 will drive the last rising edge of the read postamble.
37. The voltage levels used are derived from the referenced test load. In practice, the voltage levels obtained from a properly terminated bus will provide significantly different voltage values.
38.  $V_{ih}$  overshoot:  $V_{ih} (MAX) = V_{ddQ} + 0.5V$  for a pulse width  $\leq 500$ ps and the pulse width cannot be greater than 1/3 of the cycle rate.  $V_{il}$  under-shoot:  $V_{il} (MIN) = 0.0V$  for a pulse width  $\leq 500$ ps and the pulse width cannot be greater than 1/3 of the cycle rate.
39. The DLL must be reset when changing the frequency, followed by 5K clock cycles.
40. Junction temperature is a function of total device power dissipation and device mounting environment. Measured per SEMI G38-87.
41. The thermal resistance data is based on a number of samples from multiple lots and should be viewed as a typical number. These parameters are not tested in production or just guaranteed by the simulation methods.
42. The WRITE latency can be set from 1 to 6 clocks but can never be less than 2ns for latencies of 1 and 3 clocks. When the WRITE latency is set to 1 or 3 clocks, the input buffers are always on, reducing the latency but adding power. When the WRITE latency is set to 4 or 6 clocks the input buffers are turned on during the WRITE commands for lower power operation and can never be less than 7.5ns.
43. We'll try to cut these values for positive timing budget of 800MHz operations
44. Minimum of +9 cycles are needed to Read commands.
45. 8 Banks device sequential bank activation restriction: No more than 4 banks may be activated in a rolling tFAW (Four activate window).  $t_{FAW} = 4 \text{th Banks Act} + t_{RRD} * 2 = (t_{RRD} * 5)$ . Converting to clocks is done by dividing tFAW by tCK and rounding up to next integer.
46. In here, tRPRE means, Low drive period of RDQS prior to the valid high rising edge. It doesn't include the High drive period prior to Low drive.
47. WR\_A (write recovery time for autoprecharge) in clock cycles is calculated by dividing tWR (in ns) and rounding up to the next integer ( $WR[\text{cycles}] = tWR(\text{ns})/tCK(\text{ns})$ ). The mode register must be programmed to this value.
48.  $t_{CK\_max} = 3.3\text{ns}$  at CL7-10,  $t_{CK\_max} = 3\text{ns}$  at CL11

**Table 20: Electrical Characteristics Usages as Clock phase**

AC Characteristics Parameter		-18L		-16(L)*		-14(L)		-2		-12*		-11		-1		-08		Unit
Parameter	Sym- bol	MIN	MAX	MIN	MAX	MIN	MAX	Min	Max	MIN	MAX	MIN	MAX	MIN	MAX	MIN	MAX	
ACTIVE to PRECHARGE command	tRAS	17	70Kns	19	70Kns	22	70Kns	15	70Kns	25	70Kns	28	70Kns	28	70Kns	28	70Kns	tCK
ACTIVE to ACTIVE/AUTO REFRESH command period	tRC	24	-	28	-	31	-	22	-	35	-	40	-	39	-	39	-	tCK
AUTO REFRESH command period	tRFC	30	-	31	-	39	-	27	-	45	-	50	-	50	-	50	-	tCK
ACTIVE to READ delay	tRCDR	8	-	10	-	11	-	8	-	12	-	13	-	14	-	14	-	tCK
ACTIVE to WRITE delay	tRCDW	5	-	6	-	7	-	5	-	8	-	9	-	9	-	9	-	tCK
PRECHARGE command period	tRP	7	-	8	-	9	-	7	-	10	-	11	-	12	-	12	-	tCK
ACTIVE bank a to ACTIVE bank b command	tRRD	5	-	6	-	7	-	5	-	8	-	9	-	9	-	9	-	tCK
Bank active restriction rolling window	tFAW	28	-	32	-	35	-	25	-	40	-	44	-	48	-	48	-	tCK
Write recovery time	tWR	7	-	8	-	9	-	7	-	10	-	12	-	12	-	12	-	tCK
Internal WRITE to READ command delay	tWTR	4	-	5	-	6	-	4	-	7	-	8	-	7	-	7	-	tCK
WRITE recovery time + PRECHARGE command period	tDAL	14	-	16	-	18	-	14	-	20	-	22	-	24	-	24	-	tCK
Exit SELF REFRESH to READ command	tXSRD	5K	-	5K	-	5K	-	5K	-	5K	-	5K	-	5K	-	5K	-	tCK
Exit self refresh to Non-Read command	tXSNR	300	-	300	-	300	-	300	-	300	-	300	-	300	-	300	-	tCK
Power-down exit time	tPDEX	4tCJK +tIS	-	5tCJK +tIS	-	5tCJK +tIS	-	4tCJK +tIS	-	6tCJK +tIS	-	7tCJK +tIS	-	7tCJK +tIS	-	7tCJK +tIS	-	tCK
Refresh interval time	tREF	-	3.9	-	3.9	-	3.9	-	3.9	-	3.9	-	3.9	-	3.9	-	3.9	us

Note) \*: 1. It's only reference for customers who would like to use 700MHz(-14) part for 600MHz operation and 900MHz(-11) part of 800MHz operation and please use CL=8 for (-16) operation and CL=10 for (-12) operation.  
 2. '-18L/-14L' means low voltage so its value is measured at 1.545max voltage.  
 3. HY5RS123235BFP-2/-14/-11 is standardized by 1.9max voltage and HY5RS123235BFP-1/-08 is standardized by 2.15max voltage.



## I/O and ODT Values

The Driver and Termination impedances are derived from the following test conditions under worst case process corners:

1. Nominal 1.8V (VDD/VDDQ)
2. Power the GDDR3 device and calibrate the output drivers and termination to eliminate process variation at 25 °C.
3. Reduce temperature to 10 °C and recalibrate.
4. Reduce temperature to 0 °C and take the fast corner measurement.
5. Raise temperature to 75 °C and recalibrate
6. Raise temperature to 85 °C and take the slow corner measurement

## I/O Impedances

Pull-Down Characteristic at 40 ohms		
Voltage (V)	MIN	MAX
0.1	2.144	3.366
0.2	4.268	6.516
0.3	6.373	9.454
0.4	8.449	12.185
0.5	10.505	14.715
0.6	12.542	17.051
0.7	14.540	19.400
0.8	16.509	21.828
0.9	18.449	24.219
1.0	20.341	26.580
1.1	22.203	28.913
1.2	24.017	31.222
1.3	25.783	33.508
1.4	27.480	35.813
1.5	29.119	38.213
1.6	30.671	40.551
1.7	31.387	42.900
1.8	31.648	45.176

Pull-Up Characteristic at 40ohms		
Voltage (V)	MIN	MAX
0.1	-2.377	-2.946
0.2	-4.705	-5.829
0.3	-6.984	-8.644
0.4	-9.283	-11.383
0.5	-11.524	-14.038
0.6	-13.803	-16.599
0.7	-16.015	-19.051
0.8	-18.285	-21.630
0.9	-20.302	-24.143
1.0	-22.223	-26.605
1.1	-24.066	-29.005
1.2	-25.773	-31.353
1.3	-27.344	-33.619
1.4	-28.683	-35.803
1.5	-29.731	-37.883
1.6	-30.691	-39.882
1.7	-31.544	-42.003
1.8	-32.311	-44.063

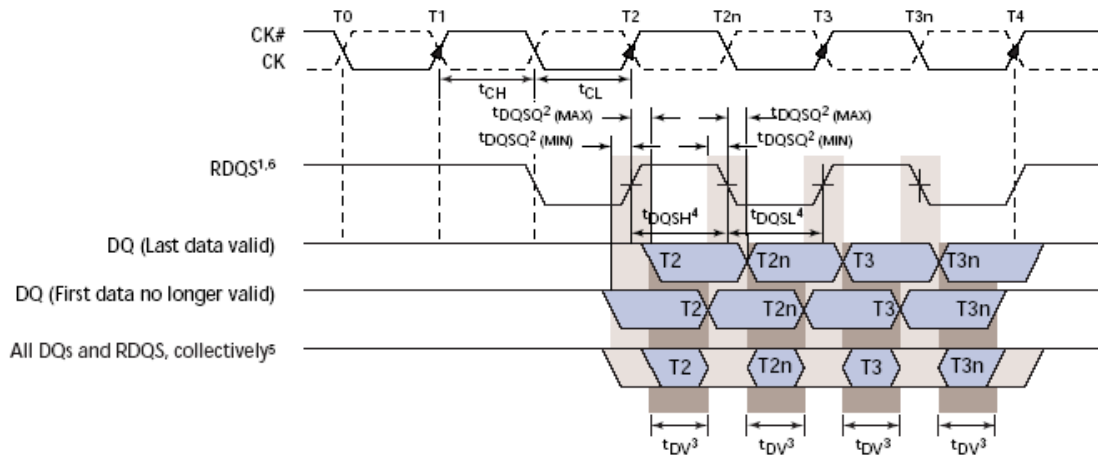
**On Die Termination Values**

Pull-Up Characteristic at 60ohms		
Voltage (V)	MIN	MAX
0.1	-1.58	-1.96
0.2	-3.14	-3.89
0.3	-4.66	-5.76
0.4	-6.19	-7.59
0.5	-7.68	-9.36
0.6	-9.20	-11.07
0.7	-10.68	-12.70
0.8	-12.19	-14.42
0.9	-13.53	-16.10
1.0	-14.82	-17.74
1.1	-16.04	-19.34
1.2	-17.18	-20.90
1.3	-18.23	-22.41
1.4	-19.12	-23.87
1.5	-19.82	-25.26
1.6	-20.46	-26.59
1.7	-21.03	-28.00
1.8	-21.54	-29.38

Pull-Up Characteristic at 120ohms		
Voltage (V)	MIN	MAX
0.1	-0.79	-0.98
0.2	-1.57	-1.94
0.3	-2.33	-2.88
0.4	-3.09	-3.79
0.5	-3.84	-4.68
0.6	-4.60	-5.53
0.7	-5.34	-6.35
0.8	-6.09	-7.21
0.9	-6.77	-8.05
1.0	-7.41	-8.87
1.1	-8.02	-9.67
1.2	-8.59	-10.45
1.3	-9.11	-11.21
1.4	-9.56	-11.93
1.5	-9.91	-12.63
1.6	-10.23	-13.29
1.7	-10.51	-14.00
1.8	-10.77	-14.69

Pull-Up Characteristic at 240ohms		
Voltage (V)	MIN	MAX
0.1	-0.40	-0.49
0.2	-0.78	-0.97
0.3	-1.16	-1.44
0.4	-1.55	-1.90
0.5	-1.92	-2.34
0.6	-2.30	-2.77
0.7	-2.67	-3.18
0.8	-3.05	-3.60
0.9	-3.38	-4.02
1.0	-3.70	-4.43
1.1	-4.01	-4.83
1.2	-4.30	-5.23
1.3	-4.56	-5.60
1.4	-4.78	-5.97
1.5	-4.96	-6.31
1.6	-5.12	-6.65
1.7	-5.26	-7.00
1.8	-5.39	-7.34

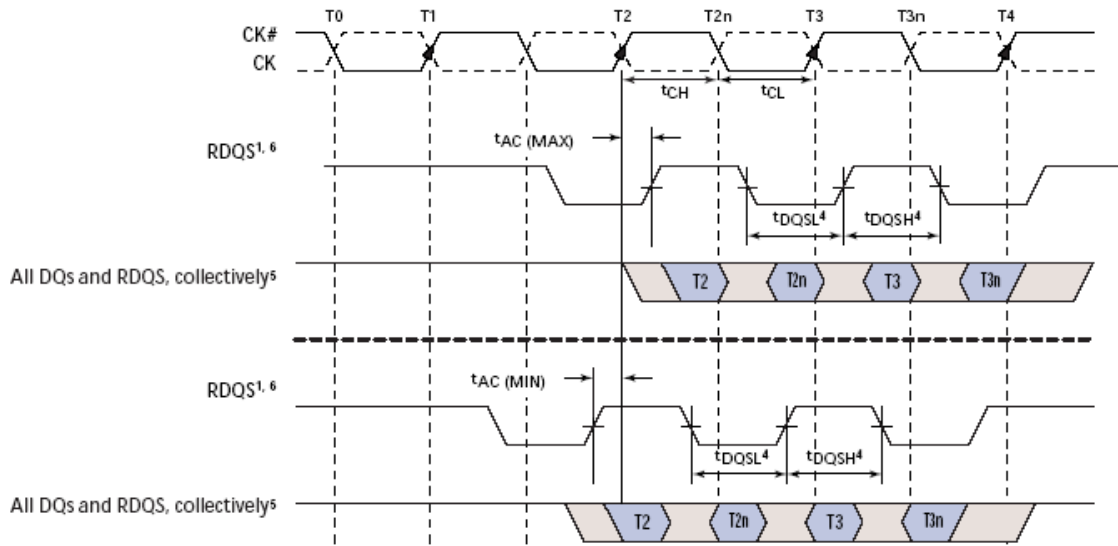
Figure 29: Data Output Timing - tDQSQ, tQH and Data Valid Window



**NOTE:**

1. tDQSQ represents the skew between the eight DQ lines and the respective RDQS pin.
2. tDQSQ is derived at each RDQS edge and is not cumulative over time and begins with first DQ transition and ends with the last valid transition of DQ.
3. tAC is shown in the nominal case.
4. tDQHP is the lesser of tDQSL or tDQSH strobe transition collectively when a bank is active.
5. The data valid window is derived for each RDQS transitions and is defined by tDV.
6. There are four RDQS pins for this device with RDQS0 in relation to DQ(0.7), RDQS1 in relation DQ(8.15), RDQS2 in relation to DQ(16.24), and RDQS3 in relation to DQ(25.31).
7. This diagram only represents one of the four byte lanes.

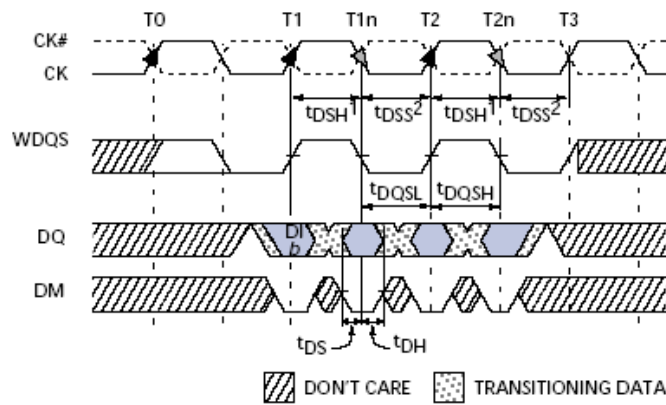
Figure 30: Data Output Timing - AC



**NOTE:**

1.  $t_{AC}$  represents the relationship between DQ, RDQS to the crossing of CK and CK#.

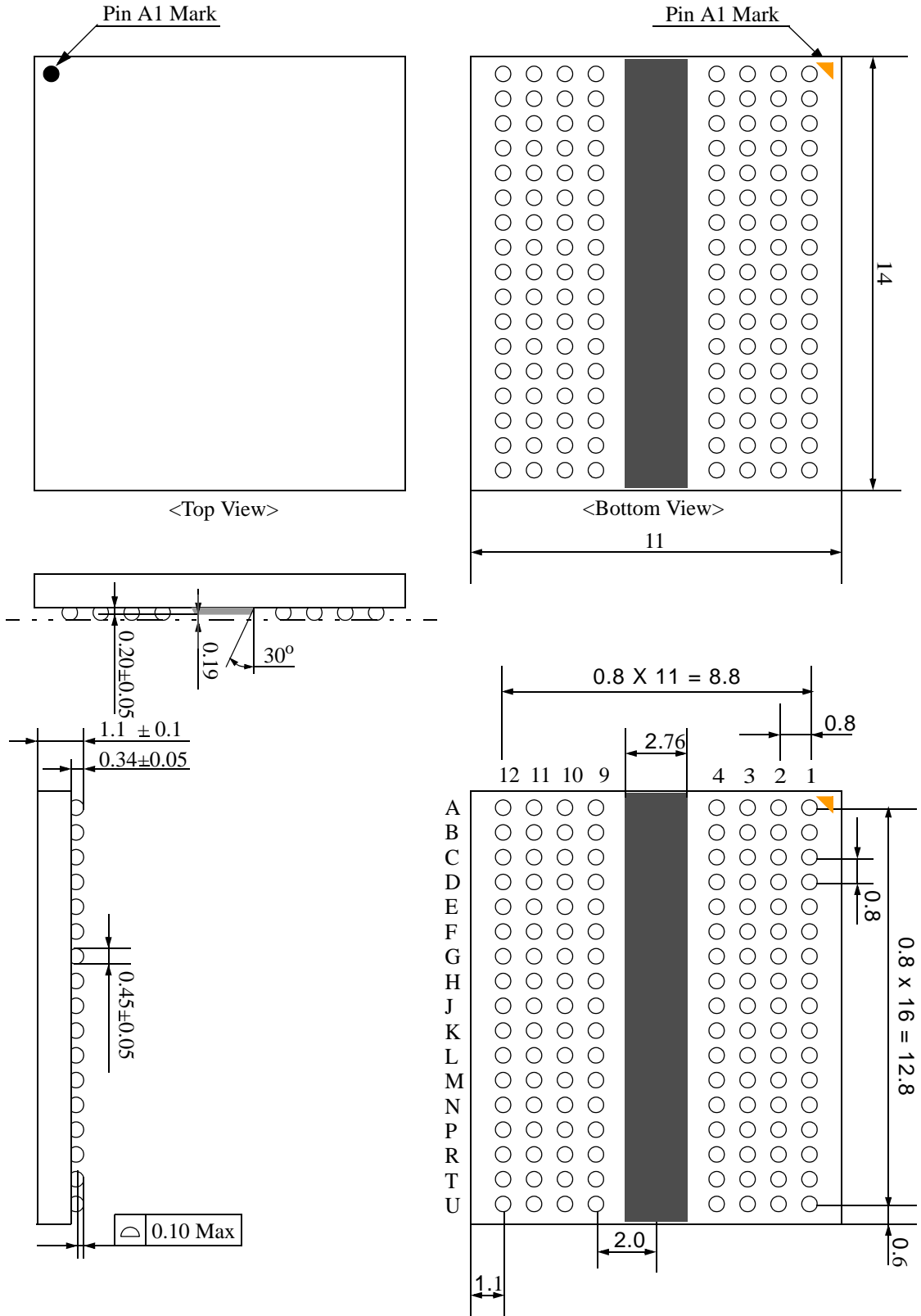
Figure 31: Data Input Timing



**NOTE:**

1.  $t_{DSH} (MIN)$  generally occurs during  $t_{DQSS} (MIN)$ .
2.  $t_{DSS} (MIN)$  generally occurs during  $t_{DQSS} (MAX)$ .

Package Information

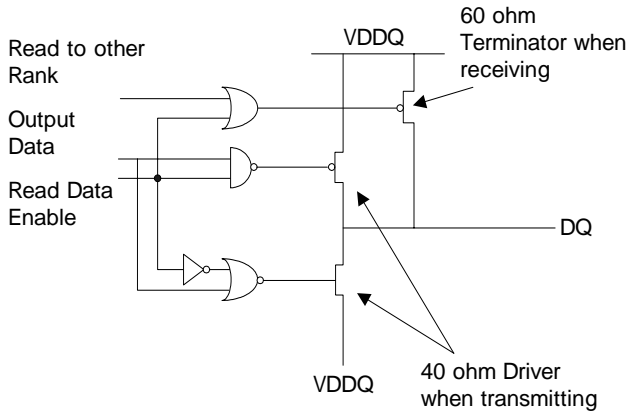


Unit:mm

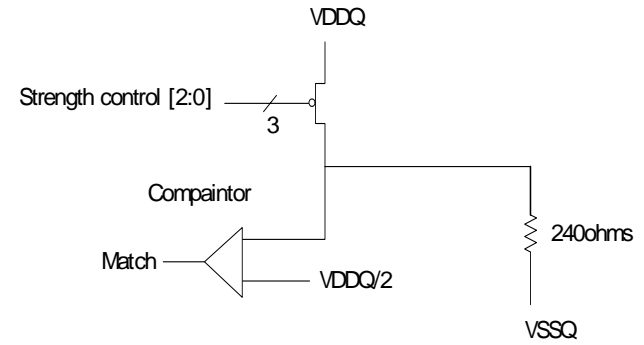
## Appendix A

The following diagram shows the general GDDR3 driver and terminator

### Output Driver



### Self Calibration of Pmos Leg



When Match Pmos leg is calibrated to 240 ohms

### Self Calibration flow for Driver and Terminator

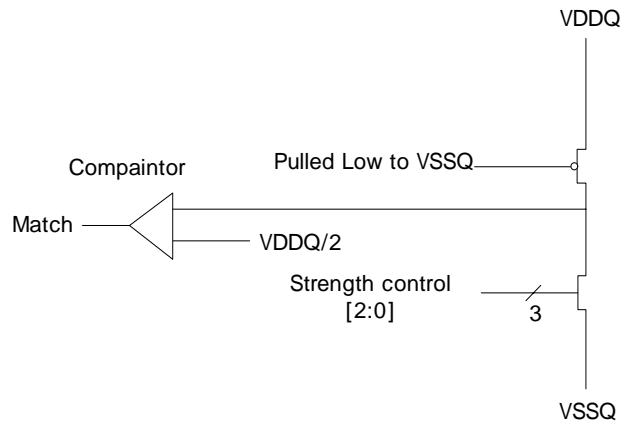
First calibrate Pmos device against 240ohm resistor to VSS via ZQ pin

- This calibrate one Pmos leg to 240 ohms
- Use 1 Pmos leg for 240 ohm terminator
- Use 2 Pmos legs for 120 ohm terminator
- Use 4 Pmos legs for 60 ohm terminator
- Use 6 Pmos legs for 40 ohm pull up driver

Next calibrate one Nmos leg against the already calibrated 240 ohm Pmos leg

- This calibrates one Nmos leg to 240 ohms
- Use 6Nmos legs for 40 ohm driver

### Self Calibration of Nmos Leg



When Match Nmos leg is calibrated to 240 ohms

## **Apendix B Definition of Terminology**

### **Hereafter are defined terminologies used in the GDDR3 SDRAM specification.**

Although GDDR3 might be operated in ODT Disable Mode, it is not recommended and the specification describes the ODT Enable Mode only. Should a system be designed to operate the GDDR3 in ODT Disable Mode, the system should comprehend the effect of the discrepancies between this specification and its own design.

If it is stated that a bus is in one of the following state, it should be interpreted as described.

### **Following are three terminologies defined for ODT Enable Mode.**

- High{terminated}: A driver on the bus is driving the bus. One or more termination (ODT) on the bus is turned-on.  
The voltage level of the bus would be nominally VDDQ.
- Hi-z{terminated}: No driver on the bus is driving the bus. One or more termination (ODT) on the bus is turned-on.  
The voltage level of the bus would be nominally VDDQ.
- Low{terminated}: A driver on the bus is driving the bus. One or more termination (ODT) on the bus is turned-on.  
The voltage level of the bus would be nominally VOL(DC).

### **Corresponding terminologies for ODT Disable Mode are defined below.**

As mentioned before, ODT Disable Mode is not an intended mode of operation. However, there exist situations where ODT Enable Mode can not be guaranteed for a short period of time, like during power up, yet is indeed an intended mode of operation.

- High{unterminated}: A driver on the bus is driving the bus. No termination on the bus is active.  
The voltage level of the bus would be nominally VDDQ.
- Hi-z{unterminated}: No driver on the bus is driving the bus. No termination on the bus is active.  
The voltage level of the bus would be undefined, because the bus would be floating.
- Low{unterminated}: A driver on the bus is driving the bus. No termination on the bus is active.  
The voltage level of the bus would be nominally VSSQ.

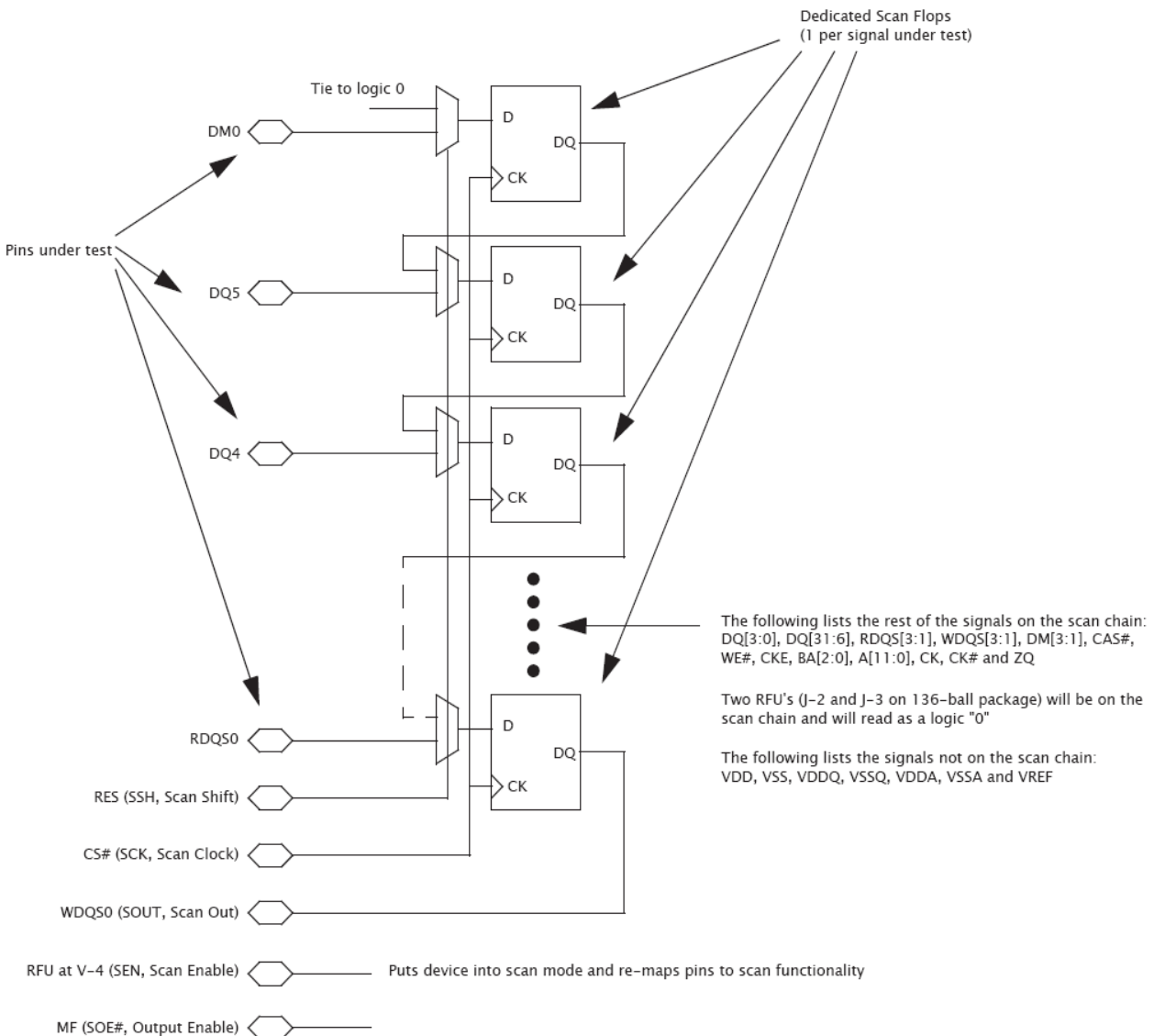
## APPENDIX C Boundary Scan Test Mode

### General Information

The 512Mb GDDR3 incorporates a modified boundary scan test mode as an optional feature. This mode doesn't operate in accordance with IEEE Standard 1149.11990. To save the current GDDR3 ballout, this mode will scan the parallel data input and output the scanned data through WDQS0 pin controlled by an add-on pin, SEN which is located at V4 of 136 ball package.

### Disabling the Scan feature

It is possible to operate the 512Mb GDDR3 without using the boundary scan feature. SEN(at V4 of 136ball package) should be tied LOW(VSS) to prevent the device from entering the boundary scan mode. The other pins which are used for scan mode, RES, MF, WDQS0 and CS# will be operating at normal GDDR3 functionalities when SEN is deasserted.



**Figure C-1: Internal Block Diagram(Reference Only)**



**Table C-1: Boundary Scan (Exit) Order**

BIT#	BALL	PIN	BIT#	BALL	PIN	BIT#	BALL	PIN	BIT#	BALL	PIN
1	D-3	RDQ0	18	G-9	BA1	35	P-10	RDQS2	52	K4	A0
2	C-2	DQ2	19	H-9	WE#	36	R-11	DQ20	53	K-3	A2
3	C-3	DQ3	20	H-10	BA2	37	R-10	DQ21	54	K-2	A10
4	B-2	DQ0	21	H-11	A5	38	T-11	DQ22	55	L-4	A11
5	B-3	DQ1	22	J-11	CK	39	T-10	DQ23	56	J-3	RFU2
6	A-4	ZQ	23	J-10	CK#	40	T-3	DQ31	57	J-2	RFU1
7	B-10	DQ9	24	L-9	A7	41	T-2	DQ30	58	H-2	A1
8	B-11	DQ8	25	K-11	A8	42	R-3	DQ29	59	H-3	RAS#
9	C-10	DQ11	26	K-10	A6	43	R-2	DQ28	60	H-4	CKE
10	C-11	DQ10	27	K-9	A4	44	P-3	RDQS3	61	G-4	BA0
11	D-10	RDQ1	28	M-9	A9	45	P-2	WDQS3	62	F-4	CAS#
12	D-11	WDQS1	29	M-11	DQ16	46	N-3	DM3	63	F-2	DQ6
13	E-10	DM1	30	L-10	DQ17	47	M-3	DQ27	64	G-3	DQ7
14	F-10	DQ13	31	N-11	DQ18	48	N-2	DQ26	65	E-2	DQ4
15	E-11	DQ12	32	M-10	DQ19	49	L-3	DQ25	66	F-3	DQ5
16	G-10	DQ15	33	N-10	DM2	50	M-2	DQ24	67	E-3	DM0
17	F-11	DQ14	34	P-11	WDQS2	51	M-4	A3			

**Note:**

1. When the device is in scan mode, the mirror function will be disabled and none of the pins are remapped.
2. Since the other input of the MUX for DM0 tied to GND, the device will output the continuous zeros after scanning a bit #67, if the chip stays in scan shift mode.
3. Two RFU balls (#56 and #57) in the scan order, will read as a logic "0".

**Table C-2: Scan Pin Descriptions**

BALL	SYMBOL	Normal Function	Type	Descriptions
U-9	SSH	RES	Input	Scan Shift. Capture the data input from the pad at logic LOW and shift the data on the chain at logic HIGH.
F-9	SCK	CS#	Input	Scan Clock. Not a true clock, could be a single pulse or series of pulses. All scan inputs will be referenced to rising edge of the scan clock.
D-2	SOUT	WDQS0	Output	Scan Output.
U-4	SEN	RFU	Input	Scan Enable. Logic HIGH would enable the device into scan mode and will be disabled at logic LOW. Must be tied to GND when not in use.
A-9	SOE#	MF	Input	Scan Output Enable. Enables (registered LOW) and disables (registered HIGH) SOUT data. This pin will be tied to VDD or GND through a resistor (typically 1K) for normal operation. Tester needs to overdrive this pin to guarantee the required input logic level in scan mode.

**Note:**

1. When SEN is asserted, no commands are to be executed by the GDDR3. This applies both to user commands and manufacturing commands which may exist while RES is deasserted.
2. All scan functionalities are valid only after the appropriate power-up and initialization sequence. (RES and CKE, to set the ODT of the C/A)
3. In scan mode, the ODT for the address and control lines set to a nominal termination value of ZQ. The ODT for DQ's will be disabled. It is not necessary for the termination to be calibrated.
4. During the power-up and initialization sequence, ZQ pin should be maintained the connection to VSSQ through proper RQ.
5. In a double-load clam-shell configuration, SEN will be asserted to both devices. Separate two SOE#'s should be provided to top and bottom devices to access the scanned output. When either of the devices is in scan mode, SOE# for the other device which is not in a scan will be disabled.

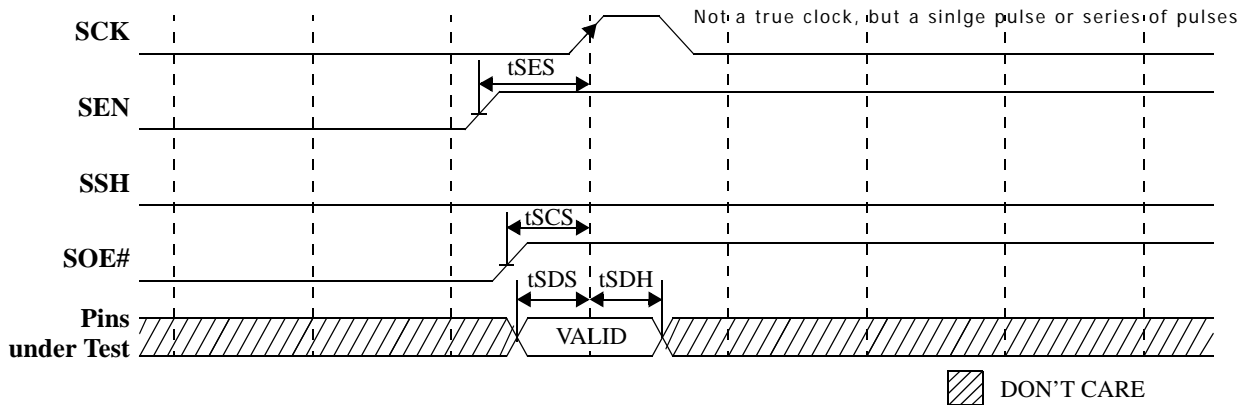
**Table C-3: Scna DC Electrical Characteristics and Operating Conditions**

Parameter/Conditionss	Symbol	MIN	MAX	Units
Input High(Logic 1) Voltage	VIH(DC)	VREF+0.15	-	V
Input Low(Logic 0) Voltage	VIL(DC)	-	VREF-0.15	V

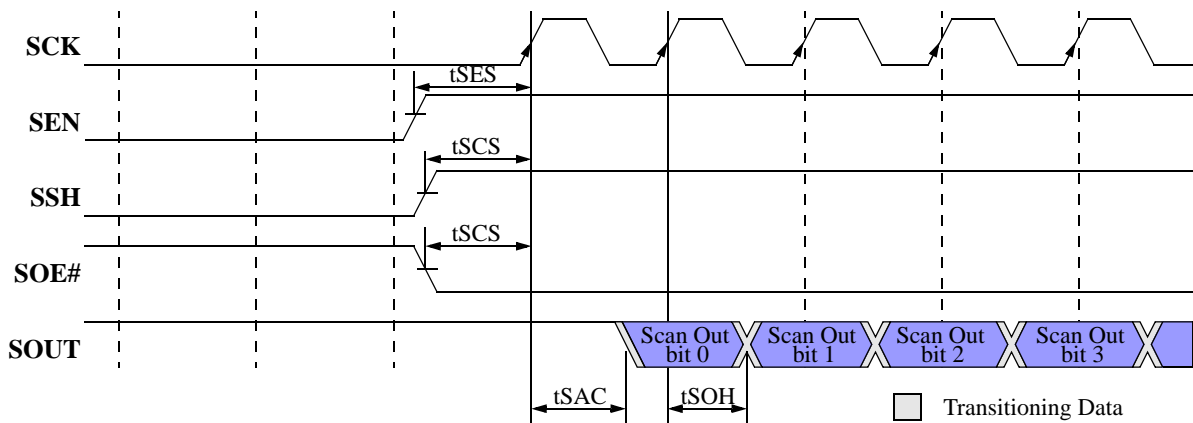
**Note:**

1. The parameter applies only when SEN is asserted.
2. All voltages referenced to GND.

**Figure C-2: Scan Capture Timing**



**Figure C-3: Scan Shift Timing**



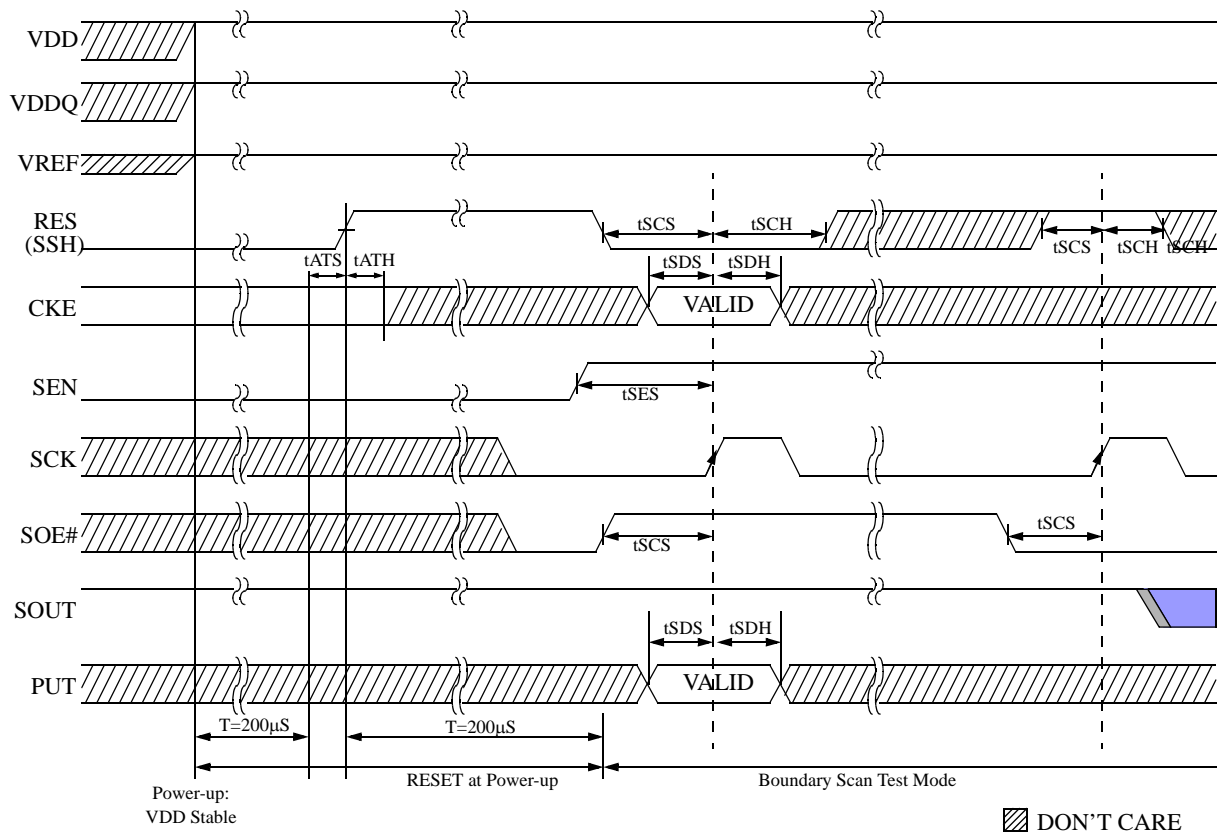
**Table C-1: Scan AC Electrical Charateristics**

Parameters/Conditions	SYMBOL	MIN	MAX	UNITS	NOTE
Clock					

Parameters/Conditions	SYMBOL	MIN	MAX	UNITS	NOTE
Clock Cycle time	tSCK	40	-	nS	1
<b>Scan Command Time</b>					
Scan enable setup time	tSES	20	-	nS	1,2
Scan enable hold time	tSEH	20	-	nS	1
Scan command setup time for SSH, SOE# and SOUT	tSCS	14	-	nS	1
Scan command hold time for SSH, SOE# and SOUT	tSCH	14	-	nS	1
<b>Scan Capture Time</b>					
Scan capture setup time	tSDS	10	-	nS	1
Scan capture hold time	tSDH	10	-	nS	1
<b>Scan Shift Time</b>					
Scan clock to valid scan output	tSAC	-	6	nS	1
Scan clock to scan output hold	tSOH	1.5	-	nS	1

**Note:**

1. The parameter applies only when SEN is asserted.
2. Scan Enable should be issued earlier than other Scan Commands by 10nS.

**Figure C-4: Scan Initialization Sequence**

**Note:**

To set the pre-defined ODT for C/A, a boundary scan mode should be issued after an appropriate ODT initialization sequence with RES and CKE signals