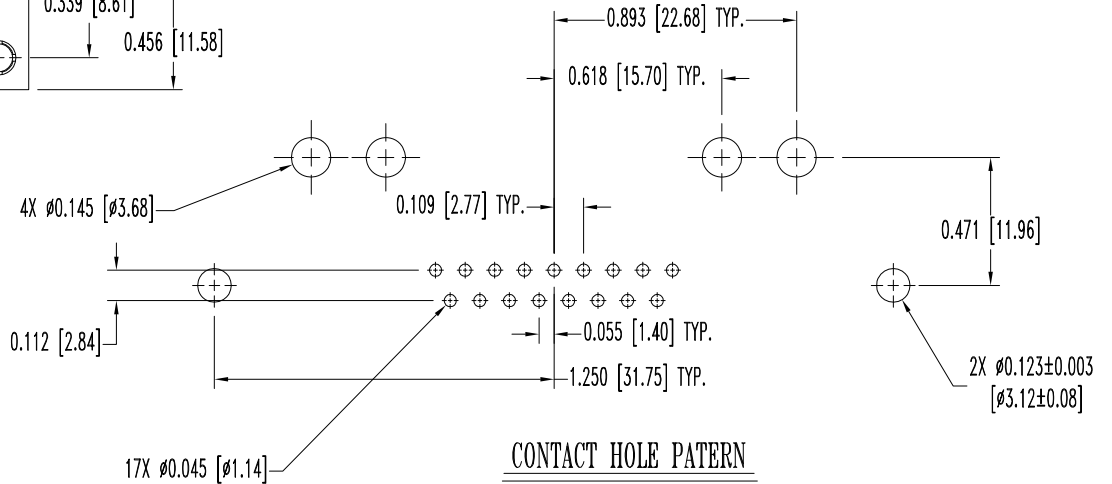
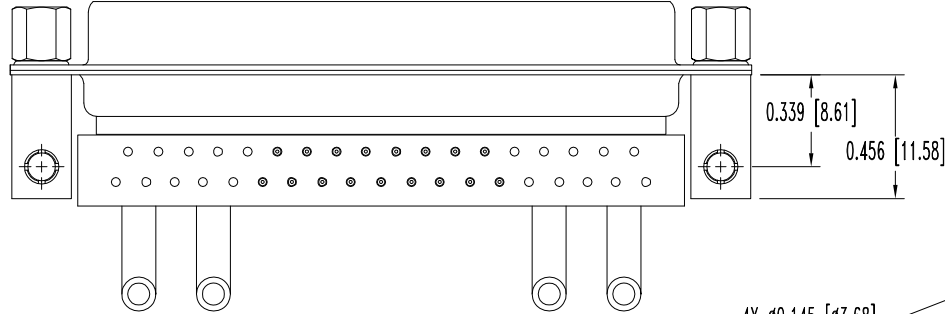
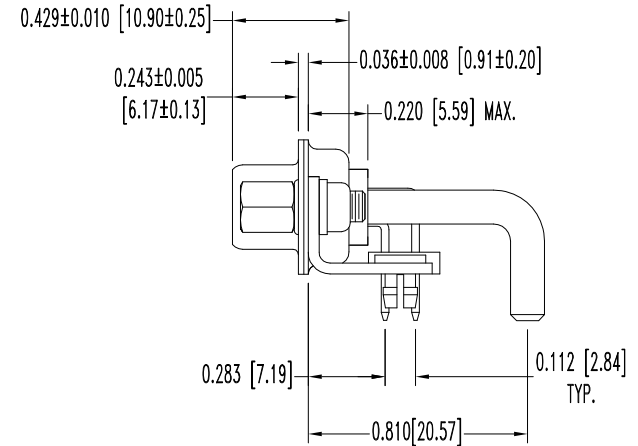
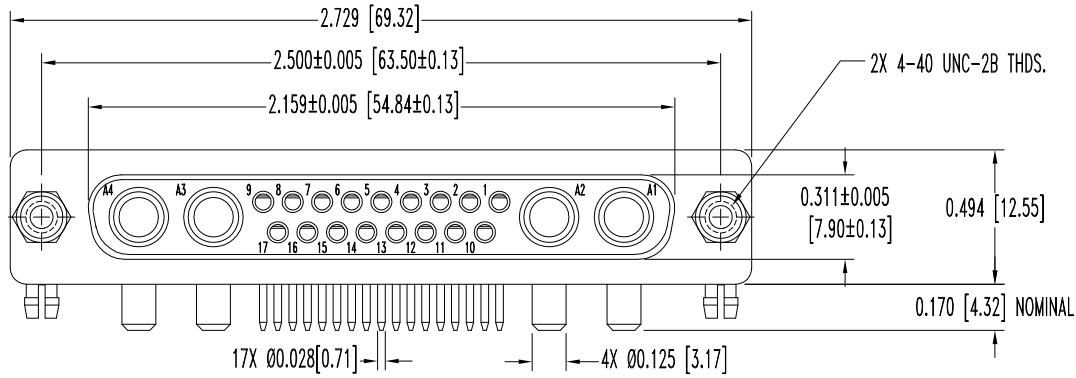


THIS DRAWING CONTAINS INFORMATION PROPRIETARY TO POSITRONIC AND ITS SUBSIDIARIES. POSITRONIC BELIEVES THE DATA ON THIS DRAWING TO BE RELIABLE. SINCE THE TECHNICAL INFORMATION IS GIVEN FREE OF CHARGE, THE USER EMPLOYS SUCH INFORMATION AT HIS OWN DISCRETION AND RISK. POSITRONIC ASSUMES NO RESPONSIBILITY FOR RESULTS OBTAINED OR DAMAGES INCURRED FROM USE OF SUCH INFORMATION IN WHOLE OR IN PART.

DATE	REV	REVISION RECORD	APP	DR	CK
7-30-09	NC	ECO 31054	RCW	BS	COLE
3-19-10	A	ECO 32267	COLE	BE	COLE



NOTES:

- MATERIALS AND FINISHES:
 INSULATOR: GLASS FILLED POLYESTER PER ASTM D5927, UL 94V-0, BLUE COLOR.
 SIGNAL CONTACTS: COPPER ALLOY WITH BERYLLIUM COPPER CLIP, 0.000050 [1.25µ] GOLD OVER NICKEL PLATE.
 POWER CONTACTS: COPPER ALLOY, GOLD FLASH OVER NICKEL PLATE.
 SHELLS: STEEL, TIN PLATE.
 MOUNTING BRACKETS: BRASS, TIN PLATE.
 PUSH-ON FASTENERS: BERYLLIUM COPPER, TIN PLATE.
- DETAILED PRODUCT, ELECTRICAL, AND MECHANICAL INFORMATION IS AVAILABLE IN THE LATEST STANDARD DENSITY COMBO-D PRODUCT PUBLICATION. VISIT CONNECTPOSITRONIC.COM/PRODUCTS/1/STANDARD DENSITY COMBO-D OR CONNECTPOSITRONIC.COM.
- DIMENSIONS ARE IN INCHES [MILLIMETERS].

	POSITRONIC INDUSTRIES INC. www.connectpositronic.com		FSCM 28198
	DECIMAL TOL. ± 0.015 [0.38]	CBD SERIES	SCALE N.T.S.
	TITLE CBM21WA4S57R8NTX		APPROVED BY R WILLIAMS
ANGULAR TOL. ± 5°	DATE 7-30-09	DRAWING NUMBER SK10742	REV. A