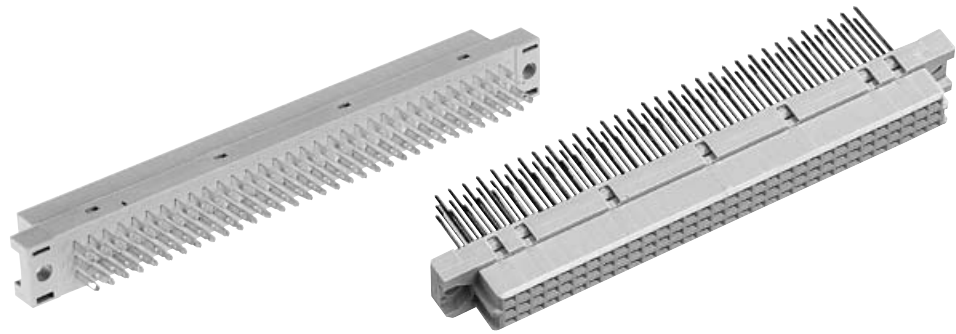


Number of contacts

96, 64



Female connectors

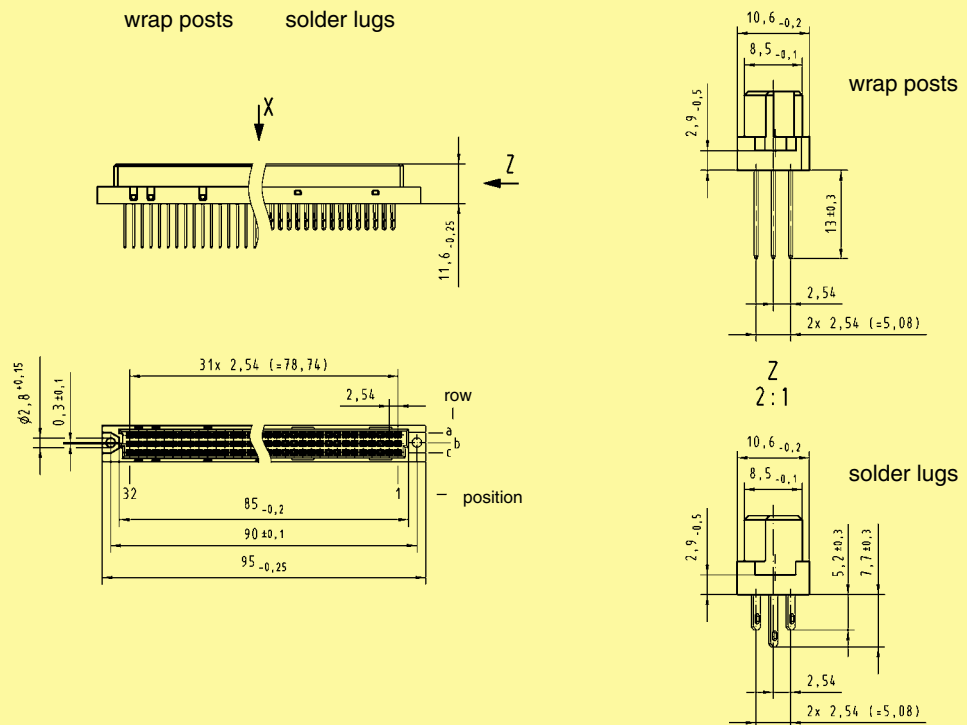
DIN Signal to 2 A

Identification	Number of contacts	Contact arrangement	Part No.	Performance levels according to IEC 60 603-2. Explanation chapter 00
			3	2 1
Female connector with wrap posts ²⁾ 13 mm	96		Performance level 3 on request	09 03 296 6821 09 03 796 6821 ^{c)} 09 03 296 6878 ¹⁾
	64			09 03 264 6821 09 03 264 6878 ¹⁾
Female connector with solder lugs	96			09 03 296 6823
a + c 5.2 mm b 7.7 mm	64			09 03 264 6823

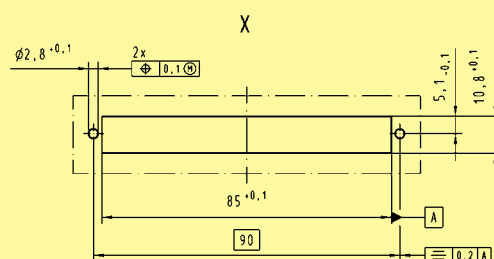
Female connector with press-in pins

Part Nos. and variants see chapter 04

Dimensions



Panel cut out



Identification strips for female connectors with wrap posts 09 03 000 9939

Dimensions in mm

¹⁾ Wrap posts for interfacing, selectively gold-plated (performance level 3)
²⁾ To be used only for wire wrap termination. Solder versions see page 01.21
^{c)} Connectors with coding see page 01.44