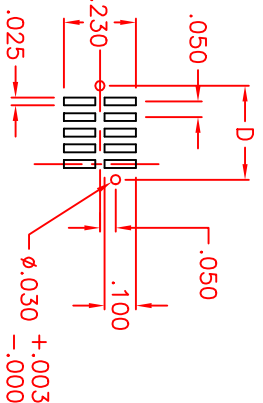
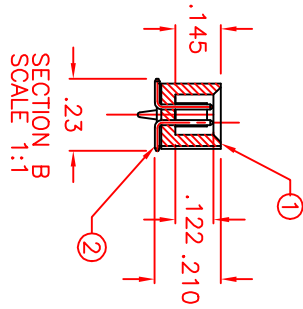
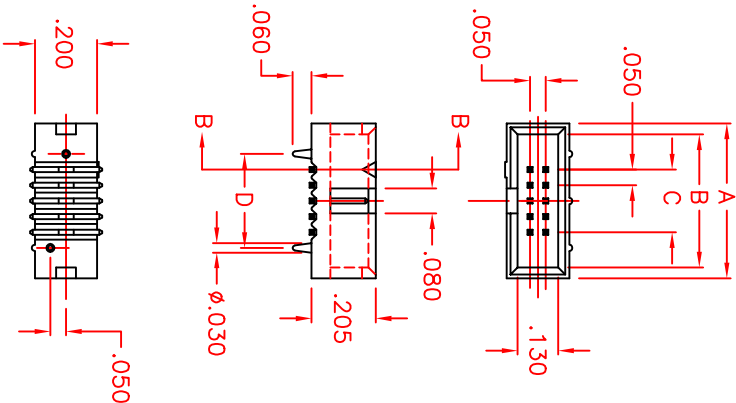


THIS DRAWING CONTAINS PROPRIETARY INFORMATION. IT IS THE PROPERTY OF INTERCONNECT SYSTEMS, INC. AND IS NOT TO BE REPRODUCED, COPIED, OR TRANSMITTED IN ANY FORM OR BY ANY MEANS, ELECTRONIC OR MECHANICAL, INCLUDING PHOTOCOPYING, RECORDING, OR BY ANY INFORMATION STORAGE AND RETRIEVAL SYSTEM, WITHOUT THE WRITTEN PERMISSION OF INTERCONNECT SYSTEMS, INC.

REVISIONS				
ECO NO.	REV.	DESCRIPTION	DATE	APPROVED
92369	C	UPDATE INSULATOR INFO	7/5/2011	



NUMBER OF CONTACTS	A	B	C	D
10	.500	.425	.200	.300
14				
16				
20				
26	.900	.825	.600	.700
34				
40				
50				
60				
64				

~~IS NOT AVAILABLE IN STOCK~~

3. PART NO: 51646 - XX YY  
 PLATING (SEE NOTE 1)  
 NO. OF CONTACTS (SEE CHART)  
 BASE PART NO.

2. MATERIALS: CONTACT - PHOS/BRONZE PER C51000.  
 INSULATOR - XYDAR LCP RESIN: G-930, RoHS COMPLIANT.  
 30% GLASS FILLED THERMOPLASTIC,  
 94V-0, BLK. RATED -65°C TO +250°C.

1. FINISH: TLF - PURE BRIGHT TIN PLATE PER ASTM B545, .000150 MIN.  
 OVER NICKEL PER QQ-N-290, .000050 MIN.  
 G2LF - GOLD PLATE PER MIL-G-45204, TYPE II,  
 .000010 MIN. ON ENGAGEMENT END, AND PURE BRIGHT TIN  
 PLATE PER ASTM B545, .000150 MIN. ON  
 TERMINATION END OVER NICKEL PER QQ-  
 N-290, .000050 MIN.

NOTES: UNLESS OTHERWISE SPECIFIED

FIND	QTY	PART NO.	DESCRIPTION
2	A/R	P24-01-265	CONTACT, PIN, .016 SQ.
1		40901-XX	INSULATOR, BOX, S/M, .050 P

LIST OF MATERIALS  
 INTERCONNECT SYSTEMS, INC.

UNLESS OTHERWISE SPECIFIED: DIMENSIONS ARE IN INCHES AND TOLERANCES ARE:			
FRACTIONS	DECIMALS	ANGLES	
±1/64	.XXX ± .010	±1°	
±1/64	.XX ± .02		
DRAWN BY: MMH	DATE: 11/2/04	CAT. NO:	SIZE/DWG NO: 51646-XXXX
APPROVED:		SCALE:	TOOL NO:
MATERIAL:	SEE NOTE 2		
FINISH:	SEE NOTE 1		

