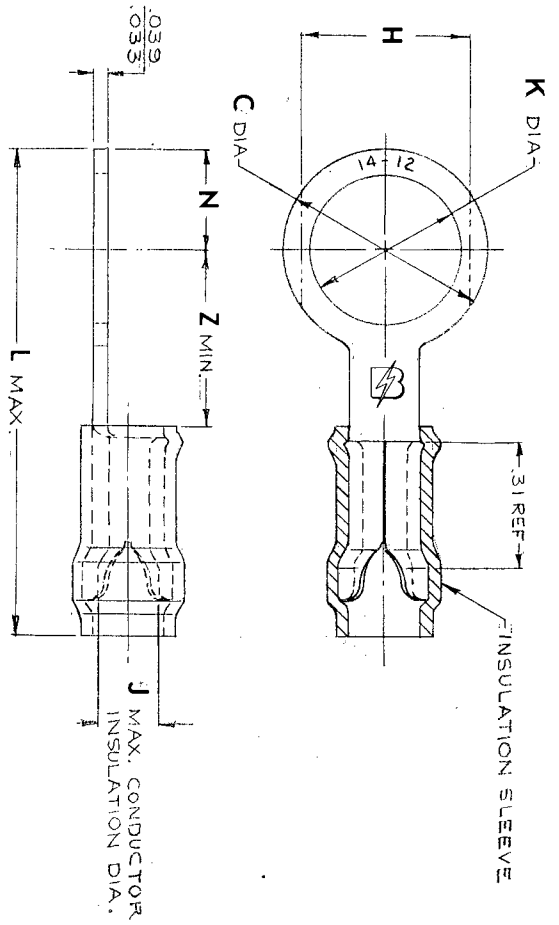


0309505

0309505



REV.	DATE	REVISION DESCRIPTION	BY	CR'D.
6	6-3-68	REDRAWN W/O CHANGE (D04081)	RT	JJS
7	9-20-68	CHG AFFECTS SHT 4 (DC5259)	JJS	RT
8	4-16-69	CHG AFFECTS SHT 5 (CC3723)	KT	GRS
9	12-3-69	SEE REV. REF. PRINT (D06069)	WNR	GFD
10	1-28-70	CHG AFFECTS SHT 1 (EC T-102)	RT	GRS
11	3-9-70	CHG AFFECTS SHT 5 (EC T-173)	RT	GRS
12	2-10-71	J MAX. COND. INS. DIA. WAS J MAX (EC T-218)	ESK	RT
13	1-29-71	SEE SHT. 5 (EC T-295)	ESK	RT
14	5-17-74	NOTE ADDED (DC5228)	LH	SEP

CABLE	STUD SIZE	CATALOG NO	C		K		N		H		J		Z		L	
			MAX	MIN	MAX	MIN	MAX	MIN	MAX	MIN	MAX	MIN	MAX	MIN	MAX	
	8, 9, 10	YAE12-N	.317	.307	.203	.193	.176	.136					.286	1.060		
	6, 7, 8	YAE12-N1	.458	.448	.178	.168	.246	.206					.403	1.247		
	1/4	YAE12-N2	.533	.523	.277	.267	.284	.244				.180	.412	1.294		
	5/16	YAE12-N3			.333	.323										
	3/8	YAE12-N4			.395	.385										
	10M/M	YAE12-N6			.418	.408										
	5M/M	YAE12-N7			.212	.202										
	6, 7, 8	YAE12-N9	.317	.307	.178	.168	.176	.136					.286	1.060		
	4, 5, 6	YAE12-G10			.152	.142			.276	.264						
	3/8	YAE12-G12	.535	.523	.403	.393	.284	.244					.412	1.294		
	6, 7, 8	YAE12-G15	.317	.307	.178	.168	.176	.136				.203	.286	1.060		
	4, 5, 6	YAE12-N14	.250	.240	.152	.142	.143	.103				.180	.286	1.023		

MIL-W-5086
AN14-AN12

REFERENCE:
FDS6304 FACTORY DETAIL

NOTE:
RECOGNIZED UNDER THE COMPONENT PROGRAM OF UNDERWRITERS LABORATORIES, INC.

SUPERSEDES: SCS56030-S SHT 3

FSCM 09922

INSULATED TERMINAL

CAT. NO. YAE12-N6 G (SEE TABLE)	SCALE 3X SIZE
DRAWN 6-3-68	CHECKED JJS 5-6-68
DES. APPROV. FGM 7-11-68	PROD. APPROV.

BURNDY
Gosford
NORWALK, CONNECT.

SC56030 14
SHT. 3 OF 5