

BLFA054SYCK-6V-P

SUPER BRIGHT YELLOW

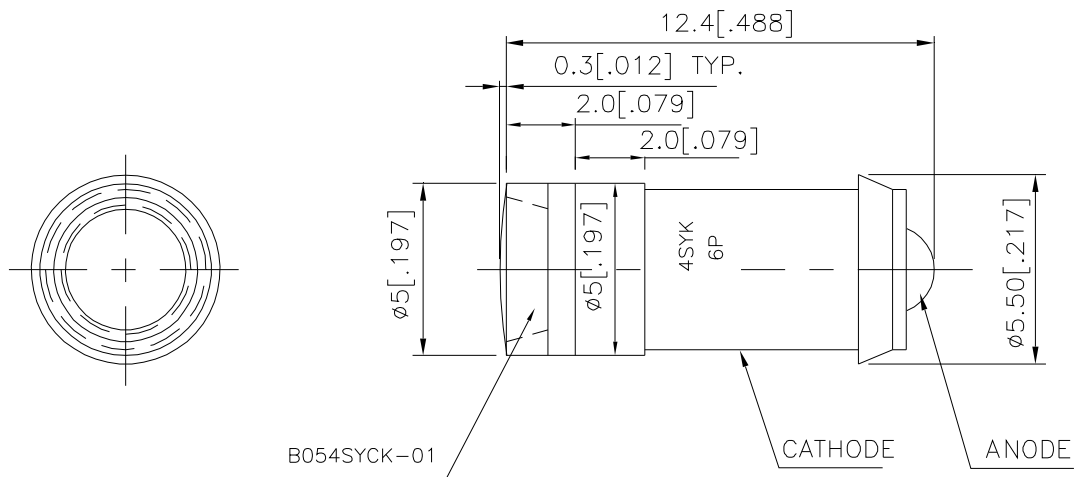
### Features

- BUILT-IN CURRENT LIMITING RESISTOR FOR DIRECT APPLICATION OF DIFFERENT ACROSS CURRENT.
- LONG LIFE.
- LOW MAINTENANCE.
- DIFFERENT COLOR AVAILABLE.
- SOLID STATE, HIGH VIBRATION RESISTANT.
- 6V INTERNAL RESISTOR.
- RoHS COMPLIANT.

### Description

The Super Bright Yellow source color devices are made with DH InGaAlP on GaAs substrate Light Emitting Diode.

### Package Dimensions



**Notes:**

1. All dimensions are in millimeters (inches).
2. Tolerance is  $\pm 0.25$  (0.01") unless otherwise noted.
3. Specifications are subject to change without notice.

## Selection Guide

Part No.	Dice	Lens Type	Iv (mcd) V=6V		Viewing Angle
			Min.	Typ.	θ1/2
BLFA054SYCK-6V-P	SUPER BRIGHT YELLOW (InGaAlP)	WATER CLEAR	36	130	110°

Note:

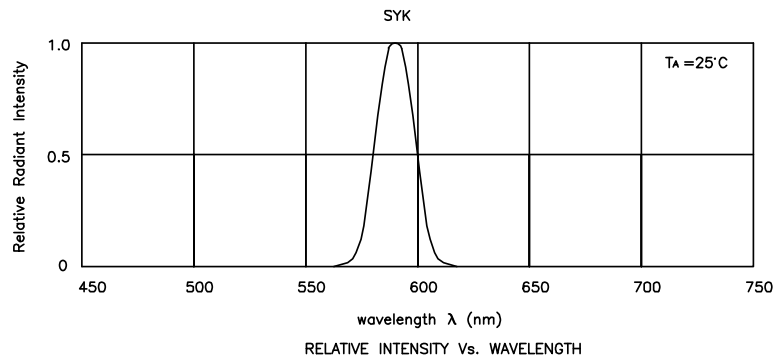
1. θ1/2 is the angle from optical centerline where the luminous intensity is 1/2 the optical centerline value.

## Electrical / Optical Characteristics at TA=25°C

Symbol	Parameter	Device	Typ.	Max.	Units	Test Conditions
$\lambda_{peak}$	Peak Wavelength	Super Bright Yellow	590		nm	V <sub>F</sub> =6V
$\lambda_D$	Dominant Wavelength	Super Bright Yellow	590		nm	V <sub>F</sub> =6V
$\Delta\lambda_{1/2}$	Spectral Line Half-width	Super Bright Yellow	20		nm	V <sub>F</sub> =6V
I <sub>F</sub>	Forward Current	Super Bright Yellow	20		mA	V <sub>F</sub> =6V
I <sub>R</sub>	Reverse Current	Super Bright Yellow		10	uA	V <sub>R</sub> = 5V

## Absolute Maximum Ratings at TA=25°C

Parameter	Super Bright Yellow	Units
Power dissipation	140	mW
Forward Voltage	7	V
Reverse Voltage	5	V
Operating Temperature	-40°C To +70°C	
Storage Temperature	-40°C To +85°C	



## Super Bright Yellow

## BLFA054SYCK-6V-P

