

**KLP42X Series**  
**Stacked RCA Phono Jack PCB Mount**

**Features**

- Audio Applications for Computers and Multimedia
- Gold Plating Available Upon Request
- Various Color and Stacking Options Available

**Performance Specifications**

**Materials and Finish**

**Housing:** PBT Thermoplastic, UL 94V-0 Rated  
**Terminals:** Brass, Tin Plated

**Electrical Characteristics**

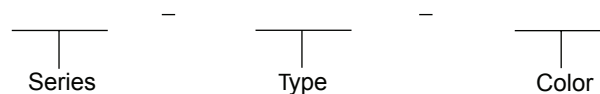
**Rated Current:** 0.3A  
**Rated Voltage:** 16V DC  
**Contact Resistance:** 50 milliohms Max.  
**Insulation Resistance:** 100 Megohms Min. at 500V DC  
**Dielectric Strength:** 500V AC RMS for 1 minute

**Mechanical Characteristics**

**Insertion Force:** 0.3kg - 5.0kg  
**Extraction Force:** 0.3kg - 5.0kg  
**Durability:** 1000 Mating Cycles Min.  
**Operating Temperature:** -25°C to +70°C

**RCA PHONO JACKS**  
**KLP42X Series**

**Ordering Information**



**Series**

KLP42X - Stacked RCA Phono Jack

**Type**

60 - Single Column, Double Row  
61 - Double Column, Double Row  
62 - Triple Column, Double Row

**Color Layout**

60 - X / Z  
61 - X, X1 / Z, Z1  
62 - X, Z / X1, Z1 / X2, Z2

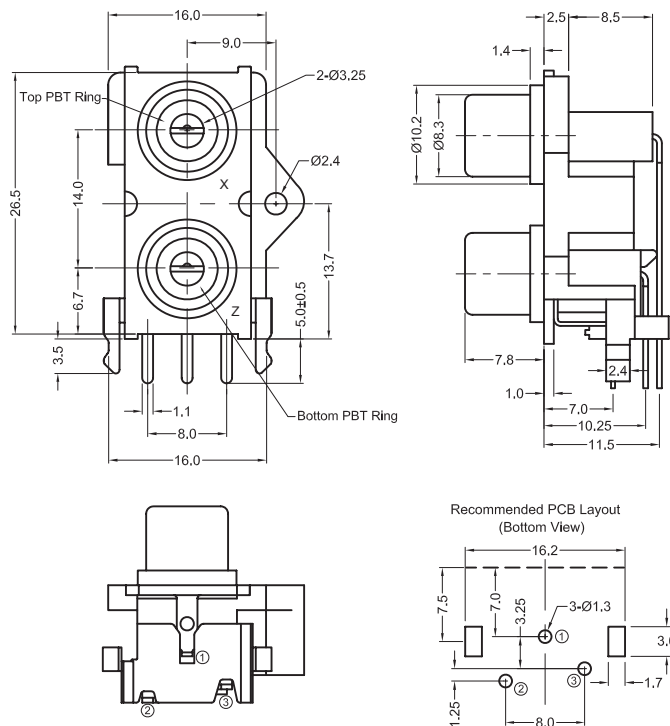
**Color Option**

60 - B/B ,R/R ,R/W ,W/R ,W/W ,Y/Y  
61 - BB/BB ,RR/WW ,WB/RW ,WR/BB ,WR/WR ,  
WW/RR ,YW/YW ,YY/WW ,YY/YY ,RW/RW  
62 - BY/RW ,RY/WW ,RR/WW/YY ,RW/RW/RW ,RW/RW/YY ,  
WR/WR/WR ,WW/RR/YY ,YY/YY/YY  
B - Black    R - Red    W - White    Y - Yellow

Contact Kycon for other options

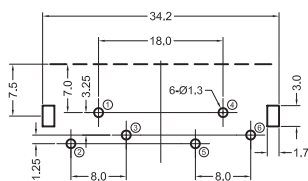
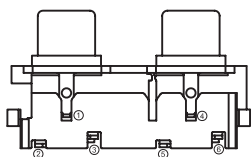
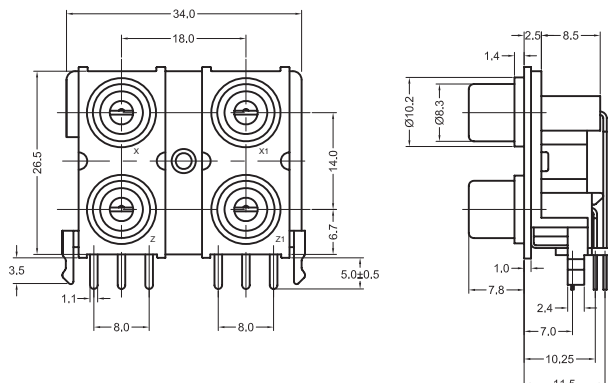
**KLP42X-60**

Dimensions in mm

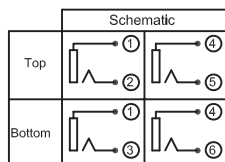


\*See next page for more dimensions

KLP42X-61-xx/xx  
Dimensions in mm



Recommended PCB Layout  
(Bottom View)



KLP42X-62-xx/xx/xx  
Dimensions in mm

