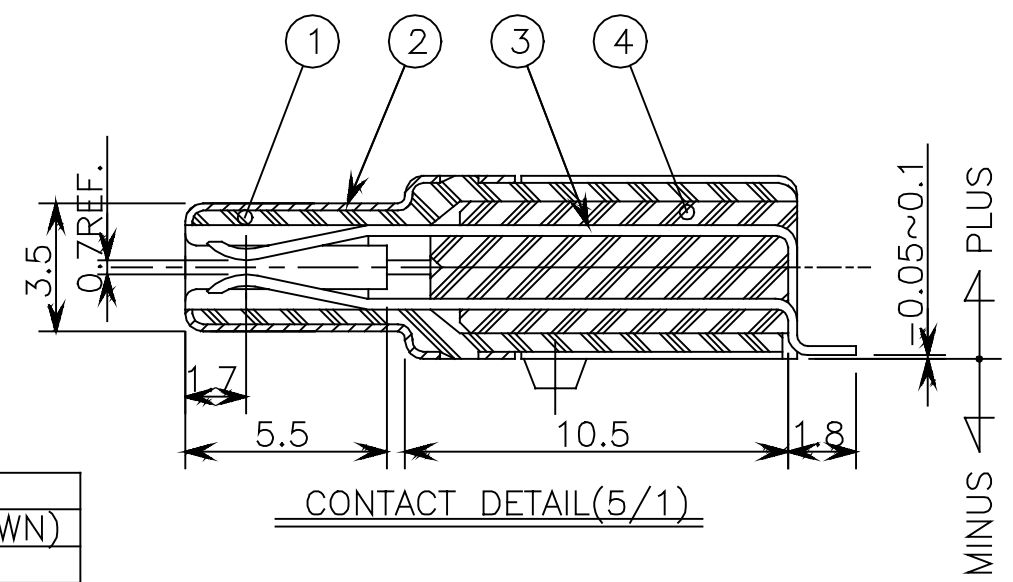
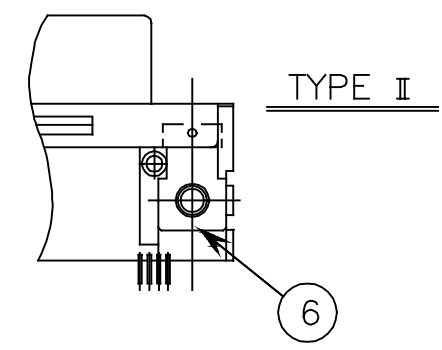
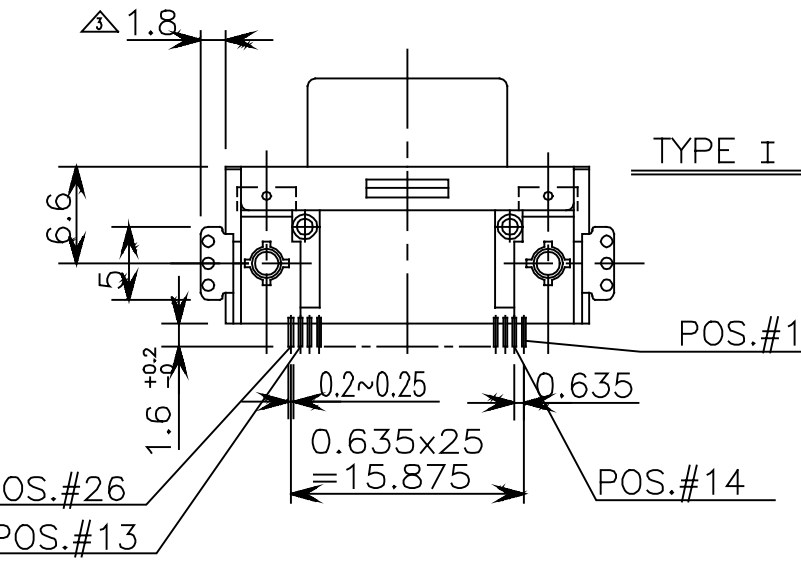
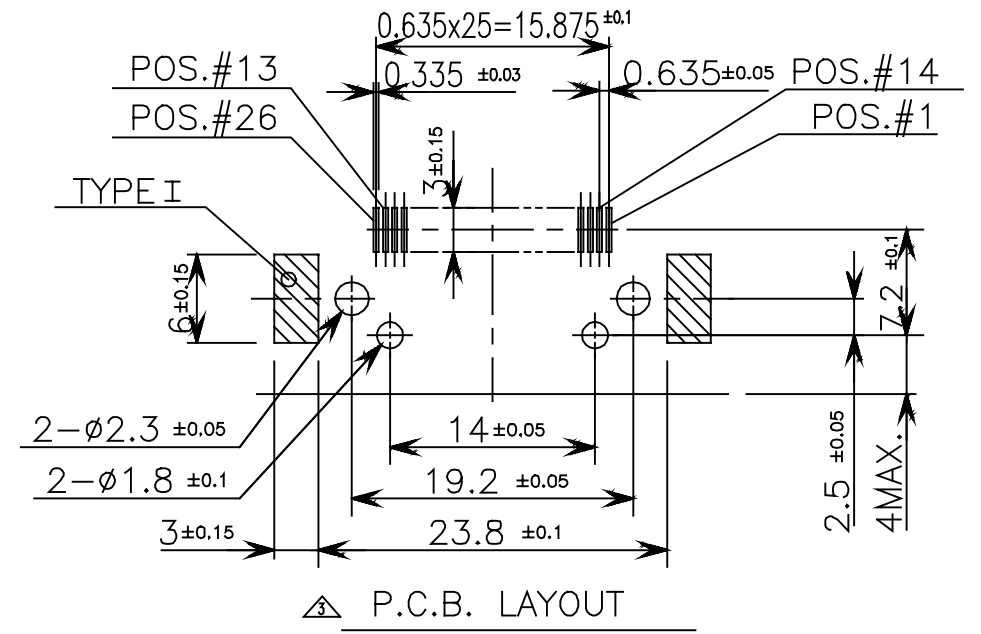
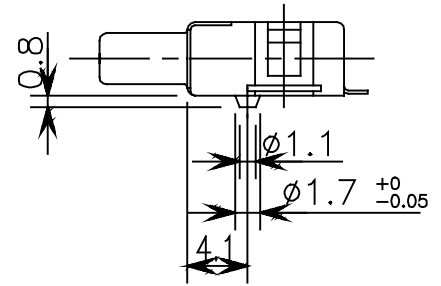
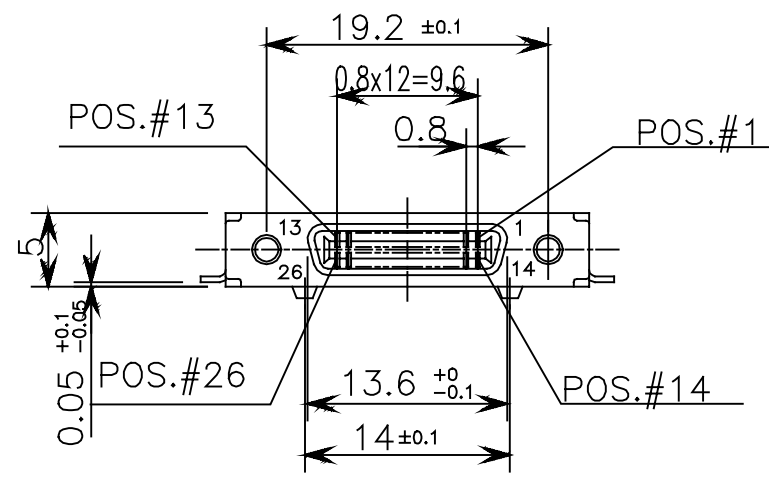


HONDA  
PRINT RM  
MAR.16.1999  
ISSUED



PART NO.	MOUNTING STRUCTURE
HDR-EA26LFYPG1	TYPE I (SCREW+HOLD DOWN)
HDR-EA26LFYG1	TYPE I (SCREW)



7	HEX.NUT	BRASS	2	NICKEL	M2					
6	EARTH PLATE	PHOSPHOR BRONZE	2	TIN/LEAD						
5	SQR.NUT	BRASS	2	NICKEL	M2					
4	INSULATOR B	PPS(GF)	1		UL94V-0 BLACK COLOR					
3	CONTACT	PHOSPHOR BRONZE	26	SEE NOTE 2						
2	SHELL	STEEL	1	NICKEL						
1	INSULATOR A	LCP(GF)	1		UL94V-0 BLACK COLOR					
LTR.	DATE	BY	REV.	DESCRIPT	NO.	PART NAME	MATERIAL	QTY	FINISH	NOTE

NOTE  
1.SPECIFICATION  
RATED CURRENT:0.5A(PEAK TO PEAK 1A)/1 CONTACT  
VOLTAGE:125V AC(r.m.s.)

2.CONTACT PLATING  
CONTACT AREA:0.76μm MIN.GOLD } ALL OVER 1.5μm MIN.  
TERMINAL AREA:2.6~5μm TIN/LEAD } NICKEL PLATING

DATE	SCALE	UNIT	HONDA TSUSHIN KOGYO., LTD.		
SEP.25(19 95)	2 / 1	mm(INCH)	3RD . A . P		
DR	DE	CHK	CHK	APP	NAME
					0.8mm SPACING 26POS. RIGHT ANGLE FEMALE CONNECTOR
					PART NO. HDR-EA26LFY( )G1
					REV. 3C

HDR-EA26LFYP \*\*\*\*\* EC