



HERCULES™

4.0" (101.6mm) LED

DIGITAL DISPLAYS

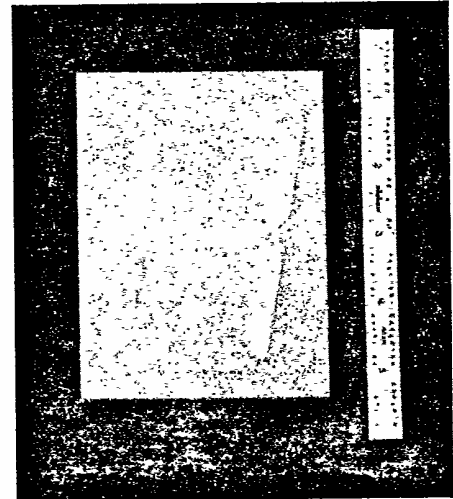
LR4171E
LR4172E

FEATURES

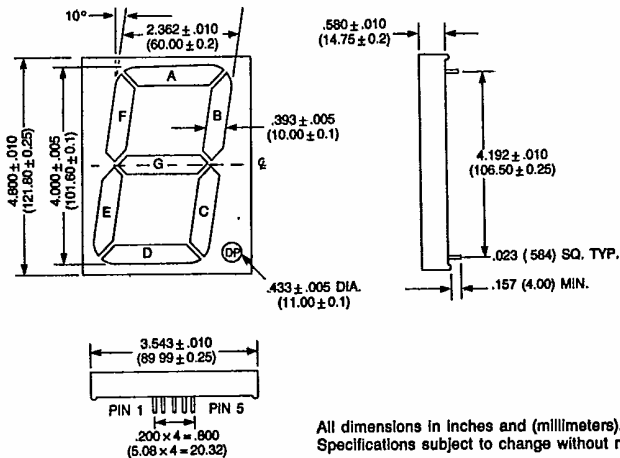
- 4.0 inch character height (101.6mm)
- Viewing distance 100 feet
- High performance nitrogen-doped GaAsP on GaP
- Evenly lighted segments
- Wide viewing angle

SELECTION GUIDE

PART NUMBER	SOURCE COLOR	DESCRIPTION	LUMINOUS INTENSITY (mcd @ 20mA)	
			MIN.	TYP.
LR4171E	Orange	Common Cathode	1.4	2.0
LR4172E	Orange	Common Anode	1.4	2.0



MECHANICAL SPECIFICATIONS



All dimensions in inches and (millimeters).
Specifications subject to change without notice.

PIN FUNCTIONS

PIN	LR4171E	LR4172E
1	Common Cathode	Common Anode
2	Anode E	Cathode E
3	Anode D	Cathode D
4	Anode C	Cathode C
5	Anode DP	Cathode DP
6	Anode B	Cathode B
7	Anode A	Cathode A
8	Common Cathode	Common Anode
9	Anode F	Cathode F
10	Anode G	Cathode G

ABSOLUTE MAXIMUM RATINGS

PARAMETER	RATING
Peak forward current*	1.0A
Reverse voltage per segment	V _R = 3V
Storage and operating temperature	-25 to +85°C
Average forward current	30mA

*1μsec pulse 0.3% duty cycle.

ELECTRO-OPTICAL CHARACTERISTICS (T_a = 25°C)

PARAMETER	MIN	TYP	MAX	UNIT	CONDITIONS
Forward voltage		8.4	12.0	V	I _F = 20mA (Seg)
		4.2	6.0		I _F = 20mA (Dp)
Peak emission wavelength		635		nm	I _F = 10mA
Reverse current (Seg) (Dp)			0.1	mA	V _R = 20V
			0.1		V _R = 10V
Luminous intensity	1.4	2.0		mcd	I _F = 20mA