

MICRO SWITCH

A DIVISION OF MINNEAPOLIS-HONEYWELL REGULATOR COMPANY

PROOF, MASSACHUSETTS

FED. MFR. CODE 91929

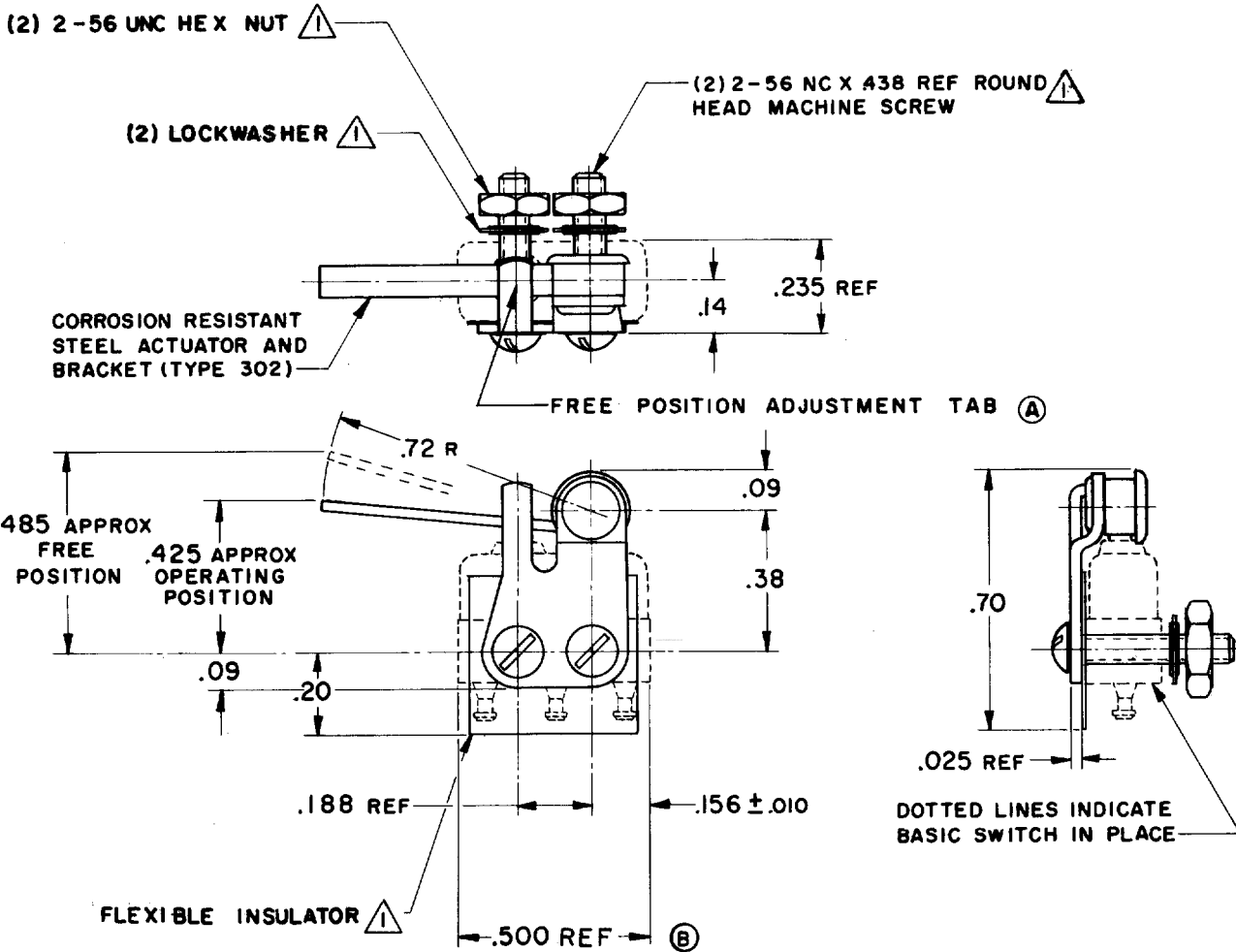
SWITCH - ACTUATOR

CATALOG LISTING

JX-20

5

M JX-20
 DRAWING NUMBER
 ISSUE
 REVISIONS
 A SR 7915
 L M H
 13 NOV 58
 B CO14274
 M B F
 8 DEC 59
 C CO47771
 C J H
 17 MAY 80
 D CO74163
 D H D
 22 APR 93
 R. E. R. 18 SEPT 58
 G. C. H. 24 NOV 58
 CHECK B. L. S. 14 NOV 58
 CHECK R. E. D. 23 SEPT 58
 CHECK
 REPLACES
 RELEASE NO. SR-7915
 FO-50378
 DRAWN



NOTE -
 ▲ - FURNISHED UNASSEMBLED.

THIS DRAWING COVERS A PROPRIETARY ITEM AND IS THE PROPERTY OF MICRO SWITCH, A DIVISION OF MINNEAPOLIS-HONEYWELL REGULATOR CO. THIS DRAWING IS NOT TO BE COPIED OR USED WITHOUT THE APPROVAL OF MICRO SWITCH.

CHARACTERISTICS WITH ISX1-T BASIC SWITCH INSTALLED		ELECTRICAL DATA		SCALE 2 TO 1
OPERATING FORCE	----- 1 OZ APPROX	CONTACT ARRANGEMENT	BREAK DISTANCE	DO NOT SCALE PRINT
RELEASE FORCE	----- 4 GRAMS MIN			UNLESS OTHERWISE SPECIFIED
DIFFERENTIAL TRAVEL	----- .030 APPROX			DIMENSIONS ARE IN INCHES
OVERTRAVEL	----- .030 APPROX			TOLERANCES ARE:
				ONE PLACE (.0) ±.030
				TWO PLACE (.00) ±.018
				THREE PLACE (.000) ±.008
				ANGLES ±
				WEIGHT