

PLEASE CHECK WWW.MOLEX.COM FOR LATEST PART INFORMATION

Part Number: [0039285104](#)
Status: **Active**
Description: 2.54mm (.100") Pitch QF-50™, Right Angle, Dual Row, Single Polarization, Shrouded Header, 10 Circuits

Documents:

[3D Model](#) [Product Specification PS-5320-006 \(PDF\)](#)
[Drawing \(PDF\)](#) [RoHS Certificate of Compliance \(PDF\)](#)
[Product Specification PS-5320-005 \(PDF\)](#)

Agency Certification

UL E29179

General

Product Family Ribbon Cable / Wire Trap Connectors
 Series [5342](#)
 Component Type PCB Header
 Glow-Wire Compliant No
 Product Name QF-50™

Physical

Circuits (Loaded) 10
 Entry Angle 90° Angle
 Flammability 94V-0
 Lock to Mating Part None
 Material - Metal Brass
 Material - Plating Mating Tin
 Material - Plating Termination Tin
 Number of Rows 2
 PCB Retention None
 PCB Thickness Recommended (in) 0.063 In
 PCB Thickness Recommended (mm) 1.60 mm
 Packaging Type Tray
 Pitch - Mating Interface (in) 0.100 In
 Pitch - Mating Interface (mm) 2.54 mm
 Polarized to Mating Part Yes
 Polarized to PCB No
 Shrouded Yes
 Stackable No
 Surface Mount Compatible (SMC) No
 Temperature Range - Operating -40°C to +105°C
 Wire Insulation Diameter N/A
 Wire Size AWG N/A
 Wire/Cable Type Ribbon Cable

Electrical

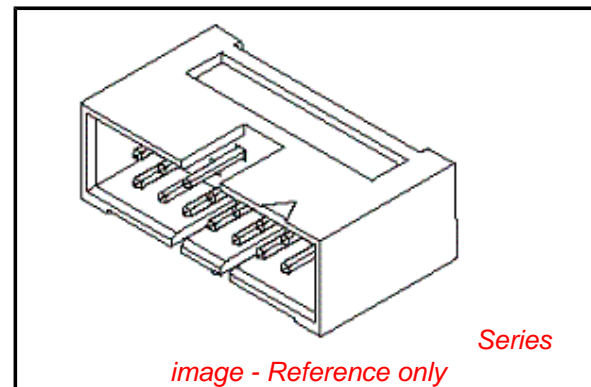
Current - Maximum per Contact 1A
 Voltage - Maximum 250V

Material Info

Old Part Number 5342-10T2

Reference - Drawing Numbers

Product Specification PS-5320-005, PS-5320-006
 Sales Drawing SD-5342-001, SD-5342-002



EU RoHS

**ELV and RoHS
 Compliant**
**REACH SVHC
 Contains SVHC: No**
**Halogen-Free
 Status**

China RoHS



**Need more information on product
 environmental compliance?**

Email productcompliance@molex.com
 For a multiple part number RoHS Certificate of
 Compliance, [click here](#)

Please visit the [Contact Us](#) section for any
 non-product compliance questions.

Search Parts in this Series

[5342Series](#)

Mates With

[5320](#)

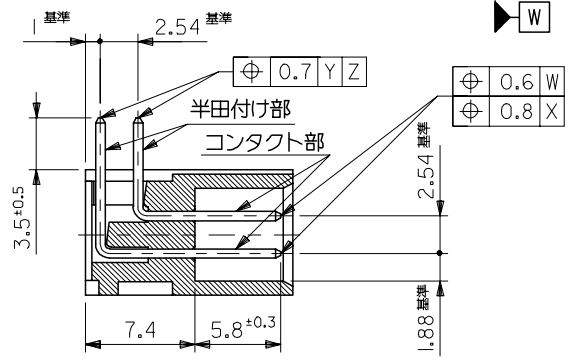
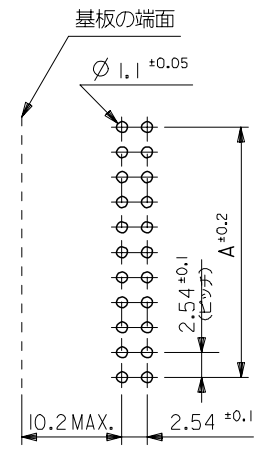
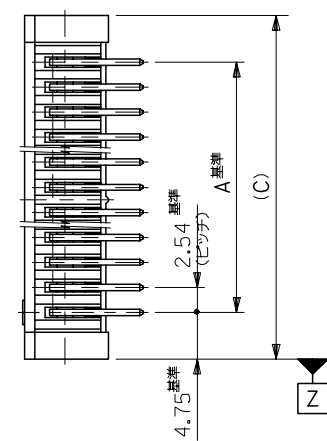
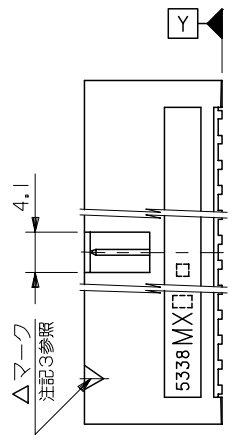
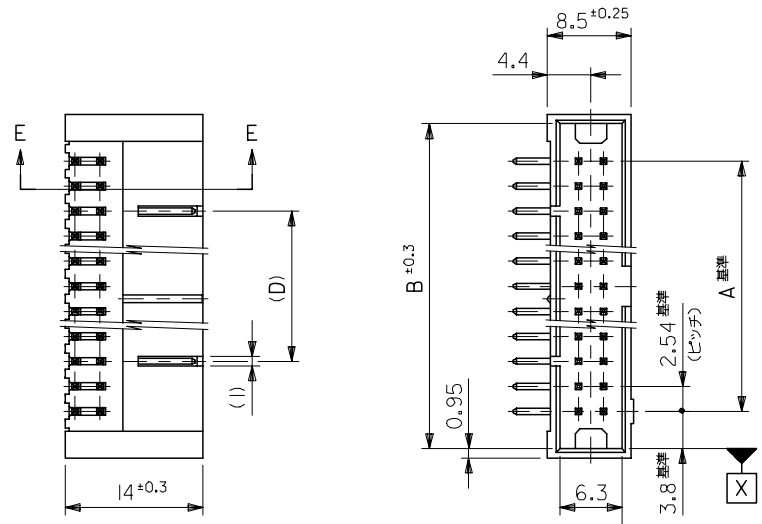
This document was generated on 05/03/2010

PLEASE CHECK WWW.MOLEX.COM FOR LATEST PART INFORMATION

10 9 8 7 6 5 4 3 2 1

F
E
D
C
B
A

F
E
D
C
B
A



SECT. E-E (SCALE 3-1)

注記

- 材料 ウエハー : ガラス繊維 15% 入り PBTP (UL94V-0), 黒色
ピン : 黄銅, サイズ $\square 0.635$
- 嵌合相手 : 5320 シリーズ
- 使用符号の説明

5342 - N *
ベースナンバー _____
極数 _____
ピンのメッキコード _____

コード*	Δマークの色	コンタクト部	半田付け部	下地メッキ
GS1	黄	金 0.1 μ m MIN.	半田 3 μ m MIN.	ニッケル 1 μ m MIN.
LEAD-FREE GS17F	黄	金 0.1 μ m MIN.	錫 1 μ m MIN.	ニッケル 1 μ m MIN.
LEAD-FREE T2	黒		錫 1 μ m MIN.	ニッケル 0.5 μ m MIN.

60	73.66	81.26	83.16	63.50
50	60.96	68.56	70.46	50.80
40	48.26	55.86	57.76	38.10
34	40.64	48.24	50.14	30.48
30	35.56	43.16	45.06	25.40
26	30.48	38.08	39.98	—
20	22.86	30.46	32.36	—
16	17.78	25.38	27.28	—
14	15.24	22.84	24.74	—
10	10.16	17.76	19.66	—
極数	A 寸法	B 寸法	C 寸法	D 寸法

REVISED EC NO: J2006-0712 DRWN: YANAGI MOTO 2005/10/03 CHKD: TANAKA 2005/10/06 APPR: NUKITA 2005/10/14	GENERAL TOLERANCES (UNLESS SPECIFIED)		DIMENSION STYLE MM ONLY		SCALE 2:1	DESIGN UNITS METRIC	THIRD ANGLE PROJECTION
	10 UNDER	±0.2	DRAWN BY H. HIRAMOTO	DATE 1990/06/19	TITLE QIK FLECS WAFER ASSY RA		
	10 OVER 30 UNDER	±0.25	CHECKED BY M. SASAO	DATE			
	30 OVER	±0.3	APPROVED BY H. IKESUGI	DATE	MOLEX MOLEX INCORPORATED		
	ANGULAR ±3°	DRAFT WHERE APPLICABLE MUST REMAIN WITHIN DIMENSIONS	MATERIAL NO. SEE SHEET 2 OF 2	DOCUMENT NO. SD-5342-001	SHEET NO. 1 OF 2		
			THIS DRAWING CONTAINS INFORMATION THAT IS PROPRIETARY TO MOLEX INCORPORATED AND SHOULD NOT BE USED WITHOUT WRITTEN PERMISSION				

10 9 8 7 6 5 4 3 2 1

F

F

E

E

D

D

C

C

B


B

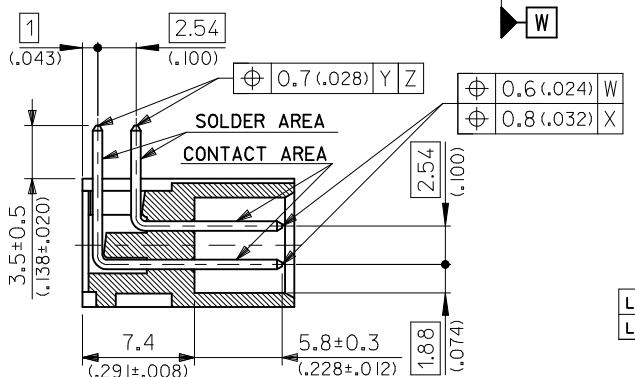
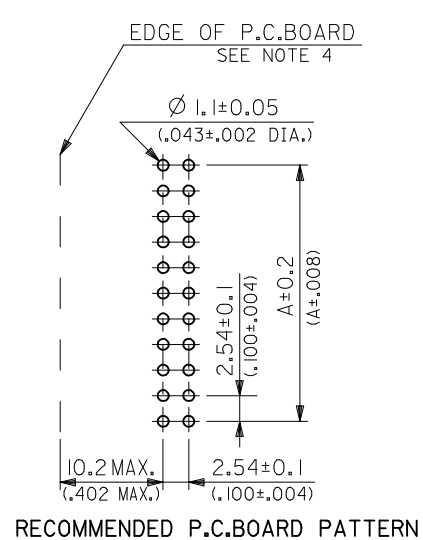
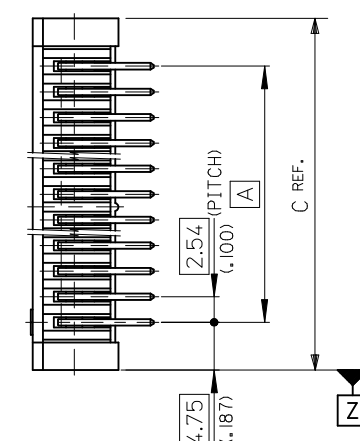
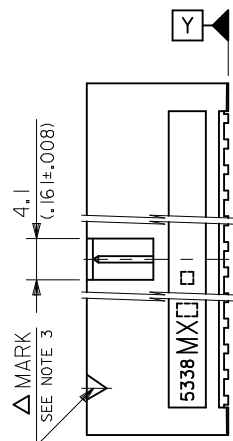
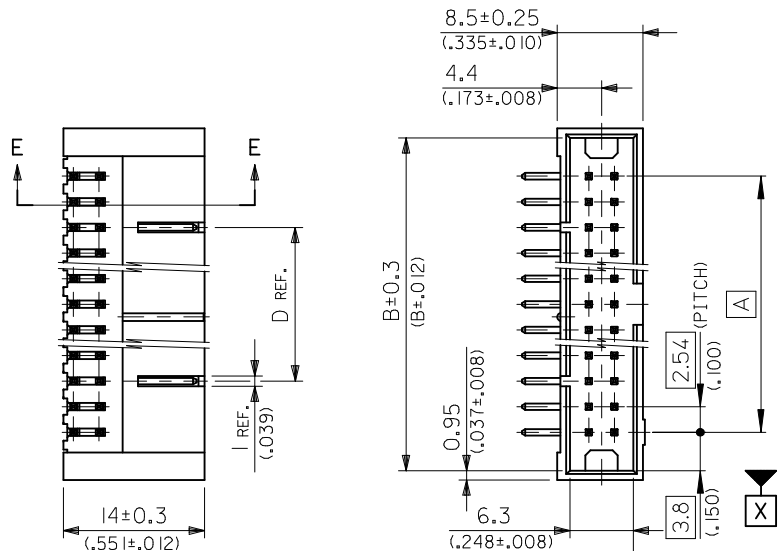
A

A

		60
		50
		40
39-28-5344	5342-34T2	34
▲ -5304	▲ -30T2	30
-5264	-26T2	26
-5204	-20T2	20
-5164	-16T2	16
▼ -5144	▼ -14T2	14
39-28-5104	5342-10T2	10
EDP NO.	ENG. NO.	極数
5342-NT2	-LEAD FREE-	

39-53-7604	5342-60GS17F	39-26-7608	5342-60GS1	60
▲ -7504	▲ -50GS17F	▲ -7508	▲ -50GS1	50
-7404	-40GS17F	-7408	-40GS1	40
-7344	-34GS17F	-7348	-34GS1	34
-7304	-30GS17F	-7308	-30GS1	30
-7264	-26GS17F	-7268	-26GS1	26
-7204	-20GS17F	-7208	-20GS1	20
-7164	-16GS17F	-7168	-16GS1	16
▼ -7144	▼ -14GS17F	▼ -7148	▼ -14GS1	14
39-53-7104	5342-10GS17F	39-26-7108	5342-10GS1	10
EDP NO.	ENG. NO.	EDP NO.	ENG. NO.	極数
5342-NGS17F	-LEAD FREE-	5342-NGS1		

REVISED EC NO: J2006-0712 DRWN: YANAGI MOTO 2005/10/03 CHKD: TANAKA 2005/10/06 APPR: NUKITA 2005/10/14	GENERAL TOLERANCES (UNLESS SPECIFIED)		DIMENSION STYLE MM ONLY		SCALE 2:1	DESIGN UNITS METRIC	THIRD ANGLE PROJECTION		
	10 UNDER	± 0.2	DRAWN BY H. HIRAMOTO		DATE 1990-09-19	TITLE QIK FLECS WAFER ASSY RA			
	10 OVER 30 UNDER	± 0.25	CHECKED BY M. SASAO		DATE	 MOLEX INCORPORATED			
	30 OVER	± 0.3	APPROVED BY H. IKESUGI		DATE				
	ANGULAR	± 3 °	MATERIAL NO.		DOCUMENT NO.	SHEET NO.			
DRAFT WHERE APPLICABLE MUST REMAIN WITHIN DIMENSIONS		SEE CHART		SD-5342-001		2 OF 2			



NOTES

- MATERIAL WAFER : G.F. 15% PBT (UL94V-0), COLOR---BLACK
PINS : BRASS, SIZE--- □0.635(.025 SQ.)
- MATES WITH MOLEX CONNECTOR SERIES OF 5320.
- LEGEND
5342 - N *
BASE NUMBER _____
CIRCUIT SIZE _____
PLATING CODE OF PIN _____

	CODE:*	△ MARK COLOR	CONTACT AREA	SOLDER AREA	UNDER PLATE
LEAD-FREE	GS17F	YELLOW	GOLD 0.1 μm(.000004) MIN.	TIN 1 μm(.00004) MIN.	NICKEL 1 μm(.00004) MIN.
LEAD-FREE	T2	BLACK	TIN 1 μm(.00004) MIN.		NICKEL 0.5 μm(.00002) MIN.

4. 10.2(.402) MAX. TO EDGE OF P.C. BOARD FOR DAISY CHAIN APPLICATION.

SECT. E-E (SCALE 3:1)

60	73.66 (2.900)	81.26 (3.200)	83.16 (3.274)	63.50 (2.500)
50	60.96 (2.400)	68.56 (2.700)	70.46 (2.774)	50.80 (2.000)
40	48.26 (1.900)	55.86 (2.200)	57.76 (2.274)	38.10 (1.500)
36	43.18 (1.700)	50.78 (2.000)	52.68 (2.074)	33.02 (1.300)
34	40.64 (1.600)	48.24 (1.900)	50.14 (1.974)	30.48 (1.200)
30	35.56 (1.400)	43.16 (1.700)	45.06 (1.774)	25.40 (1.000)
26	30.48 (1.200)	38.08 (1.500)	39.98 (1.574)	— # —
20	22.86 (.900)	30.46 (1.200)	32.36 (1.274)	— # —
16	17.78 (.700)	25.38 (1.000)	27.28 (1.074)	— # —
14	15.24 (.600)	22.84 (.900)	24.74 (.974)	— # —
10	10.16 (.400)	17.76 (.700)	19.66 (.774)	— # —
NO. OF CKTS.	DIM. A	DIM. B	DIM. C	DIM. D

REVISED EC NO: J2009-2013 DRWN: MABEI 2009/03/12 CHKD: THARUYAMA 2009/03/13 APPR: NUKITA 2009/03/16 K REV	GENERAL TOLERANCES (UNLESS SPECIFIED) 10 UNDER ±0.2 10 OVER 30 UNDER ±0.25 30 OVER ±0.3 ANGULAR ±3 ° DRAFT WHERE APPLICABLE MUST REMAIN WITHIN DIMENSIONS		DIMENSION STYLE MM/IN DRAWN BY H. HIRAMOTO DATE 1989/08/21 CHECKED BY M. SASAO DATE APPROVED BY H. IKESUGI DATE MATERIAL NO. SEE SHEET 2		SCALE 2:1	DESIGN UNITS METRIC	THIRD ANGLE PROJECTION
	TITLE QIK FLECS WAFER ASSY RA						
	MOLEX INCORPORATED					DOCUMENT NO. SD-5342-002	SHEET NO. 1 OF 2
	THIS DRAWING CONTAINS INFORMATION THAT IS PROPRIETARY TO MOLEX INCORPORATED AND SHOULD NOT BE USED WITHOUT WRITTEN PERMISSION						

10 9 8 7 6 5 4 3 2 1

F

F

E

E

D

D

C

C


B

B

A

A

—#—	—#—	39-53-7504	5342-50GS17F	50
—#—	—#—	↑ -7404	↑ -40GS17F	40
—#—	—#—	—#—	—#—	36
39-28-5344	5342-34T2	—#—	—#—	34
↑ -5304	↑ -30T2	-7304	-30GS17F	30
-5264	-26T2	-7264	-26GS17F	26
-5204	-20T2	-7204	-20GS17F	20
↓ -5164	↓ -16T2	-7164	-16GS17F	16
↓ -5144	↓ -14T2	↓ —#—	↓ —#—	14
39-28-5104	5342-10T2	39-53-7104	5342-10GS17F	10
EDP NO.	ENG. NO.	EDP NO.	ENG. NO.	NO. OF
5342-NT2		5342-NGS17F		CKTS.

REVISED EC NO: J2009-2013 DRWN: MABEL 2009/03/12 CHKD: THARUYAMA 2009/03/13 APPR: NUKITA 2009/03/16	GENERAL TOLERANCES (UNLESS SPECIFIED)		DIMENSION STYLE MM/IN		SCALE 2:1	DESIGN UNITS METRIC		THIRD ANGLE PROJECTION	
	10 UNDER	± 0.2	DRAWN BY H. HIRAMOTO		DATE 1989/08/21		TITLE QIK FLECS WAFER ASSY RA		
	10 OVER 30 UNDER	± 0.25	CHECKED BY M. SASAO		DATE		 MOLEX INCORPORATED		
	30 OVER	± 0.3	APPROVED BY H. IKESUGI		DATE				
ANGULAR ± 3 °		MATERIAL NO.		DOCUMENT NO.		SHEET NO.			
DRAFT WHERE APPLICABLE MUST REMAIN WITHIN DIMENSIONS		SEE TABLE		SD-5342-002		2 OF 2			
SIZE A3		THIS DRAWING CONTAINS INFORMATION THAT IS PROPRIETARY TO MOLEX INCORPORATED AND SHOULD NOT BE USED WITHOUT WRITTEN PERMISSION							