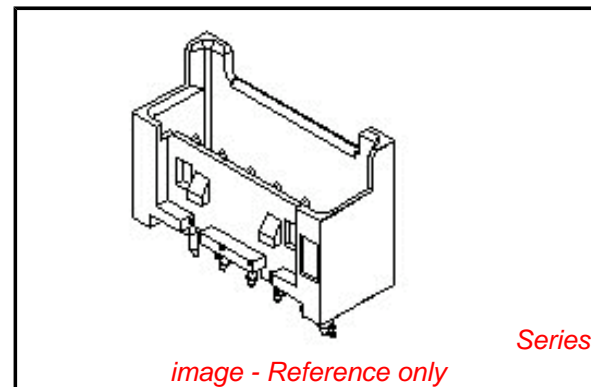


**PLEASE CHECK WWW.MOLEX.COM FOR LATEST PART INFORMATION**

**Part Number:** [0533750710](#)  
**Status:** **Active**  
**Overview:** [minilock](#)  
**Description:** 2.50mm (.098") Pitch Mini-Lock™ Wire-to-Board Header, Vertical, Friction and Positive Lock, 7 Circuits, Lead-free

**Documents:**

<a href="#">3D Model</a>	<a href="#">Product Specification PS-51163-001 (PDF)</a>
<a href="#">Drawing (PDF)</a>	<a href="#">Product Specification PS-51163-002 (PDF)</a>
<a href="#">Product Specification PS-51103-005 (PDF)</a>	<a href="#">RoHS Certificate of Compliance (PDF)</a>
<a href="#">Product Specification PS-51103-007 (PDF)</a>	



**Agency Certification**

CSA	LR19980
TUV	R72081037
UL	E29179

**General**

Product Family	PCB Headers
Series	<a href="#">53375</a>
Application	Wire-to-Board
MolexKits	Yes
Overview	<a href="#">minilock</a>
Product Name	Mini-Lock™

**Physical**

Breakaway	No
Circuits (Loaded)	7
Circuits (maximum)	7
Color - Resin	Natural
Durability (mating cycles max)	30
First Mate / Last Break	No
Flammability	94V-0
Glow-Wire Compliant	No
Guide to Mating Part	No
Keying to Mating Part	None
Lock to Mating Part	Yes
Material - Plating Mating	Tin
Material - Plating Termination	Tin
Material - Resin	Polyester
Number of Rows	1
Orientation	Vertical
PC Tail Length (in)	0.134 In
PC Tail Length (mm)	3.40 mm
PCB Locator	Yes
PCB Retention	Yes
PCB Thickness Recommended (in)	0.062 In
PCB Thickness Recommended (mm)	1.60 mm
Packaging Type	Bag
Pitch - Mating Interface (in)	0.098 In
Pitch - Mating Interface (mm)	2.50 mm
Polarized to PCB	Yes
Shrouded	Fully
Stackable	No
Surface Mount Compatible (SMC)	No
Temperature Range - Operating	-40°C to +105°C

**EU RoHS**

**ELV and RoHS Compliant**  
**REACH SVHC Contains SVHC: No**  
**Halogen-Free Status**

**China RoHS**



**Not Halogen-Free**

**Need more information on product environmental compliance?**

Email [productcompliance@molex.com](mailto:productcompliance@molex.com)  
 For a multiple part number RoHS Certificate of Compliance, [click here](#)

Please visit the [Contact Us](#) section for any non-product compliance questions.

**Search Parts in this Series**

[53375Series](#)

**Mates With**

Mini-Lock™ Wire-to-Board and Wire-to-Wire Crimp Terminal 51103 , 51102 , 51163

Termination Interface: Style

Through Hole

**Electrical**

Current - Maximum per Contact

3A

Voltage - Maximum

250V

**Material Info**

**Reference - Drawing Numbers**

Packaging Specification

SPK-53375-001

Product Specification

PS-51103-005, PS-51103-007, PS-51163-001,  
PS-51163-002, RPS-51103-009, RPS-51103-010,  
RPS-51103-011, RPS-51103-028, RPS-51103-030,  
RPS-51103-032, RPS-51103-041, RPS-51103-046,  
RPS-51103-047, RPS-51103-050, RPS-51103-056,  
RPS-51163-002

Sales Drawing

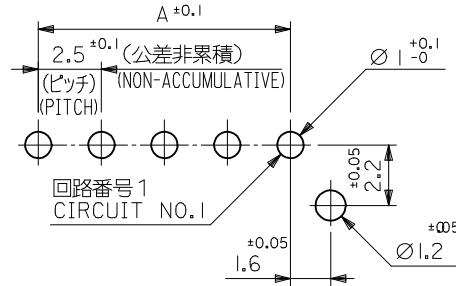
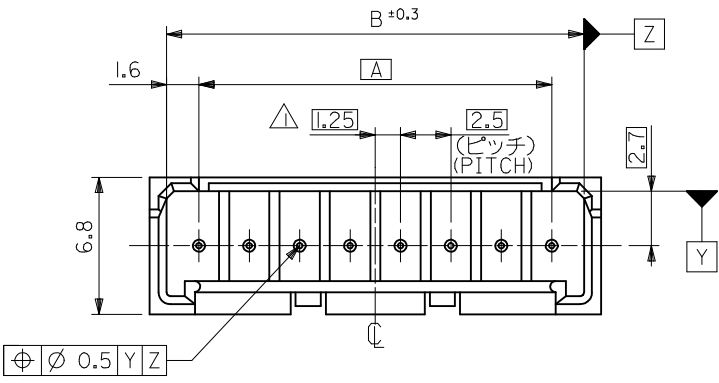
SD-53375-001

This document was generated on 06/07/2010

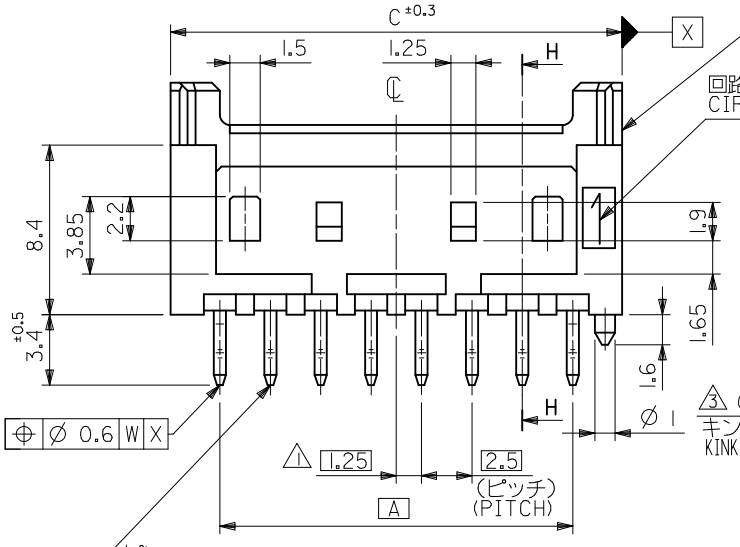
**PLEASE CHECK [WWW.MOLEX.COM](http://WWW.MOLEX.COM) FOR LATEST PART INFORMATION**

注記  
NOTES

- △ 偶数極品に適用。  
APPLIES ONLY TO EVEN NO. CKT. SIZES.
- 2. 嵌合相手：51103 シリーズ  
MATES WITH : 51103 SERIES.
- △ 3極以上のキンク形状は両サイドが(A)、その他の極はすべて(B)形状とする。  
KINK FORM  
MORE THAN 2 CIRCUIT:  
PINS AT BOTH ENDS ARE KINK FORMED TO (A),  
THE OTHER PINS ARE KINK FORMED TO (B).
- 4. 製品番号の下1桁は色を表します。  
LAST DIGIT OF PART NUMBER INDICATES COLOR.  
0: 白 WHITE    1: 黒 BLACK    2: 赤 RED  
3: 黄 YELLOW    4: 青 BLUE
- 5. 材料 ウェハー: PBTP(15%G.F.), UL94V-0  
WEFER  
ピン: リン青銅 錫メッキ 1.0μm以上  
下地銅メッキ 0.5μm以上  
PIN: PHOSPHOR BRONZE,  
TIN 1.0 micrometer MINMUM  
OVER COPPER 0.5 micrometer MINIMUM  
PLATING.

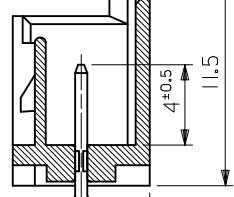


基板取付穴推奨寸法 (マウント面)  
RECOMMENDED P.C.BOARD HOLE DIMENSION  
(MOUNTING SIDE)  
( $t=1.6$ ) (SCALE 5 : 1)



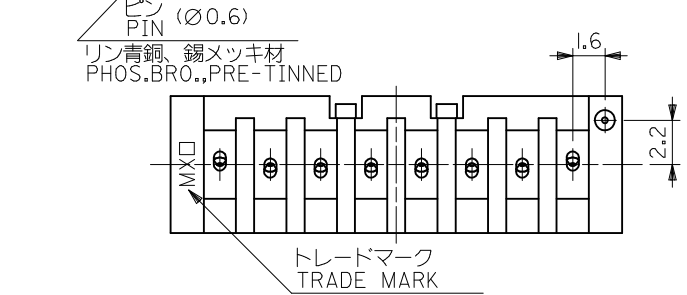
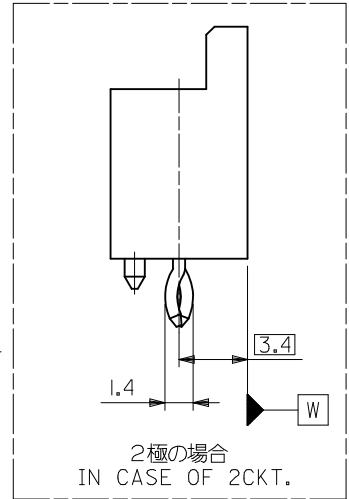
ウェハー  
WAFER  
PBTP(15%G.F.),UL94V-0

回路番号1  
CIRCUIT NO.1



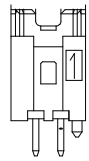
△(A) キンク形状 KINK FORM  
△(B) キンク形状 KINK FORM

断面 H-H  
SECT. H-H

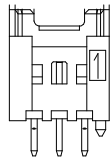


39.9	38.2	35	53375-15	15
37.4	35.7	32.5	-14	14
34.9	33.2	30	-13	13
32.4	30.7	27.5	-12	12
29.9	28.2	25	-11	11
27.4	25.7	22.5	-10	10
24.9	23.2	20	-09	9
22.4	20.7	17.5	-08	8
19.9	18.2	15	-07	7
17.4	15.7	12.5	-06	6
14.9	13.2	10	-05	5
12.4	10.7	7.5	-04	4
9.9	8.2	5	-03	3
7.4	5.7	2.5	53375-02	2
C	B	A	TRAY PACKAGE ORDER NO. MODEL NO. 53375-xx1*	極数 NO. OF CKTS.

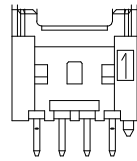
REVISED EC NO: J2010-0365 DRWN: YG010 2009/09/02 CHKD: KASAKAWA 2009/09/03 APPR: NUKITA 2009/09/03	GENERAL TOLERANCES (UNLESS SPECIFIED)		DIMENSION STYLE <b>MM ONLY</b>		SCALE 4:1	DESIGN UNITS METRIC	TITLE <b>2.5 W/B CONN WAFER ASSY WITH KINK -LEAD FREE-</b>  MOLEX INCORPORATED DOCUMENT NO. SD-53375-001 SHEET NO. 1 OF 2
	10 UNDER	± 0.2	DRAWN BY	DATE	THIRD ANGLE PROJECTION		
	10 OVER 30 UNDER	± 0.25	CHECKED BY	DATE			
	30 OVER	± 0.3	APPROVED BY	DATE			
REV	DESCRIPTION	ANGULAR	± 3 °	MATERIAL NO. SEE TABLE			
		DRAFT WHERE APPLICABLE MUST REMAIN WITHIN DIMENSIONS		SIZE A3		THIS DRAWING CONTAINS INFORMATION THAT IS PROPRIETARY TO MOLEX INCORPORATED AND SHOULD NOT BE USED WITHOUT WRITTEN PERMISSION	



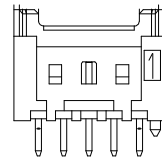
2極  
2 CKT.



3極  
3 CKT.



4極  
4 CKT.



5極  
5 CKT.

ロック形状図  
LOCK CONFIGURATION

53375-1514	53375-1513	53375-1510	15
		53375-1410	14
		53375-1310	13
53375-1214	53375-1213	53375-1210	12
		53375-1110	11
		53375-1010	10
		53375-0910	9
53375-0814		53375-0812	8
		53375-0712	7
53375-0614	53375-0613	53375-0612	6
		53375-0512	5
		53375-0410	4
		53375-0310	3
53375-0214	53375-0213	53375-0212	2
53375-**-14 COLOR : BLUE	53375-**-13 COLOR : YELLOW	53375-**-12 COLOR : RED	53375**-10 COLOR : WHITE
TRAY PACKAGE ORDER No.			

CKT.

REVISED EC NO: J2010-0365 DRWN: YGOTO CHKD: KASAKAWA APPR: NUKITA	2009/09/02 2009/09/03 2009/09/03		GENERAL TOLERANCES (UNLESS SPECIFIED)		DIMENSION STYLE MM ONLY		SCALE 4:1	DESIGN UNITS METRIC	THIRD ANGLE PROJECTION	
	10 UNDER ±0.2		10 OVER 30 UNDER ±0.25		DRAWN BY DATE K. TOJO 1992/05/06		TITLE 2.5 W/B CONN WAFER ASSY WITH KINK -LEAD FREE-			
	30 OVER ±0.3		ANGULAR ±3 °		CHECKED BY DATE H. HIRAMOTO 1994/03/08		MOLEX INCORPORATED			
	DRAFT WHERE APPLICABLE MUST REMAIN WITHIN DIMENSIONS		APPROVED BY DATE M. FUKUSUMA 1994/03/08		MATERIAL NO. SEE TABLE		DOCUMENT NO. SD-53375-001		SHEET NO. 2 OF 2	