

μ PD77015,77017,77018

16 bits, Fixed-point Digital Signal Processor

μ PD77015, 77017, 77018 are 16 bits fixed-point DSPs (Digital Signal Processors) developed for digital signal processing with its demand for high speed and precision.

FEATURES

• FUNCTIONS

- Instruction cycle: 30 ns (MIN.)
 - Operation clock: 33 MHz
 - External clock: 33, 16.5, 8.25, 4.125 MHz
 - Crystal: 33 MHz
- On-chip PLL to provide higher operation clock than the external clock
- Dual load/store
- Hardware loop function
- Conditional execution
- Executes product-sum operation in one instruction cycle

• PROGRAMMING

- 16 bits \times 16 bits + 40 bits \rightarrow 40 bits multiply accumulator
- 8 general registers (40 bits each)
- 8 ROM/RAM data pointer: each data memory area has 4 registers
- 10 source interrupts (external: 4, internal: 6)
- 3 operand instructions (example: $R0 = R0 + R1L * R2L$)
- Nonpipeline on execution stage

• MEMORY AREAS

- Instruction memory area : 64K words \times 32 bits
- Data memory areas : 64K words \times 16 bits \times 2 (X memory, Y memory)

• CLOCK GENERATOR

- Mask option for CLKOUT pin:
 - Fixed to the low level.
 - Does not output the internal system clock.
- Selectable source clock: external clock input and crystal resonator
 - [External clock]
 - On-chip PLL to provide higher operation clock (33 MHz MAX.) than the external clock.
 - Variable multiple rates (1, 2, 4, 8) by mask option.
 - [Crystal resonator]
 - Oscillation frequency corresponds directly to the system clock frequency (Sure to specify the mask option frequency multiple as "1").

In this document, all descriptions of the μ PD77017 also apply to the μ PD77015 and μ PD77018, unless otherwise specified.

The information in this document is subject to change without notice.

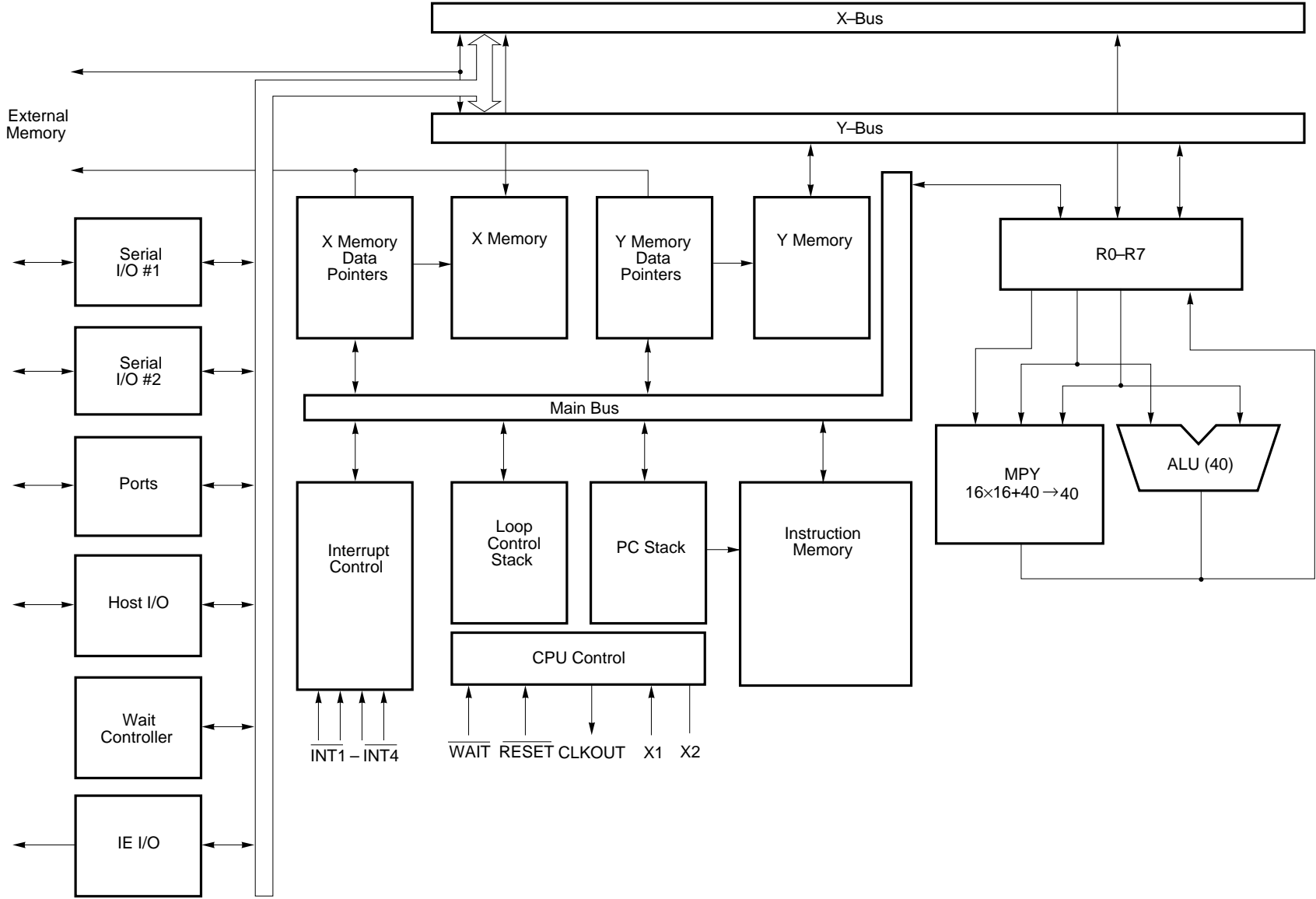
- ON-CHIP PERIPHERAL
 - I/O port: 4 bits
 - Serial I/O (16 bits): 2 channels
 - Host I/O (8 bits): 1 channel
- CMOS
- +3 V single power supply

ORDERING INFORMATION

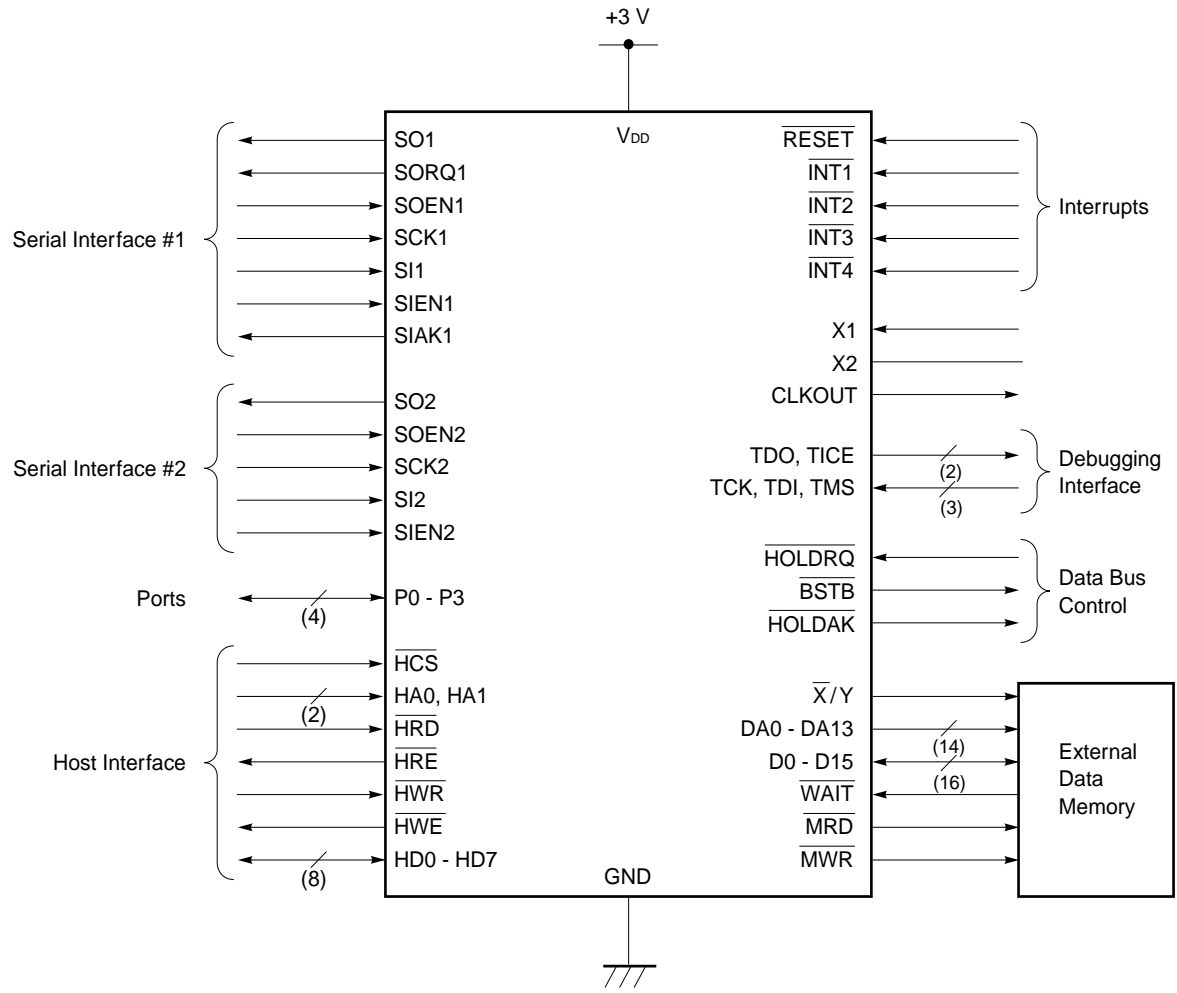
Part Number	Package
μPD77015GC-xxx-9EU	100-pin plastic TQFP (FINE PITCH) (14 × 14 mm)
μPD77017GC-xxx-9EU	100-pin plastic TQFP (FINE PITCH) (14 × 14 mm)
μPD77018GC-xxx-9EU	100-pin plastic TQFP (FINE PITCH) (14 × 14 mm)

Remark xxx indicates a code suffix.

BLOCK DIAGRAM



FUNCTIONAL PIN GROUPS

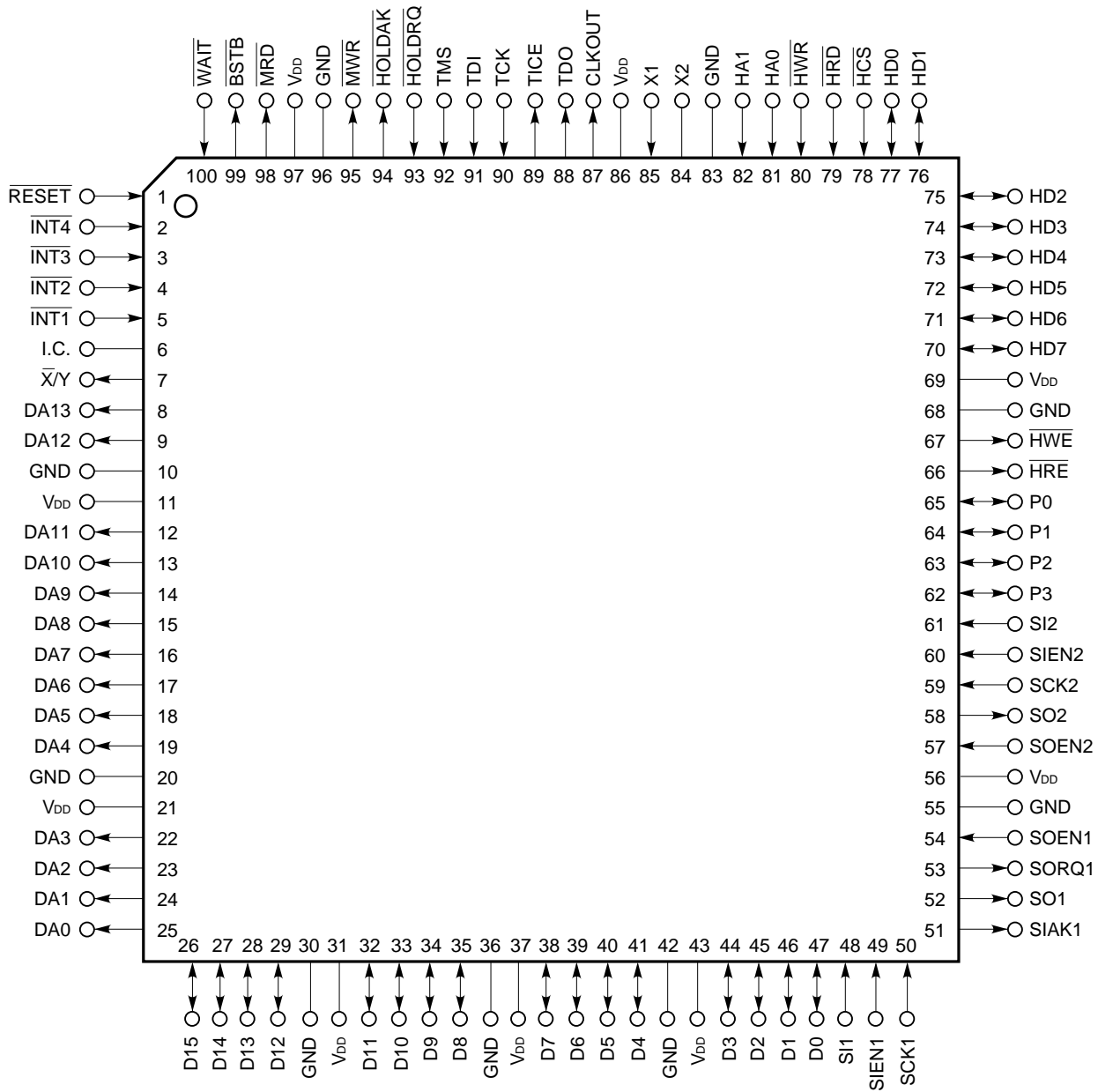


★ Functional Differences among the μPD7701× Family

Item	μPD77016	μPD77015	μPD77017	μPD77018	μPD77018A	μPD77019
Internal instruction RAM	1.5K words	256 words				4K words
Internal instruction ROM	None	4K words	12K words	24K words		
External instruction memory	48K words	None				
Data RAM (X/Y memory)	2K words each	1K words each	2K words each	3K words each		
Data ROM (X/Y memory)	None	2K words each	4K words each	12K words each		
External data memory	48K words each	16K words each				
Instruction cycle (Maximum operation speed)	30 ns (33 MHz)				19 ns (52 MHz)	
External clock (at maximum operation speed)	66 MHz	33/16.5/8.25/4.125 MHz Variable multiple rate (1, 2, 4, 8) by mask option.			52/ 26/ 17.333/ 13/6.5 MHz Variable multiple rate (1, 2, 3, 4, 8) by mask option.	
Crystal (at maximum operation speed)	–	33 MHz			52 MHz	
Instruction	–	STOP instruction is added.				
Serial interface (2 Channels)	Channel 1 has the same functions as channel 2.	Channel 1 has the same functions as that of the μPD77016. Channel 2 has no SORQ2 or SIAK2 pin (Channel 2 is used for CODEC connection).				
Power supply	5V	3 V				
Package	160-pin plastic QFP	100-pin plastic TQFP				

PIN CONFIGURATION

100-pin plastic TQFP (FINE PITCH) (14 × 14 mm) (Top View)



PIN IDENTIFICATION

$\overline{\text{BSTB}}$:	Bus Strobe
CLKOUT:	Clock Output
D0-D15:	16 Bits Data Bus
DA0-DA13:	External Data Memory Address Bus
GND:	Ground
HA0,HA1:	Host Data Access
$\overline{\text{HCS}}$:	Host Chip Select
HD0-HD7:	Host Data Bus
$\overline{\text{HOLDAK}}$:	Hold Acknowledge
$\overline{\text{HOLDRQ}}$:	Hold Request
$\overline{\text{HRD}}$:	Host Read
$\overline{\text{HRE}}$:	Host Read Enable
$\overline{\text{HWE}}$:	Host Write Enable
$\overline{\text{HWR}}$:	Host Write
I.C.:	Internally connection
$\overline{\text{INT1-INT4}}$:	Interrupt
$\overline{\text{MRD}}$:	Memory Read Output
$\overline{\text{MWR}}$:	Memory Write Output
P0-P3:	Port
$\overline{\text{RESET}}$:	Reset
SCK1,SCK2:	Serial Clock Input
SI1,SI2:	Serial Data Input
SIK1:	Serial Input Acknowledge
SIEN1,SIEN2:	Serial Input Enable
SO1,SO2:	Serial Data Output
SOEN1,SOEN2:	Serial Output Enable
SORQ1:	Serial Output Request
TCK:	Test Clock Input
TDI:	Test Data Input
TDO:	Test Data Output
TICE:	Test In-Circuit Emulator
TMS:	Test Mode Select
V _{DD} :	Power Supply
$\overline{\text{WAIT}}$:	Wait Input
X1:	Clock input/crystal connection
X2:	Crystal connection
$\overline{\text{X/Y}}$:	X/Y Memory Select

PIN NAME

Pin No.	Symbol	Pin No.	Symbol	Pin No.	Symbol	Pin No.	Symbol
1	RESET	26	D15	51	SIK1	76	HD1
2	INT4	27	D14	52	SO1	77	HD0
3	INT3	28	D13	53	SORQ1	78	HCS
4	INT2	29	D12	54	SOEN1	79	HRD
5	INT1	30	GND	55	GND	80	HWR
6	I.C. <i>Note</i>	31	V _{DD}	56	V _{DD}	81	HA0
7	X/Y	32	D11	57	SOEN2	82	HA1
8	DA13	33	D10	58	SO2	83	GND
9	DA12	34	D9	59	SCK2	84	X2
10	GND	35	D8	60	SIEN2	85	X1
11	V _{DD}	36	GND	61	SI2	86	V _{DD}
12	DA11	37	V _{DD}	62	P3	87	CLKOUT
13	DA10	38	D7	63	P2	88	TDO
14	DA9	39	D6	64	P1	89	TICE
15	DA8	40	D5	65	P0	90	TCK
16	DA7	41	D4	66	HRE	91	TDI
17	DA6	42	GND	67	HWE	92	TMS
18	DA5	43	V _{DD}	68	GND	93	HOLDRQ
19	DA4	44	D3	69	V _{DD}	94	HOLDAK
20	GND	45	D2	70	HD7	95	MWR
21	V _{DD}	46	D1	71	HD6	96	GND
22	DA3	47	D0	72	HD5	97	V _{DD}
23	DA2	48	SI1	73	HD4	98	MRD
24	DA1	49	SIEN1	74	HD3	99	BSTB
25	DA0	50	SCK1	75	HD2	100	WAIT

Note I.C. (Internally Connected): Leave this pin open.

CONTENTS

1. PIN FUNCTIONS	10
1.1 Pin Functions	10
1.2 Recommended Connection for Unused Pins	15
2. FUNCTIONS	16
2.1 Pipeline Processing	16
2.1.1 Outline	16
2.1.2 Instructions with Delay	16
2.2 Program Control Unit	17
2.3 Operation Unit	17
2.3.1 General register (R0 to R7)	17
2.3.2 MAC: Multiply ACcumulator	18
2.3.3 ALU: Arithmetic Logic Unit	18
2.3.4 BSFT: Barrel ShiFTer	18
2.3.5 SAC: Shifter And Count Circuit	18
2.3.6 CJC: Condition Judge Circuit	19
2.4 Memory	19
2.4.1 Instruction RAM Outline	20
2.4.2 Data Memory Outline	21
2.4.3 Data Memory Addressing	22
2.5 On-chip Peripheral Circuit	22
2.5.1 Serial Interface Outline	22
2.5.2 Host Interface Outline	22
2.5.3 General Input/output Ports Outline	22
2.5.4 Wait Cycle Register	22
3. INSTRUCTIONS	23
3.1 Outline	23
3.2 Instruction Set and Operation	24
4. ELECTRICAL SPECIFICATIONS	32
5. PACKAGE DRAWING	53
6. RECOMMENDED SOLDERING CONDITIONS	54

1. PIN FUNCTIONS

1.1 Pin Functions

• Power supply

Symbol	Pin No.	I/O	Function
V _{DD}	11, 21, 31, 37, 43, 56, 69, 86, 97	–	+3V power supply
GND	10, 20, 30, 36, 42, 55, 68, 83, 96	–	Ground

• System control

Symbol	Pin No.	I/O	Function
X1	85	I	Clock input / crystal connection pin • The clock signal is connected to X1, when using external clock for system clock.
X2	84	–	Crystal connection pin • X2 should be left open when using external clock for system clock.
CLKOUT	87	O	Internal system clock output
$\overline{\text{RESET}}$	1	I	Internal system reset signal input

• Interrupt

Symbol	Pin No.	I/O	Function
$\overline{\text{INT4}} - \overline{\text{INT1}}$	2 - 5	I	Maskable external interrupt input • Falling edge detection

• External data memory interface

Symbol	Pin No.	I/O	Function
$\overline{X/Y}$	7	O (3S)	Memory select signal output <ul style="list-style-type: none"> • 0: X memory is used. • 1: Y memory is used.
DA13 - DA0	8, 9, 12 -19, 22 - 25	O (3S)	Address bus to external data memory <ul style="list-style-type: none"> • External data memory is accessed. • During the external memory is not accessed, these pins keep the previous level. These pins are set to low level; 0000H, by reset. They continue outputting low level until the first external memory access.
D15 - D0	26 -29, 32 - 35, 38 - 41, 44 - 47	I/O (3S)	16 bits data bus to external data memory <ul style="list-style-type: none"> • External data memory is accessed.
\overline{MRD}	98	O (3S)	Read output <ul style="list-style-type: none"> • Reads external memory
\overline{MWR}	95	O (3S)	Write output <ul style="list-style-type: none"> • Writes external memory
\overline{WAIT}	100	I	Wait signal input <ul style="list-style-type: none"> • Wait cycle is input when external memory is read. 1: No wait 0: Wait
\overline{HOLDRQ}	93	I	Hold request signal input <ul style="list-style-type: none"> • Input low level when external data memory bus is expected to use.
\overline{BSTB}	99	O	Bus strobe signal output <ul style="list-style-type: none"> • Outputs low level while the μPD77017 is occupying external memory bus.
\overline{HOLDAK}	94	O	Hold acknowledge signal output <ul style="list-style-type: none"> • Outputs low level when the μPD77017 permits external device to use external data memory bus.

Remark The state of the pins added 3S becomes high impedance when bus release signal ($\overline{HOLDAK} = 0$) is output.

• Serial interface

Symbol	Pin No.	I/O	Function
SCK1	50	I	Clock input for serial 1
SORQ1	53	O	Serial output 1 request
SOEN1	54	I	Serial output 1 enable
SO1	52	O (3S)	Serial data output 1
SIEN1	49	I	Serial input 1 enable
SI1	48	I	Serial data input 1
SCK2	59	I	Clock input for serial 2
SOEN2	57	I	Serial output 2 enable
SO2	58	O (3S)	Serial data output 2
SIEN2	60	I	Serial input 2 enable
SI2	61	I	Serial data input 2
SIAK1	51	O	Serial input 1 acknowledge

Remark The state of the pins added 3S becomes high impedance, when data output have been finished or $\overline{\text{RESET}}$ is input.

• Host interface

Symbol	Pin No.	I/O	Function
HA1	82	I	Specifies register which HD7 to HD0 access 1: Accesses HST: Host interface status register when HA1 = 0 0: Accesses HDT(in): Host transmit data register when $\overline{HWR} = 0$ 0: Accesses HDT(out): Host receive data register when $\overline{HRD} = 0$
HA0	81	I	Specifies bits of registers which HD7 to HD0 access • 1: Accesses bits 15-8 of HST, HDT(in) or HDT(out) • 0: Accesses bits 7-0 of HST, HDT(in) or HDT(out)
\overline{HCS}	78	I	Chip select input
\overline{HRD}	79	I	Host read input
\overline{HWR}	80	I	Host write input
\overline{HRE}	66	O	Host read enable output
\overline{HWE}	67	O	Host write enable output
HD7 - HD0	70 - 77	I/O (3S)	8 bits host data bus

Remark The state of the pins added 3S becomes high impedance when the host does not access host interface.

• I/O port

Symbol	Pin No.	I/O	Function
P3 - P0	62 - 65	I/O	I/O port

• Debugging interface

Symbol	Pin No.	I/O	Function
TDO	88	O	For debugging
TICE	89	O	For debugging
TCK	90	I	For debugging
TDI	91	I	For debugging
TMS	92	I	For debugging

• Other

Symbol	Pin No.	I/O	Function
I.C.	6	—	Internal connected pin. Leave this pin open. Caution When any signal is applied to or read out from this pin, normal operation of the μPD77017 is not assured.

1.2 Recommended Connection for Unused Pins

Pin	I/O	Recommended connection
$\overline{\text{INT1}} - \overline{\text{INT4}}$	I	connect to V_{DD}
$\overline{\text{X}}/\overline{\text{Y}}$	O	open
DA0 - DA13	O	
D0 - D15 ^{Note1}	I/O	connect to V_{DD} or GND, via a resistor
$\overline{\text{MRD}}$	O	open
$\overline{\text{MWR}}$	O	
$\overline{\text{WAIT}}$	I	connect to V_{DD}
$\overline{\text{HOLDRQ}}$	I	
$\overline{\text{BSTB}}$	O	open
$\overline{\text{HOLDAK}}$	O	
SCK1, SCK2	I	connect to V_{DD} or GND
SI1, SI2	I	
SOEN1, SOEN2	I	connect to GND
SIEN1, SIEN2	I	
SORQ1	O	open
SO1, SO2	O	
SIK1	O	
HA0, HA1	I	connect to V_{DD} or GND
$\overline{\text{HCS}}$	I	connect to V_{DD}
$\overline{\text{HRD}}$	I	
$\overline{\text{HWR}}$	I	
$\overline{\text{HRE}}$	O	open
$\overline{\text{HWE}}$	O	
HD0 - HD7 ^{Note2}	I/O	connect to V_{DD} or GND, via a resistor
P0 - P3	I/O	
TCK	I	connect to GND, via a resistor
TDO, TICE	O	open
TMS, TDI	I	open(pull-up internally)
CLKOUT	O	open

Note 1. Can leave open, if no access to external data memory is executed in the whole of program.

2. Can leave open, if $\overline{\text{HCS}}$, $\overline{\text{HRD}}$, $\overline{\text{HWR}}$ are fixed to high level.

Remark I: Input pin
 O: Output pin
 I/O: Input/Output pin

2. FUNCTIONS

2.1 Pipeline Processing

This section describes the μPD77017 pipeline processing.

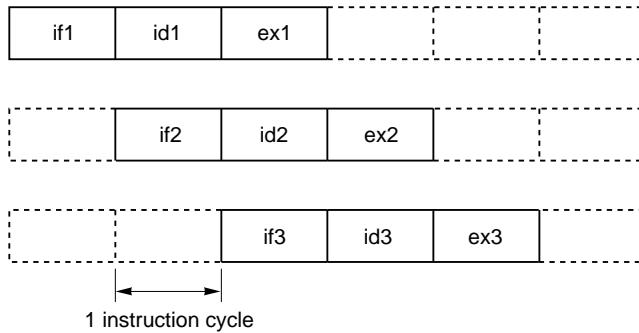
2.1.1 Outline

The μPD77017 basic operations are executed in following 3-stage pipeline.

- (1) instruction fetch; if
- (2) Instruction decoding; id
- (3) execution; ex

When the μPD77017 operates a result of a instruction just executed before, the data is input to ALU in parallel with written back to general registers. Pipeline processing actualizes programming without delay time to execute instructions and write back data. Three successive instructions and their processing timing are shown below.

Pipeline Processing Timing



2.1.2 Instructions with Delay

The following instructions have delay time in execution.

- (1) Instructions to control interrupt
2 instruction cycles have been taken between instruction fetch and execution.
- (2) Inter-register transfer instructions and immediate data set instructions
When data is set in data pointer, it needs 2 instruction cycles before the data is valid.

2.2 Program Control Unit

Program control unit controls not only count up of program counter in normal operation, but loop, repeat, branch, halt and interrupt.

In addition to loop stack of loop 4 level and program stack of 15 level, software stack can be used for multi-loop and multi-interrupt/subroutine call.

The μPD77017 has external 4 interruptions and internal 6 interruptions from peripheral, and specifies interrupt enable or disable independently.

The HALT and STOP instructions cause the μPD77017 to place in low power standby mode.

When the HALT instruction is executed, power consumption decreases. HALT mode is released by interrupt input or hardware reset input. It takes several system clock to recover.

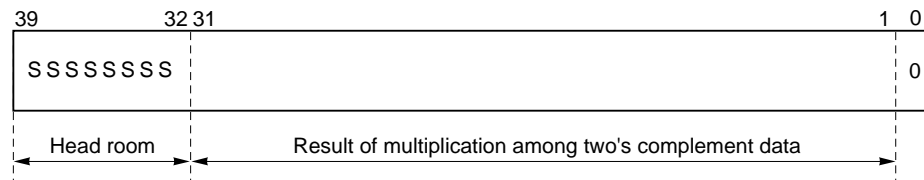
When the STOP instruction is executed, power consumption decreases. STOP mode is released by hardware reset input. It takes a few ms to recover.

2.3 Operation Unit

Operation unit consists of the following five parts.

- 40 bits general register × 8 for data load/store and input/output of operation data
- 16 bits × 16 bits + 40 bits → 40 bits multiply accumulator
- 40 bits Data ALU
- 40 bits barrel shifter
- SAC: shifter and count circuit.

Standard word length is 40 bits to make overflow check and adjustment easy, and to accumulate the result of 16 bits × 16 bits multiplication correctly.



2.3.1 General register (R0 to R7)

The μPD77017 has eight 40 bits registers for operation input/output and load/store with memory. General register consists of the following three parts.

- R0L to R7L (bit 15 to bit 0)
- R0H to R7H (bit 31 to bit 16)
- R0E to R7E (bit 39 to bit 32)

But each of RnL, RnH and RnE are treated as a register in the following conditions.

(1) General register used as 40 bits register

General registers are treated as 40 bits register, when they are used for the following aims.

- (a) Operand for triminal operation (except for multiplier input)
- (b) Operand for dyadic operation (except for multiplier and shift value)
- (c) Operand for monadic operation (except for exponent instructions)
- (d) Operand for operation
- (e) Operand for conditional judge
- (f) Destination for load instruction (with sign extension and 0 clear)

(2) General register used as 32 bits register

Bit 31 to bit 0 of general register are treated as 32 bits register, when it is used for a operand of exponent instruction.

(3) General register used as 24 bits register

Bit 39 to bit 16 of general register are treated as 24 bits register, when it is used for destination with extended sign for a load/store instruction.

(4) General register used as 16 bits register

Bit 31 to bit 16 of general register are treated as 16 bits register, when it is used for the following aims.

- (a) Signed operand for multiplier
- (b) Source/destination for load/store instruction

Bit 15 to bit 0 of general register are treated as 16 bits register, when it is used for the following aims.

- (c) Unsigned operand for multiplier
- (d) Shift value for shift instruction
- (e) Source/destination for load/store instruction
- (f) Source/destination for inter-register transfer instruction
- (g) Destination for immediate data set instruction
- (f) Hardware loop times

(5) General register used as 8 bits register

Bit 39 to bit 32 of general register are treated as 8 bits register, when it is used for source/destination of load/store instruction.

2.3.2 MAC: Multiply ACcumulator

MAC multiplies a pair of 16 bits data, and adds or subtract the result and 40 bits data. MAC outputs 40 bits data.

MAC operates three types of multiplication: signed data \times signed data, signed data \times unsigned data and unsigned data \times unsigned data.

Result of multiplication and 40 bits data for addition can be added after 1 or 16 bits arithmetic shift right.

2.3.3 ALU: Arithmetic Logic Unit

ALU performs arithmetic operation and logic operation. Both input/output data are 40 bits.

2.3.4 BSFT: Barrel ShiFTer

BSFT performs shift right/left operation. Both input/output data are 40 bits. There are two types of shift right operations; arithmetic shift right which sign is extended, and logic shift right which is input 0 in MSB first.

2.3.5 SAC: Shifter And Count Circuit

SAC calculates and outputs shift value for normalization. SAC is input 32 bits data and outputs the 40 bits data. Then, bit 39 to bit 5 of output data is always 0.

2.3.6 CJC: Condition Judge Circuit

CJC judges whether condition is true or false with 40 bits input data. A conditional instruction is executed when the result is true, and not executed when the result is false.

2.4 Memory

The μ PD77017 has one instruction memory area (64K words \times 32 bits) and two data memory areas (64K words \times 16 bits each). It adopts Harvard-type architecture, with instruction memory area and data memory areas separated.

The μ PD77017 has 2 sets of data addressing units, which are dedicated for addressing data memory area. Each addressing unit consists of four data pointers, four index registers, a modulo register and addressing ALU.

X memory area addresses are specified by DP0 to DP3, and Y memory area addresses are specified by DP4 to DP7. After memory access, DPn (with the same subscript), can be modified by DNn value. Modulo operation is performed with DMX for DP0 to DP3, with DMY for DP4 to DP7.

2.4.1 Instruction RAM Outline

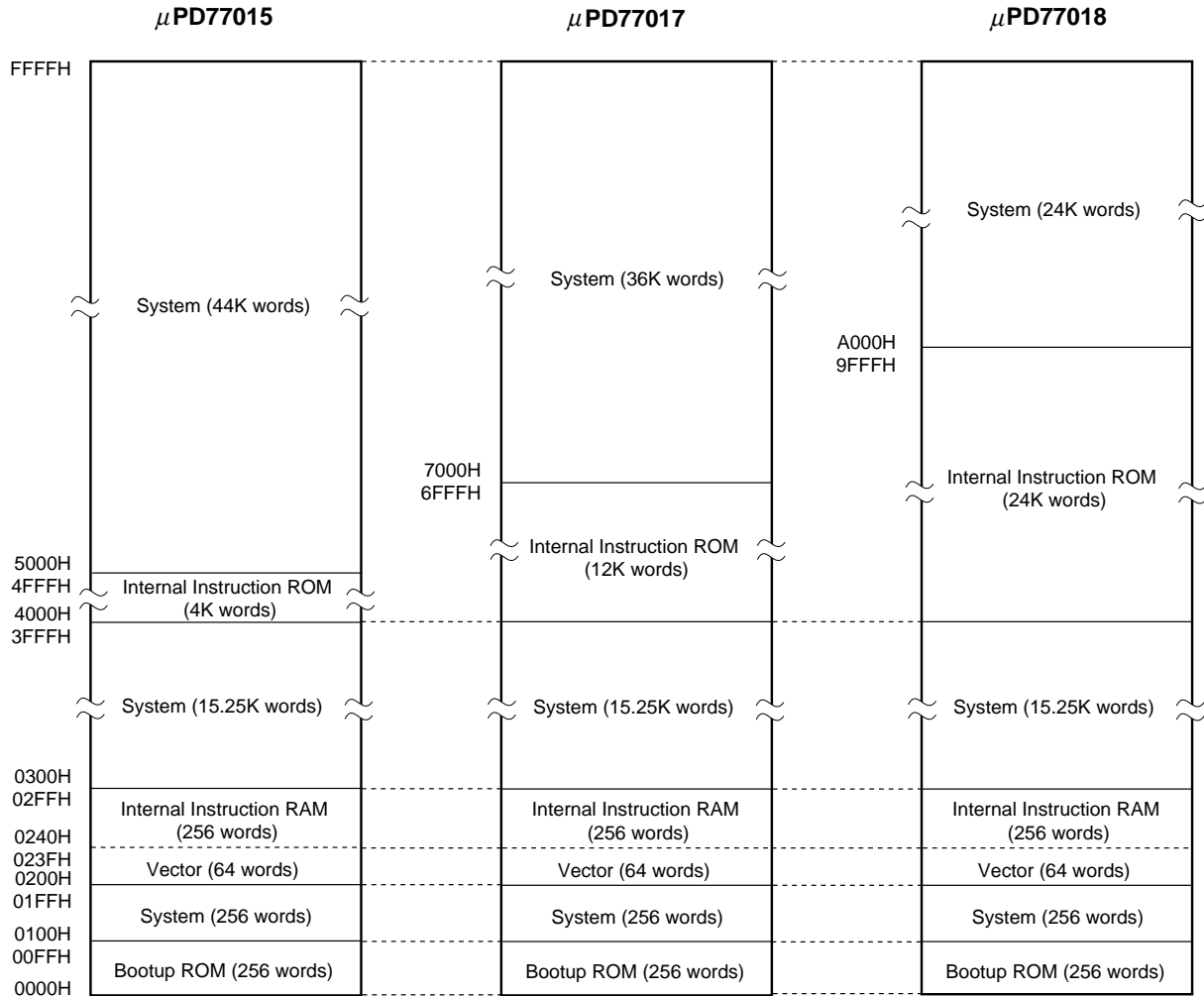
The μPD77015 has an instruction ROM (4K words × 32 bits) and instruction RAM(256 words × 32 bits).

The μPD77017 has an instruction ROM (12K words × 32 bits) and instruction RAM(256 words × 32 bits).

The μPD77018 has an instruction ROM (24K words × 32 bits) and instruction RAM(256 words × 32 bits).

A system vector area is assigned to 64 words of the instruction RAM. Internal instruction RAM is initialized and rewritten by boot program.

Boot up ROM contains the program loading instruction code to internal instruction RAM.



Caution When any data is accessed or stored to system address, normal operation of the device is not assured.

2.4.2 Data Memory Outline

The μPD77015 has two data memory areas (64K words × 16 bits each) in X and Y memory areas.

Each memory areas consists of 1K words × 16 bits data RAM and 2K words × 16 bits data ROM . As the μPD77017 has interface with the external data memory, 16 K words × 16 bits external data memory space can be add to X/Y memories.

The μPD77017 has two data memory areas (64K words × 16 bits each) in X and Y memory areas.

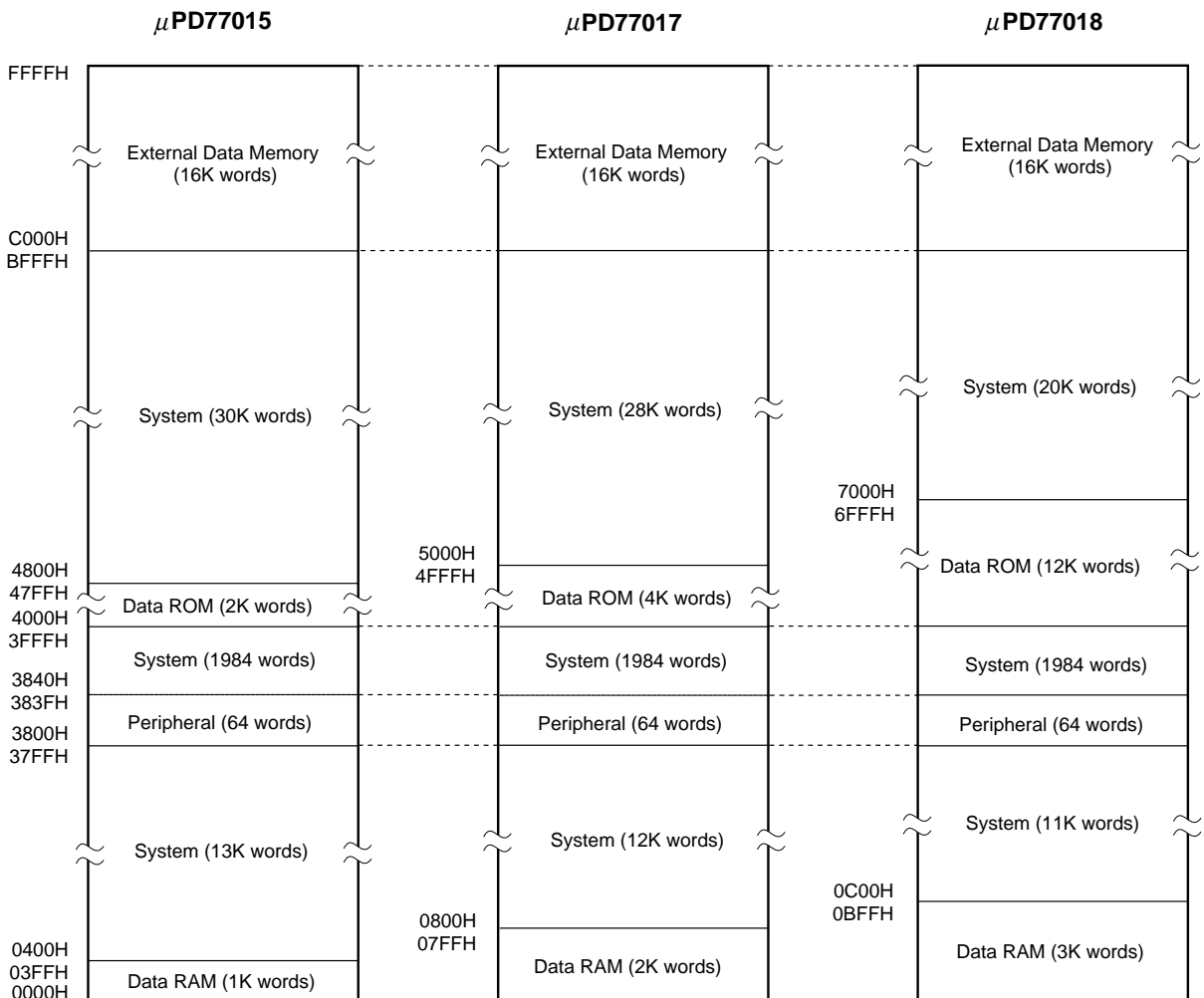
Each memory areas consists of 2K words × 16 bits data RAM and 4K words × 16 bits data ROM . As the μPD77017 has interface with the external data memory, 16 K words × 16 bits external data memory space can be add to X/Y memories.

The μPD77018 has two data memory areas (64K words × 16 bits each) in X and Y memory areas.

Each memory areas consists of 3K words × 16 bits data RAM and 12K words × 16 bits data ROM . As the μPD77018 has interface with the external data memory, 16 K words × 16 bits external data memory space can be add to X/Y memories.

Each data memory area includes on-chip peripheral area which consists of 64 words.

When the external data memory area is accessed, instruction cycle can be 2 or more by wait function.



Caution When any data is accessed or stored to system address, normal operation of the device is not assured.

2.4.3 Data Memory Addressing

There are following two types of data memory addressing.

- Direct addressing

The address is specified in the instruction field.

- Indirect addressing

The address is specified by the data pointer (DP). DP can get a bit reverse before addressing. It can update the DP value after accessing data memory.

2.5 On-chip Peripheral Circuit

The μPD77017 includes serial interface, host interface, general input/output ports and wait cycle registers. They are mapped in both X and Y memory areas, and are accessed as memory mapped I/O by the μPD77017 CPU.

2.5.1 Serial Interface Outline

The μPD77017 has 2 channel serial interfaces. Serial I/O clock must be provided from external. Frame length can be programmed independently to be 8 bits or 16 bits. MSB first or LSB first can also be selected. Data is input/output by hand shaking for an external device, and by interrupts, polling or wait function in internal.

2.5.2 Host Interface Outline

The μPD77017 has 8 bits parallel ports as host interface to input/output data to and from host CPU and DMA controller. When an external device accesses host interface, HA0 and HA1 pins; which are host address input pins; specifies bit 15 to bit 8 and bit 7 to bit 0. The μPD77017 includes 3 registers consisting of 16 bits, which are dedicated for input data, output data and status. The μPD77017 has three types of interface method for internal and external data; interrupts, polling and wait function.

2.5.3 General Input/output Ports Outline

General input/output ports consist of 4 bits. User can set each port as input or output. The μPD77017 includes two registers. One is 4 bits register for input/output data, and the other is 16 bits for control.

2.5.4 Wait Cycle Register

The wait cycle registers consist of 16 bits. It is used to set wait cycle number when external memory is accessed. When external data memory area (C000H - FFFFH) is accessed, 0, 1, 3, or 7 wait cycle can be set.

When external data memory area is accessed, wait cycle can be also set by $\overline{\text{WAIT}}$ pin.

3. INSTRUCTIONS

3.1 Outline

All μ PD77017 instructions are one-word instructions, consisting of 32 bits. And they are executed in 30 ns (min.) per instruction. There are following 9 instruction types.

(1) Trinomial instructions

: specify the Acc operation. 3 of general registers are specified optionally as the operation object.

(2) Dyadic operation instructions

: specify the Acc, ALU or shifter operation. 2 of general registers are specified optionally as the operation object. Some instructions can specify a general register and immediate data.

(3) Monadic operation instructions

: specify operations by ALU. 1 general register is specified optionally as the operation object.

(4) Load/store instructions

: transfer 16 bits data from memory to general registers, from general registers to memory and between general registers.

(5) Inter-register transfer instructions

: transfer data between general register and other registers.

(6) Immediate data set instructions

: set immediate data at general registers or each registers of address operation unit.

(7) Branch instructions

: specify the direction of the program flow.

(8) Hardware loop instructions

: specify times of instruction repeating.

(9) Control Instructions

: specify the control program.

3.2 Instruction Set and Operation

An operation is written according to the rules for expressing. An expression of instructions having two or more descriptions can have only one selected.

(a) Expressions and selectable registers

Expression and selectable registers are shown as follows.

Expression	Selectable registers
ro, ro', ro"	R0 - R7
rl, rl'	R0L - R7L
rh, rh'	R0H - R7H
re	R0E - R7E
reh	R0EH - R7EH
dp	DP0 - DP7
dn	DN0 - DN7
dm	DMX, DMY
dpx	DP0 - DP3
dpy	DP4 - DP7
dpx_mod	DPn, DPn++, DPn--, DPn##, DPn%%, !DPn## (n = 0 - 3)
dpy_mod	DPn, DPn++, DPn--, DPn##, DPn%%, !DPn## (n = 4 - 7)
dp_imm	DPn##imm (n = 0 - 7)
*xxx	content of memory address xxx Example When the content of DP0 register is 1000, *DP0 shows the content of memory address 1000.

(b) Modifying data pointers

Data pointers are modified after memory access. The results are valid immediately after instruction execution. It is impossible to modify without memory access.

Description	Operation
DPn	No operation: DPn value does not change.
DPn++	$DPn \leftarrow DPn+1$
DPn--	$DPn \leftarrow DPn-1$
DPn##	$DPn \leftarrow DPn + DNn$: Adds DN0-DN7 corresponding to DP0-DP7 Example $DP0 \leftarrow DP0 + DN0$
DPn%%	(n = 0 - 3) $DPn = ((DP_L + DNn) \bmod (DMX + 1)) + DP_H$
	(n = 4 - 7) $DPn = ((DP_L + DNn) \bmod (DMY + 1)) + DP_H$
!DPn##	Access memory after DPn value is bit-reversed After memory access, $DPn \leftarrow DPn + DNn$
DPn##imm	$DPn \leftarrow DPn + imm$

(c) Concurrent processing instructions

○ shows concurrent processing instruction.

Instruction names are shown in abbreviation.

- TRI : Trinomial
- DYAD : Dyadic
- MONAD : Monadic
- TRANS : Inter-register transfer
- IMM : Immediate data set
- BR : Branch
- LOOP : Hardware loop
- CTR : Control

(d) State of Overflow flag (OV)

The following marks show the μPD77017 overflow flag state.

- : Not affected
- ↑: 1 is set when the result of operation is overflow.

Caution If overflow does not occur after operation, OV is not reset, and keeps the state before operation.

μPD77017 INSTRUCTION SET

	Name	Mnemonic	Operation	Concurrent Writing Processing										Flag	
				TRI.	DYAD.	MONAD.	Load/ store	TRANS.	IMM.	BR.	LOOP.	CTL.	OV		
Trinomial	Multiply add	$ro = ro + rh * rh'$	$ro \leftarrow ro + rh * rh'$				○								↕
	Multiply sub	$ro = ro - rh * rh'$	$ro \leftarrow ro - rh * rh'$				○								↕
	Sign unsign Multiply add	$ro = ro + rh * rl$ (rl should be a plus integral number.)	$ro \leftarrow ro + rh * rl$				○								↕
	Unsign unsign Multiply add	$ro = ro + rl * rl'$ (rl and rl' should be a plus integral number.)	$ro \leftarrow ro + rl * rl'$				○								↕
	1 bit shift Multiply add	$ro = (ro \gg 1) + rh * rh'$	$ro \leftarrow \frac{ro}{2} + rh * rh'$				○								↕
	16 bits shift Multiply add	$ro = (ro \gg 16) + rh * rh'$	$ro \leftarrow \frac{ro}{2^{16}} + rh * rh'$				○								●
Dyadic	Multiply	$ro = rh * rh'$	$ro \leftarrow rh * rh'$				○								●
	Add	$ro' = ro + ro'$	$ro' \leftarrow ro + ro'$				○								↕
	Immediate add	$ro' = ro + imm$	$ro' \leftarrow ro + imm$ (imm≠1)												↕
	Sub	$ro' = ro - ro'$	$ro' \leftarrow ro - ro'$				○								↕
	Immediate sub	$ro' = ro - imm$	$ro' \leftarrow ro - imm$ (imm≠1)												↕
	Arithmetic right shift	$ro' = ro$ SRA rl	$ro' \leftarrow ro \gg rl$				○								●
	Immediate arithmetic right shift	$ro' = ro$ SRA imm	$ro' \leftarrow ro \gg imm$												●
	Logic right shift	$ro' = ro$ SRL rl	$ro' \leftarrow ro \gg rl$				○								●
	Immediate Logic right shift	$ro' = ro$ SRL imm	$ro' \leftarrow ro \gg imm$												●
	Logic left shift	$ro' = ro$ SLL rl	$ro' \leftarrow ro \ll rl$				○								●
	Immediate logic left shift	$ro' = ro$ SLL imm	$ro' \leftarrow ro \ll imm$												●

	Name	Mnemonic	Operation	Concurrent Writing Processing									Flag	
				TRI.	DYAD.	MONAD.	Load/ store	TRANS.	IMM.	BR.	LOOP.	CTL.	OV	
Dyadic	And	ro" = ro & ro'	ro" ← ro & ro'				○							●
	Immediate and	ro' = ro & imm	ro' ← ro & imm											●
	Or	ro" = ro ro'	ro" ← ro ro'				○							●
	Immediate or	ro' = ro imm	ro' ← ro imm											●
	Exclusive or	ro" = ro ^ ro'	ro" ← ro ^ ro'				○							●
	Immediate exclusive or	ro = ro ^ imm	ro ← ro ^ imm											●
	Less than	ro" = LT(ro, ro')	if(ro<ro') {ro" ← 000000001H} else {ro" ← 000000000H}				○							
Monadic	Clear	CLR(ro)	ro ← 0H				○						○	●
	Increment	ro' = ro + 1	ro' ← ro + 1				○						○	↑
	Decrement	ro' = ro - 1	ro' ← ro - 1				○						○	↓
	Absolute	ro' = ABS (ro)	if (ro<0) {ro' ← -ro} else {ro' ← ro}				○						○	↑
	One's complement	ro' = ~ro	ro' ← ~ro				○						○	●
	Two's complement	ro' = -ro	ro' ← -ro				○						○	↑
	Clip	ro' = CLIP (ro)	if (ro>007FFFFFFFH) {ro' ← 007FFFFFFFH} else if, (ro<FF80000000H) {ro' ← FF80000000H} else {ro' ← ro}				○						○	↑
	Round	ro' = ROUND (ro)	if (ro>007FFF0000H) {ro' ← 007FFF0000H} else if, (ro>FF80000000H) {ro' ← FF80000000H} else {ro' ← (ro + 8000H) & FFFFFFFF0000H}				○						○	↑
	Exponent	ro' = EXP (ro)	ro' ← log ₂ ($\frac{1}{ro}$)				○						○	●
Substitution	ro' = ro	ro' ← ro				○						○	●	

	Name	Mnemonic	Operation	Concurrent Writing Processing										Flag	
				TRI.	DYAD.	MONAD.	Load/ store	TRANS.	IMM.	BR.	LOOP.	CTL.	OV		
Monadic	Cumulation	ro' + = ro	ro' ← ro' + ro				○						○	↕	
	Degression	ro' - = ro	ro' ← ro' - ro				○						○	↕	
	Division	ro' / = ro	if (sign(ro')==sign(ro)) {ro' ← (ro'-ro)<<1} else {ro' ← (ro'+ro)< if (sign(ro')==0 {ro' ← ro'+1}				○						○	↕	
Load/store	Parallel load/store Note 1, Note 2	ro=*dpx_mod ro'=*dpy_mod	ro ← *dpx, ro' ← *dpy												
		ro=*dpx_mod *dpy_mod=rh	ro ← *dpx, *dpy ← rh	○	○	○								●	
		*dpx_mod=rh ro=*dpy_mod	*dpx ← rh, ro ← *dpy												
		*dpx_mod=rh *dpy_mod=rh'	*dpx ← rh, *dpy ← rh'												
	Section load/store Note 1, Note 2, Note 3	dest=*dpx_mod dest'=*dpy_mod	dest ← *dpx, dest' ← *dpy												
		dest=*dpx_mod *dpy_mod=source	dest ← *dpx, *dpy ← source												●
		*dpx_mod=source dest=*dpy_mod	*dpx ← source, dest ← *dpy												
		*dpx_mod=source *dpy_mod=source'	*dpx ← source, *dpy ← source'												

- Note 1.** One or both of a mnemonic pair can be written.
- 2.** After execution of load/store, data is modified by mod.
- 3.** One of following mnemonic should be selected: dest, dest' = {ro, reh, re, rh, rl}, source, source' = {re, rh, rl}.

	Name	Mnemonic	Operation	Concurrent Writing Processing										Flag			
				TRI.	DYAD.	MONAD.	Load/ store	TRANS.	IMM.	BR.	LOOP.	CTL.	OV				
Load/store	Direct addressing load/store Note 1	dest = *addr	dest ← *addr													●	
		*addr = source	*addr ← source														
	Immediate index load/store Note 2	dest = *dp_imm	dest ← *dp														●
		*dp_imm = source	*dp ← source														
Inter-register transfer	Inter-register transfer Note 3	dest = rl	dest ← rl												○	●	
		rl = source	rl ← source														
Immediate data set	Immediate data set	rl = imm (provided imm = 0-0xFFFF)	rl ← imm														
		dp = imm (provided imm = 0-0xFFFF)	dp ← imm														
		dn = imm (provided imm = 0-0xFFFF)	dn ← imm														
		dm = imm (provided imm = 1-0xFFFF)	dm ← imm														●

- Note 1.** One of following mnemonic should be selected: dest = {ro, reh, re, rh, rl}, source = {re, rh, rl}, add = $\left\{ \begin{array}{l} 0: X-0xFFFF:X \text{ memory} \\ 0: Y-0xFFFF:Y \text{ memory} \end{array} \right\}$.
- 2.** One of following mnemonic should be selected: dest = {ro, reh, re, rh, rl}, source = {re, rh, rl}.
- 3.** Any register except general registers should be selected as dest or source.

	Name	Mnemonic	Operation	Concurrent Writing Processing										Flag	
				TRI.	DYAD.	MONAD.	Load/ store	TRANS.	IMM.	BR.	LOOP.	CTL.	OV		
Branch	Jump	JMP imm	$PC \leftarrow imm$											○	●
	Inter-register indirect jump	JMP dp	$PC \leftarrow dp$											○	●
	Subroutine call	CALL imm	$SP \leftarrow SP + 1$ $STK \leftarrow PC + 1$ $PC \leftarrow imm$											○	●
	Inter-register indirect subroutine call	CALL dp	$SP \leftarrow SP + 1$ $STK \leftarrow PC + 1$ $PC \leftarrow dp$											○	●
	Return	RET	$PC \leftarrow STK$ $SP \leftarrow SP - 1$											○	●
	Return from interrupt	RETI	$PC \leftarrow STK$ $STK \leftarrow SP - 1$ Restore the interrupt enable flag											○	●
Hardware loop	Repeat	REP count	start $RC \leftarrow count$ $RF \leftarrow 0$ repeat $PC \leftarrow PC$ $RC \leftarrow RC - 1$ end $PC \leftarrow PC + 1$ $RF \leftarrow 1$												●
	Loop	LOOP count (Mnemonics more than two lines)	start $RC \leftarrow count$ $RF \leftarrow 0$ repeat $PC \leftarrow PC$ $RC \leftarrow RC - 1$ end $PC \leftarrow PC + 1$ $RF \leftarrow 1$												●
	Loop pop	LPOP	$LC \leftarrow LSR3$ $LE \leftarrow LSR2$ $LS \leftarrow LSR1$ $LSP \leftarrow LSP - 1$												●
Control	No operation	NOP	$PC \leftarrow PC + 1$												●
	Halt	HALT	CPU stop Note1												●
	Stop	STOP	CPU, PLL, OSC Stop Note2												●
	If	IF (ro cond)	Conditional judge			○		○			○				●
	Forget interrupt	FINT	Forget interrupt requests												●

- Note 1.** The HALT instruction causes all function except for clock and PLL to halt. The system is placed in much less power consumption mode.
The contents of internal registers and memories are maintained.
HALT is released by interrupt input. It takes several system clock to recover.
- 2.** The STOP instruction causes all function including clock and PLL to stop. The system is placed in a minimum-power consumption mode.
The contents of internal registers and memories are not maintained.
After the STOP instruction is executed, pin status is maintained.
STOP is released by hardware reset. It takes a few ms to recover.

4. ELECTRICAL SPECIFICATIONS

Absolute Maximum Ratings (T_A = +25 °C)

Parameters	Symbol	Conditions	Ratings	Unit
Power supply voltage	V _{DD}		-0.5 to +4.6	V
Input voltage	V _I	2.7 V ≤ V _{DD} ≤ 3.6 V	-0.5 to +4.1 V _I < V _{DD} + 0.5 V	V
Output voltage	V _O		-0.5 to +4.6	V
Storage temperature	T _{stg}		-65 to +150	°C
Operating ambient temperature	T _A		-40 to +85	°C

Caution Exposure to Absolute Maximum Ratings for extended periods may affect device reliability; exceeding the ratings could cause permanent damage. The parameters apply independently. The device should be operated within the limits specified under DC and AC Characteristics.

Recommended Operating Conditions

Parameters	Symbol	Conditions	MIN.	TYP.	MAX.	Unit
Operating voltage	V _{DD}		2.7	3.0	3.6	V
Input voltage	V _I		0		V _{DD}	V

Capacitance (T_A = +25 °C, V_{DD} = 0 V)

Parameters	Symbol	Conditions	MIN.	TYP.	MAX.	Unit
Input capacitance	C _I	f = 1 MHz Unmeasured pins returned to 0 V.		10		pF
Output capacitance	C _O			10		pF
Input/output capacitance	C _{IO}			10		PF

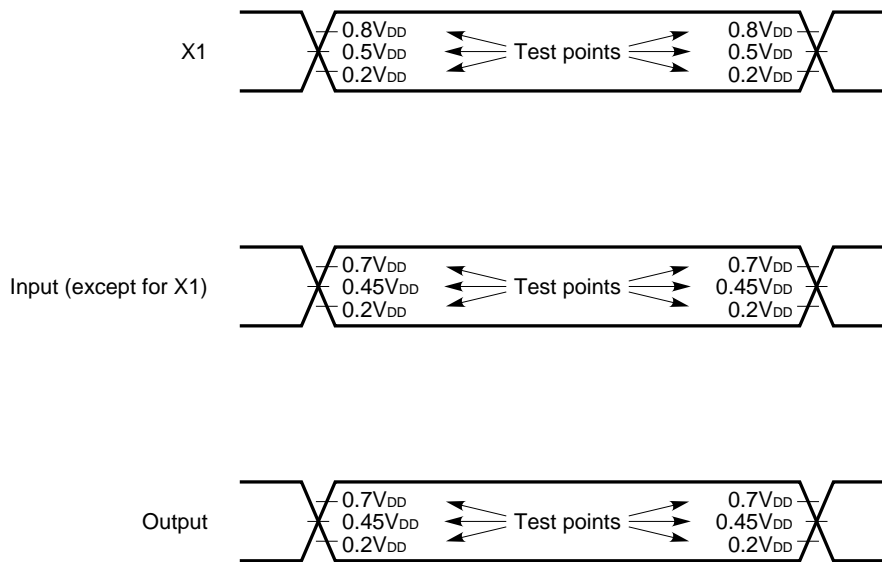
DC Characteristics (T_A = -40 to +85 °C, V_{DD} = 2.7 to 3.6 V)

Parameters	Symbol	Conditions	MIN.	TYP.	MAX.	Unit
High level input voltage	V _{IH}	Except for X1	0.7V _{DD}		V _{DD}	V
High level X1 input voltage	V _{IHC}	X1 input	0.8V _{DD}		V _{DD}	V
Low level input voltage	V _{IL}		0		0.2V _{DD}	V
High level output voltage	V _{OH}	I _{OH} = -2.0 mA	0.7V _{DD}			V
		I _{OH} = -100 μA	0.8V _{DD}			V
Low level output voltage	V _{OL}	I _{OL} = 2.0 mA			0.2V _{DD}	V
High level input leak current	I _{LIH}	Except for TDI, TMS, V _I = V _{DD}			10	μA
Low level input leak current	I _{LIL}	Except for TDI, TMS, V _I = 0 V			-10	μA
Pull-up pin current	I _{PI}	TDI, TMS, 0 V ≤ V _I ≤ V _{DD}			-250	μA
Power supply current	I _{DD} ^{Note 1}	Active mode, t _{cC} = 30 ns V _{IH} = V _{DD} , V _{IL} = 0 V, no load		Note 2	Note 3	mA
	I _{DDH}	HALT mode, t _{cC} = 240 ns V _{IH} = V _{DD} , V _{IL} = 0 V, no load			Note 4	mA
	I _{DDS}	STOP mode, V _{IH} = V _{DD} , V _{IL} = 0 V, no load			100	μA

Note 1. The TYP. value is measured when a general program is executed, and V_{DD} = 3 V condition. The MAX. value is measured when a special program that max. switching required is executed, and V_{DD} = 3.6 V condition.

2. μPD77015: 40 mA, μPD77017: 45 mA, μPD77018: 50 mA
3. μPD77015: 120 mA, μPD77017: 150 mA, μPD77018: 170 mA
4. μPD77015: 8 mA, μPD77017: 10 mA, μPD77018: 15 mA

AC Timing Test Points



AC Characteristics (T_A = -40 to +85 °C, V_{DD} = 2.7 to 3.6 V)

Clock

Required Timing Condition

Parameters	Symbol	Conditions	MIN.	TYP.	MAX.	Unit
CLKIN cycle time	t _{cCX}	PLL multiple rate: 1	30		35.7	ns
		PLL multiple rate: 2	60		71.4	ns
		PLL multiple rate: 4	120		143	ns
		PLL multiple rate: 8	240		286	ns
CLKIN high level width	t _{wCXH}		13.5		t _{cCX} - 13.5 - 2t _{trCX} ^{Note}	ns
CLKIN low level width	t _{wCXL}		13.5		t _{cCX} - 13.5 - 2t _{trCX} ^{Note}	ns
CLKIN rise/fall time	t _{trCX}				15	ns

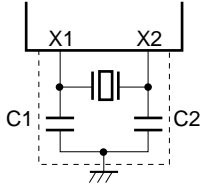
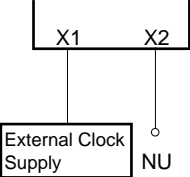
Note 0.5t_{cCX} - t_{trCX} ≥ 13.5 (MIN.)

Switching Characteristics

Parameters	Symbol	Conditions	MIN.	TYP.	MAX.	Unit
Internal clock cycle time	t _{cC}	Active mode		t _{cCX} /N ^{Note}		ns
		HALT mode		8t _{cCX} /N ^{Note}		ns
CLKOUT cycle time	t _{cCO}			t _{cC}		ns
CLKOUT level width	t _{wCO}		0.5t _{cCO} - 5			ns
CLKOUT rise/fall time	t _{trCO}				5	ns

Note N: PLL multiple rate (N = 1, 2, 4, 8)

★ Oscillator Circuit

Resonator	Recommended Circuit
Ceramic or crystal resonator	
External clock	 <p data-bbox="943 674 1208 701">NU: Not Use. Leave Open.</p>

Cautions 1. When using system clock oscillator, wire the portion enclosed in broken lines in the figure as follows to avoid adverse influences on the wiring capacitance:

- Keep the wiring length as short as possible.
- Do not cross the wiring over the other signal lines.
- Do not route the wiring in the vicinity of lines through which a high fluctuating current flows.
- Always keep the ground point of the capacitor of the oscillator circuit at the same potential as GND.
- Do not connect the power source pattern through which a high current flows.
- Do not extract signals from the oscillator.

2. When using ceramic resonator or crystal resonator, frequency multiple rate should be specified to as 1 by mask option. The device does not operate in other frequency multiple rate.

★ Recommended Oscillator Circuit Constants

	Manufacturer Name	Part Number	Frequency (MHz)	Recommended Constants	
				C1 [pF]	C2 [pF]
Ceramic Resonator	TDK	CCR33.0MC6	33.0	Internal	
	MURATA Manufacturing	CSA33.00MXZ040		5	5
		CST33.00MXW040		Internal	
		CSACV33.00MX040		5	5
		CSTCV33.00MX040		Internal	
Crystal Resonator	DAISHINKU	AT-49	10	10	
		DSX840G			

Remark Recommended oscillator circuit constants may differ on the wiring capacitance of the target board the customer designed. When using a resonator for the target system, let manufacturer evaluate.

Reset, Interrupt

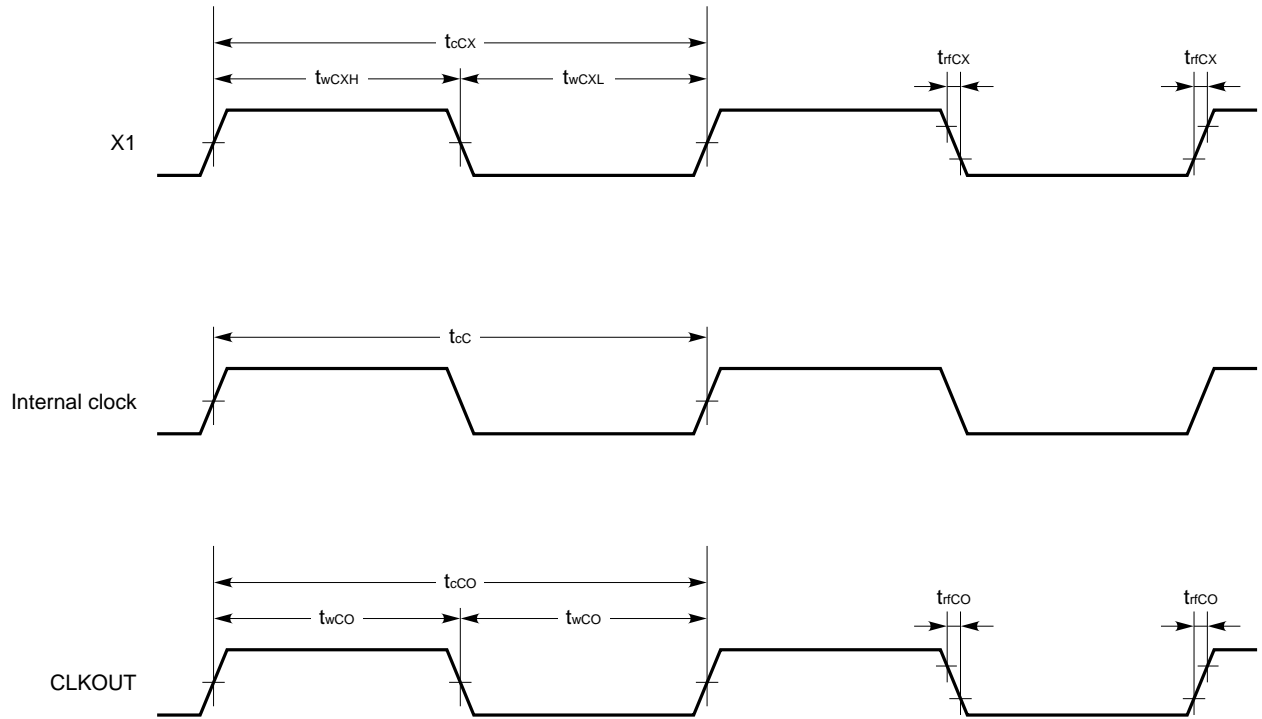
Required Timing Condition

Parameters	Symbol	Conditions	MIN.	TYP.	MAX.	Unit
$\overline{\text{RESET}}$ low level width	$t_{w(RL)}$	Crystal resonator is input, at power on or STOP mode	3 $t_{\text{Note 1}}$			ms
		External clock is input, at power on or STOP mode	100 $t_{\text{Note 1}}$			μs
		Active mode or HALT mode	4 t_{cc} Note 2			ns
$\overline{\text{RESET}}$ recovery time	$t_{\text{rec(R)}}$		4 t_{cc}			ns
$\overline{\text{INT1}}-\overline{\text{INT4}}$ low level width	$t_{w(\text{INTL})}$		3 t_{cc} Note 2			ns
$\overline{\text{INT1}}-\overline{\text{INT4}}$ recovery time	$t_{\text{rec}(\text{INT})}$		3 t_{cc}			ns

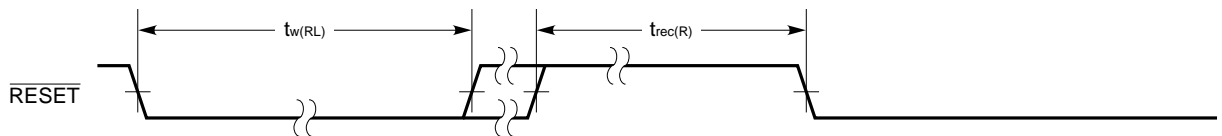
Note 1. The $t_{w(RL)}$ indicates a time between crystal resonator or oscillator starts to provide clock and PLL becomes stable. The $t_{w(RL)}$ depends on the rating of crystal resonator or oscillator. At power on, the $t_{w(RL)}$ is measured after the point that power supply voltage reaches to 0.8 V_{DD} .

2. Note that, during HALT mode, t_{cc} is extended to 8 times as long as that of Active mode.

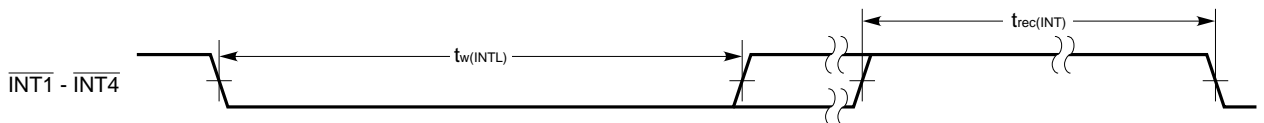
Clock Input/Output Timing



Reset Timing



Interrupt Timing



External Data Memory Access

Required Timing Condition

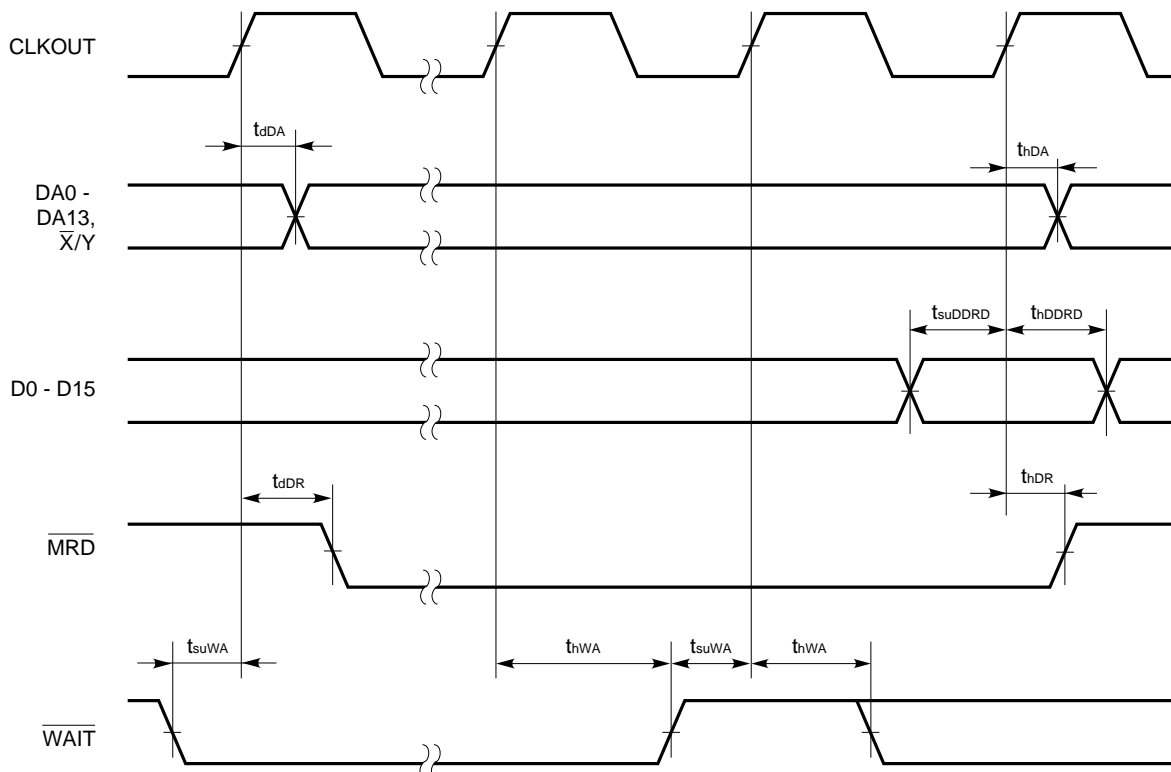
Parameters	Symbol	Conditions	MIN.	TYP.	MAX.	Unit
Read data setup time	t_{suDDR}		15			ns
Read data hold time	t_{hDDR}		0			ns
WAIT setup time	t_{suWA}		12			ns
WAIT hold time	t_{hWA}		0			ns

Switching Characteristics

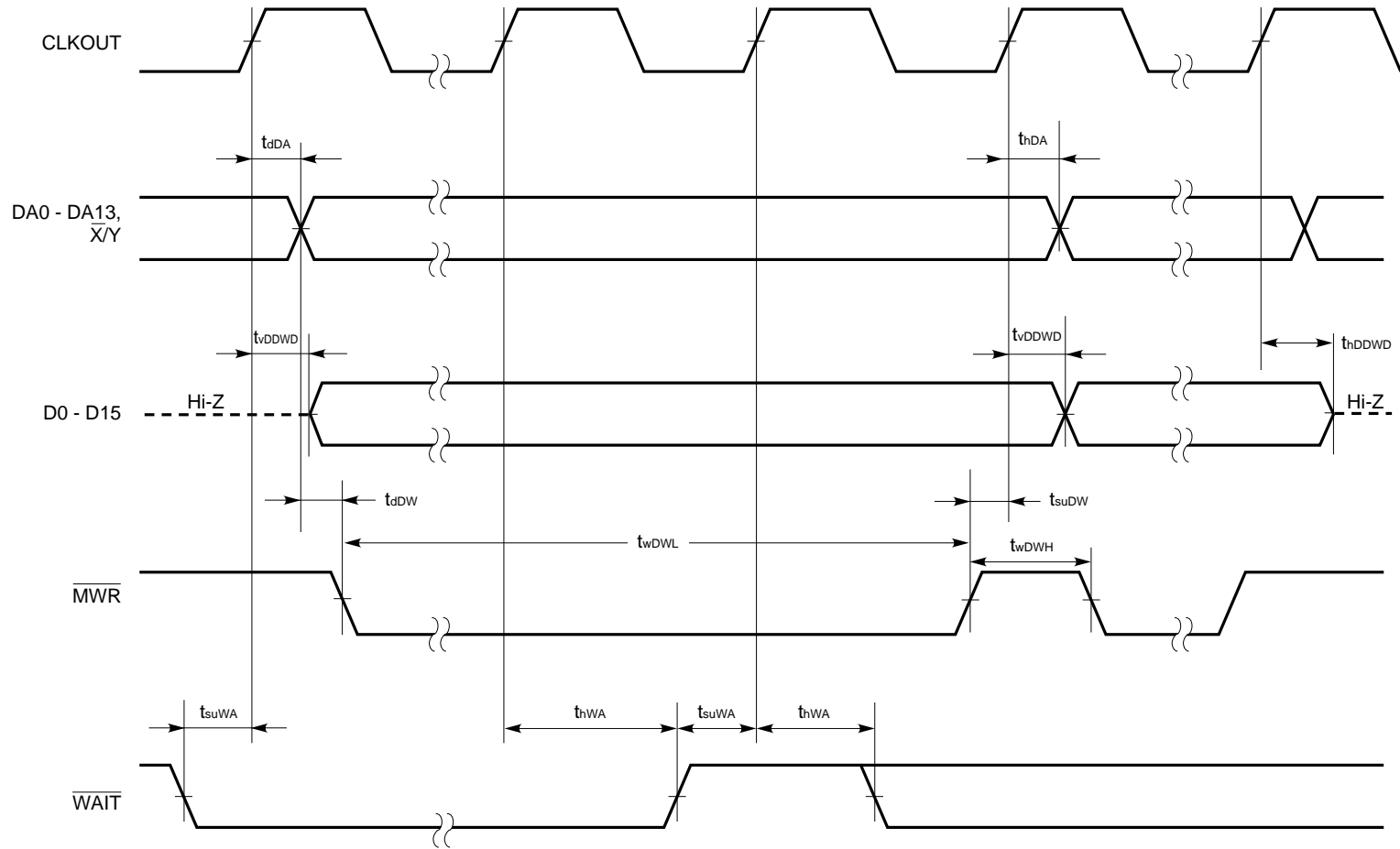
Parameters	Symbol	Conditions	MIN.	TYP.	MAX.	Unit
Address output delay time	t_{dDA}				8	ns
Address output hold time	t_{hDA}		0			ns
\overline{MRD} output delay time	t_{dDR}				8	ns
\overline{MRD} hold time	t_{hDR}		0			ns
Write data output valid time	t_{vDDWD}				16	ns
Write data output hold time	t_{hDDWD}		0			ns
MWR output delay time	t_{dDW}		$0.25t_{cC} - 5$			ns
MWR setup time	t_{suDW}		0			ns
MWR low level width	t_{wDWL}		$0.5t_{cC} - 3$ + t_{cDW} Note			ns
MWR high level width	t_{wDWH}		$0.5t_{cC} - 5$			ns

Note t_{cDW} : Data wait cycle

External Data Memory Access Timing (Read)



External Data Memory Access Timing (Write)



Bus Arbitration

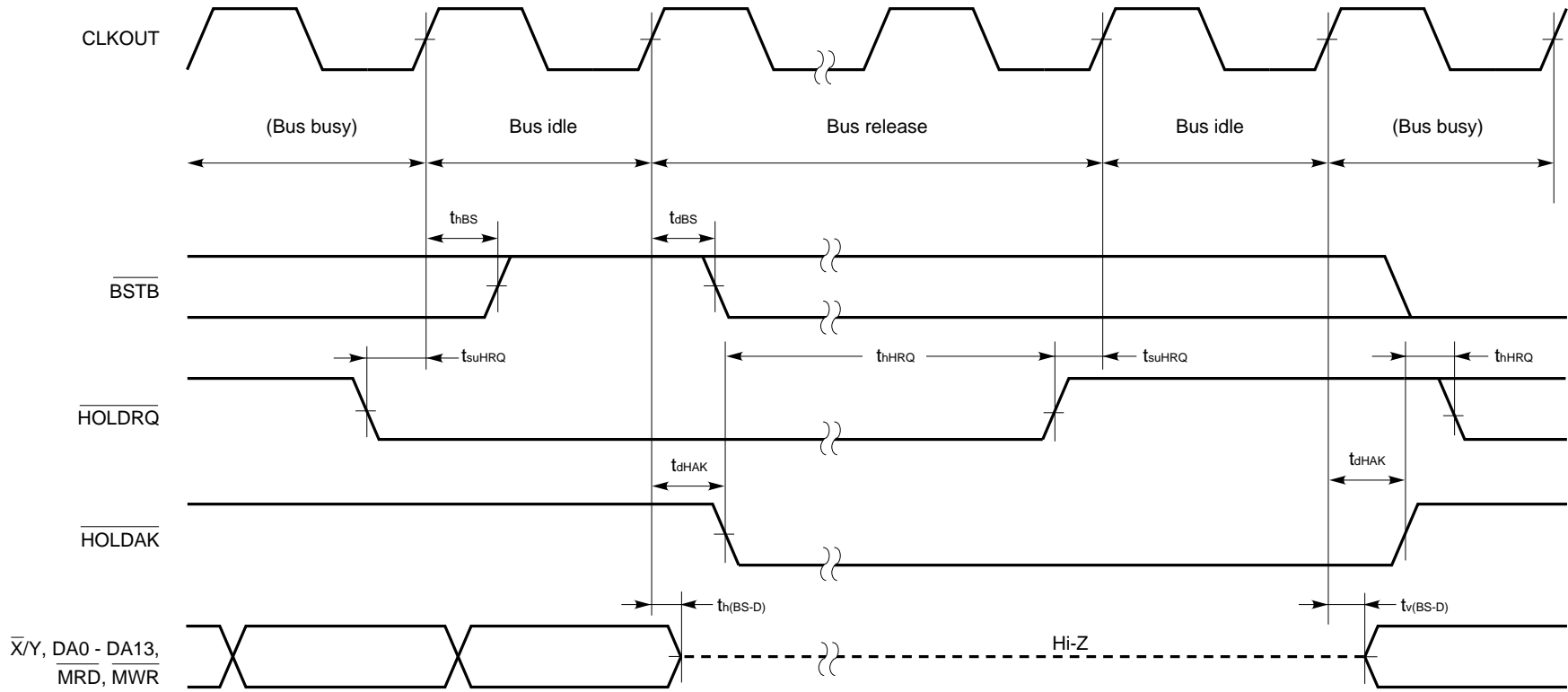
Required Timing Condition

Parameters	Symbol	Conditions	MIN.	TYP.	MAX.	Unit
$\overline{\text{HOLDRQ}}$ setup time	t_{suHRQ}		12			ns
$\overline{\text{HOLDRQ}}$ hold time	t_{hHRQ}		0			ns

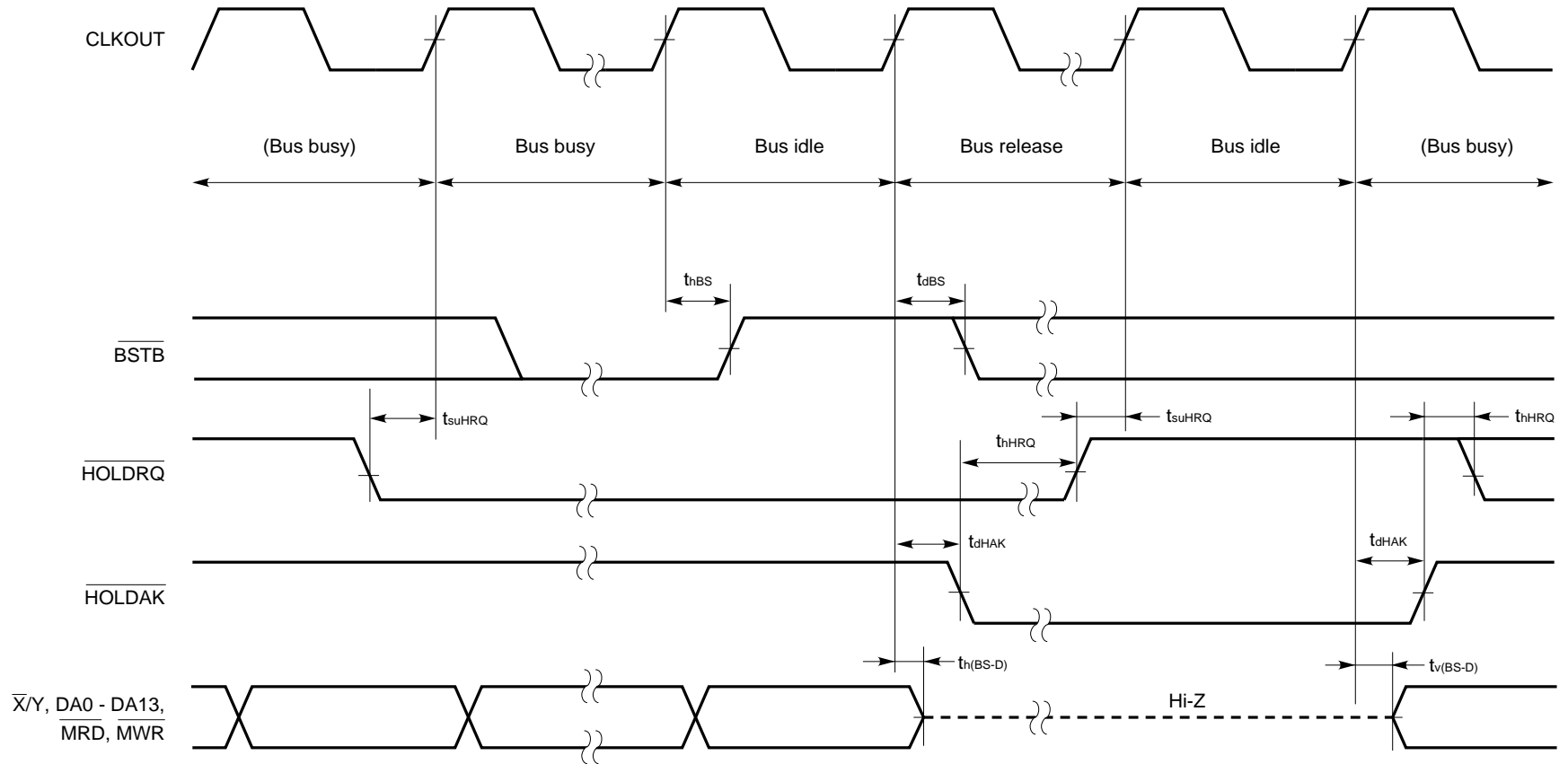
Switching Characteristics

Parameters	Symbol	Conditions	MIN.	TYP.	MAX.	Unit
$\overline{\text{BSTB}}$ hold time	t_{hBS}		0			ns
$\overline{\text{BSTB}}$ output delay time	t_{dBS}				12	ns
$\overline{\text{HOLDAK}}$ output delay time	t_{dHAK}				12	ns
Data hold time when bus arbitration	$t_{\text{h(BS-D)}}$				30	ns
Data valid time after bus arbitration	$t_{\text{v(BS-D)}}$				15	ns

Bus Arbitration Timing (Bus idle)



Bus Arbitration Timing (Bus busy)



Serial Interface

Required Timing Condition

Parameters	Symbol	Conditions	MIN.	TYP.	MAX.	Unit
SCK input cycle time	t_{cSCK}		$2t_{cC}$			ns
SCK input high/low level width	t_{wSCK}		25			ns
SCK input rise/fall time	t_{rSCK}				20	ns
SOEN recovery time	t_{recSOE}		20			ns
SOEN hold time	t_{hSOE}		0			ns
SIEN recovery time	t_{recSIE}		20			ns
SIEN hold time	t_{hSIE}		0			ns
SI setup time	t_{suSI}		20			ns
SI hold time	t_{hSI}		0			ns

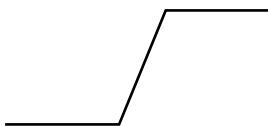
Switching Characteristics

Parameters	Symbol	Conditions	MIN.	TYP.	MAX.	Unit
SORQ output delay time	t_{dSOR}				30	ns
SORQ hold time	t_{hSOR}		0			ns
SO valid time	t_{vSO}				30	ns
SO hold time	t_{hSO}		0			ns
SIK output delay time	t_{dSIA}				30	ns
SIK hold time	t_{hSIA}		0			ns

★ **Notes for Serial Clock**

Serial clock inputs SCK1 and SCK2 are sensitive to any kind of interfering signals (noise on power supply, induced voltage, etc.). Spurious signals can cause malfunction of the device. Special care for the serial clock design should be taken. Careful grounding, decoupling and short wiring of SCK1 and SCK2 are recommended. Intersection of SCK1 and SCK2 with other serial interface lines or close wiring to lines carrying high frequency signals or large changing currents should be avoided.

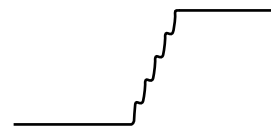
It considers for the serial clock to make a waveform stable especially about the rising and falling.



Example 1. good example
Straight rising form and falling form

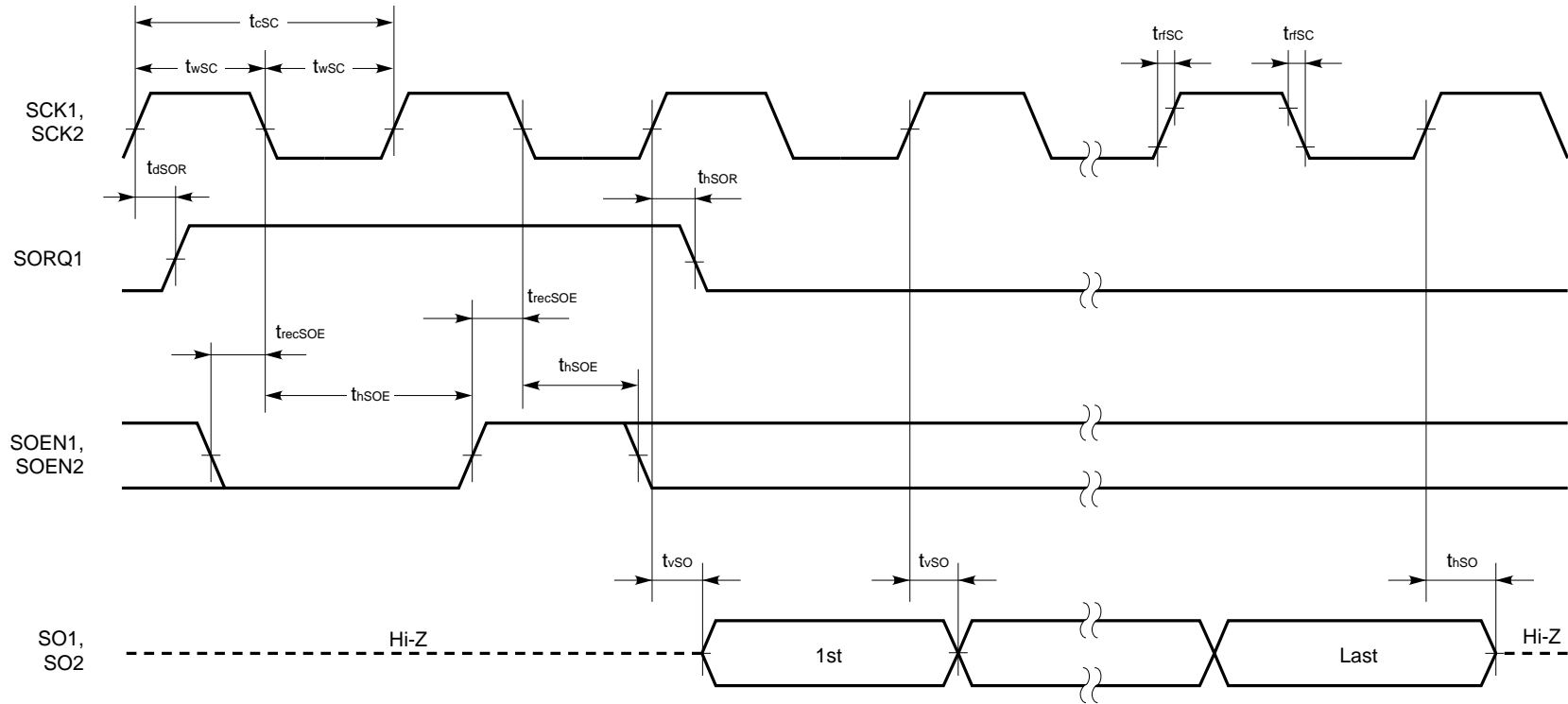


Example 2. no good example
It doesn't bound. It doesn't make noise one above another.

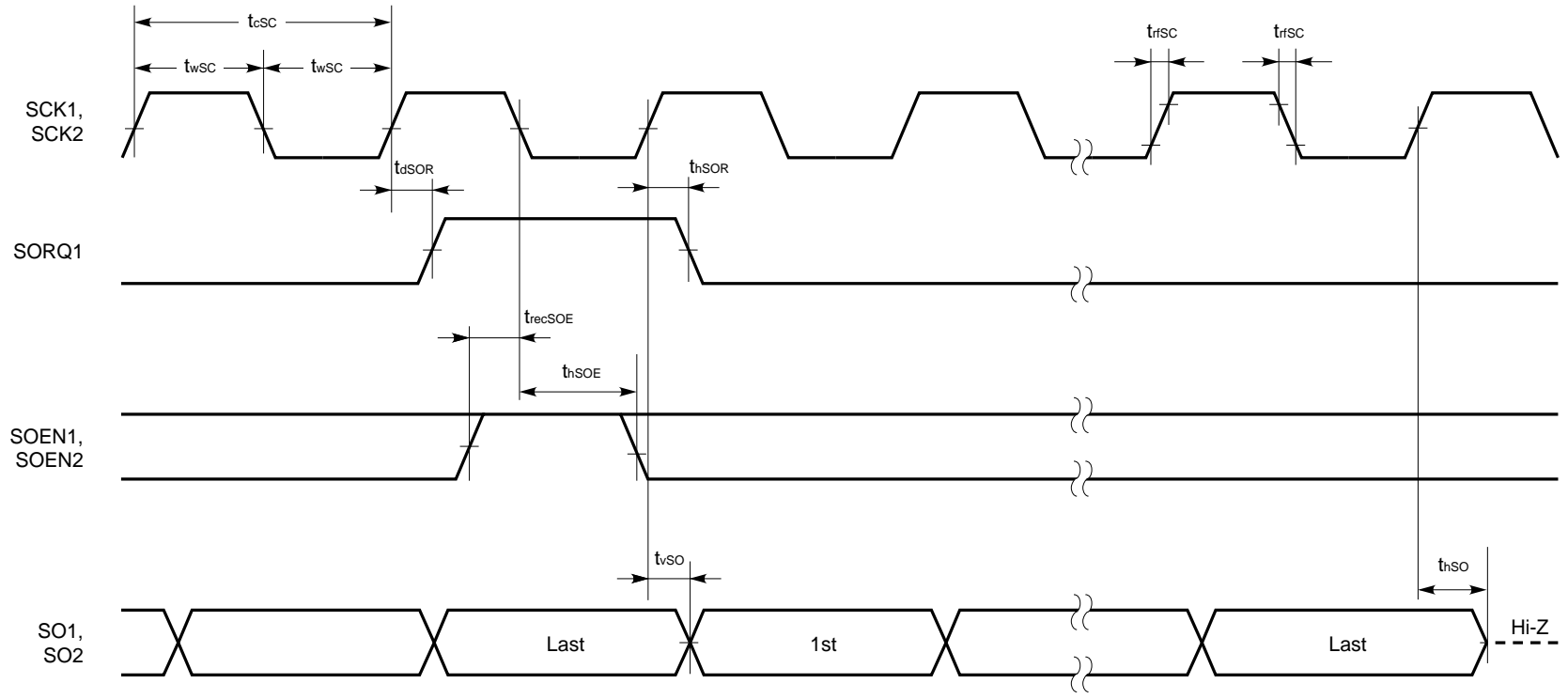


Example 3. no good example
It doesn't make a stair stepping.

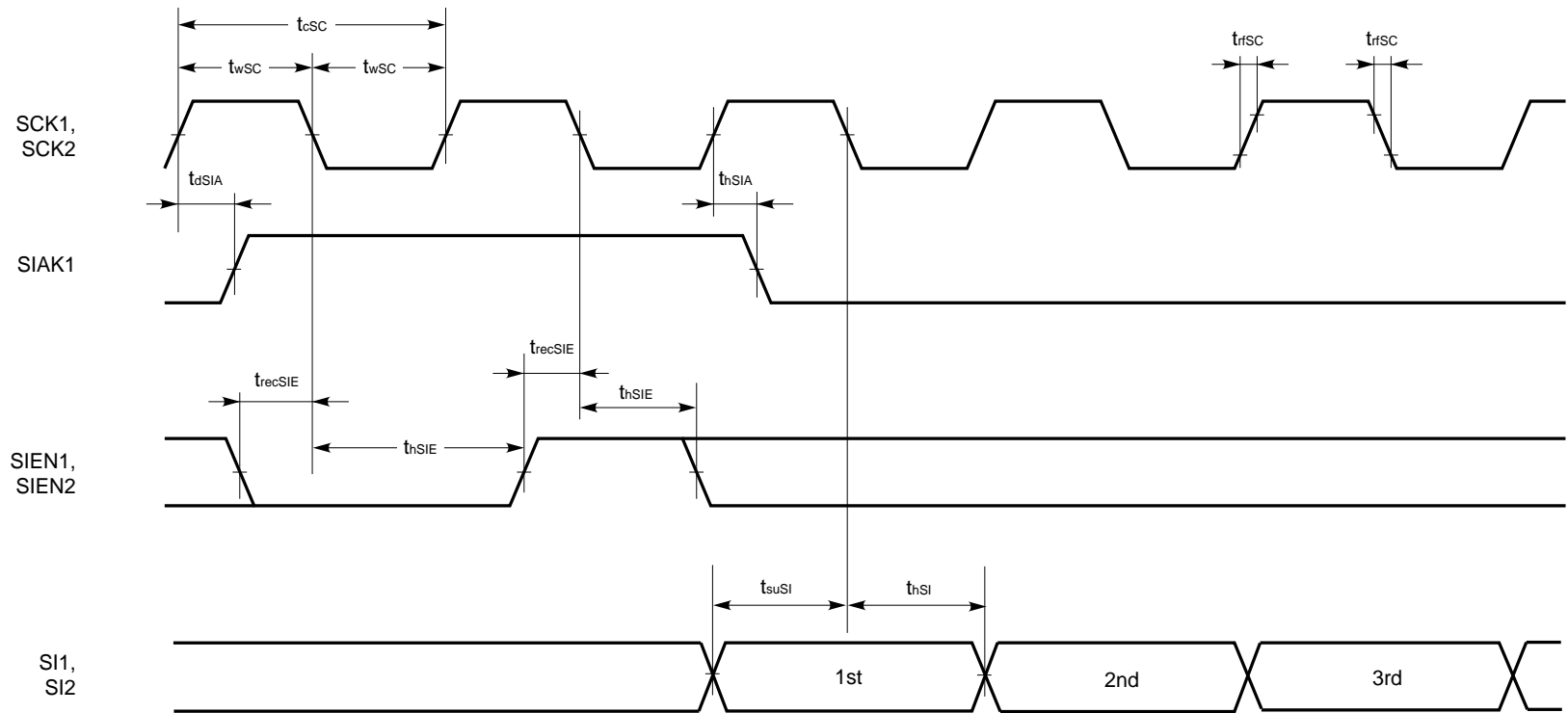
Serial Output Timing 1



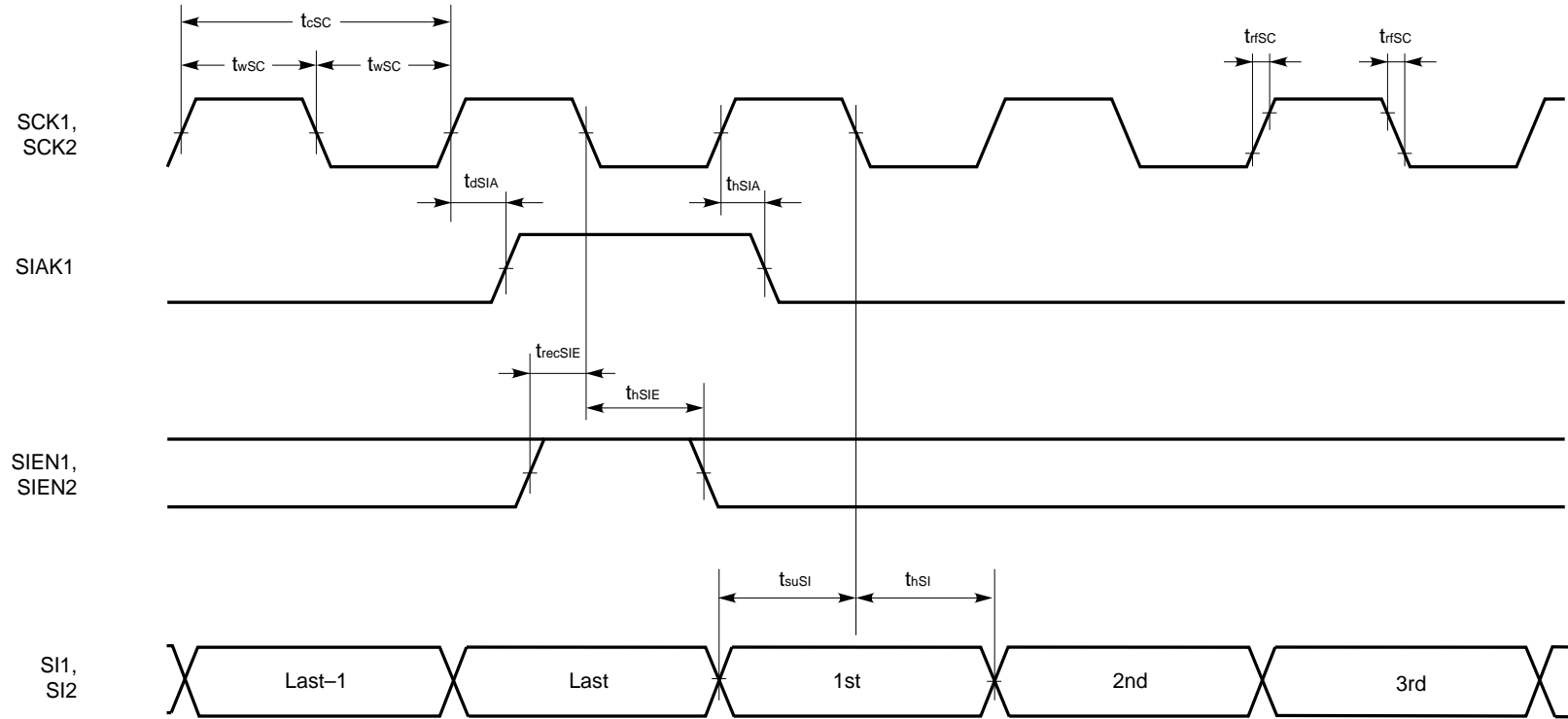
Serial Output Timing 2 (Continual output)



Serial Input Timing 1



Serial Input Timing 2 (Continual input)



Host Interface

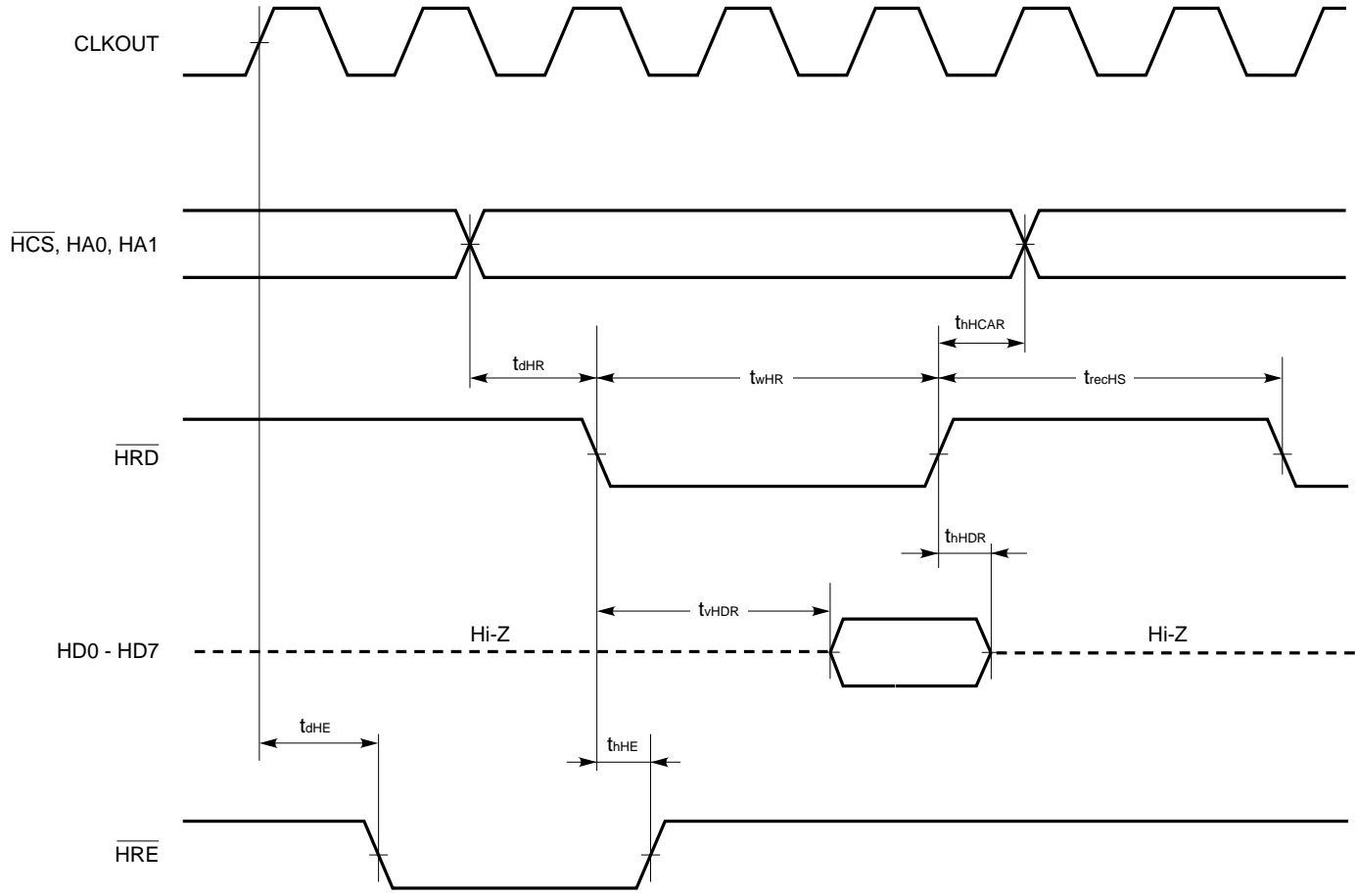
Required Timing Condition

Parameters	Symbol	Conditions	MIN.	TYP.	MAX.	Unit
$\overline{\text{HRD}}$ delay time	t_{dHR}		0			ns
$\overline{\text{HRD}}$ width	t_{wHR}		$2t_{cc}$			ns
$\overline{\text{HCS}}$, HA0, HA1 read hold time	t_{hHCAR}		0			ns
$\overline{\text{HCS}}$, HA0, HA1 write hold time	t_{hHCAW}		0			ns
$\overline{\text{HRD}}$, $\overline{\text{HWR}}$ recovery time	t_{recHS}		$2t_{cc}$			ns
$\overline{\text{HWR}}$ delay time	t_{dHW}		0			ns
$\overline{\text{HWR}}$ width	t_{wHW}		$2t_{cc}$			ns
$\overline{\text{HWR}}$ hold time	t_{hHDW}		0			ns
$\overline{\text{HWR}}$ setup time	t_{suHDW}		20			ns

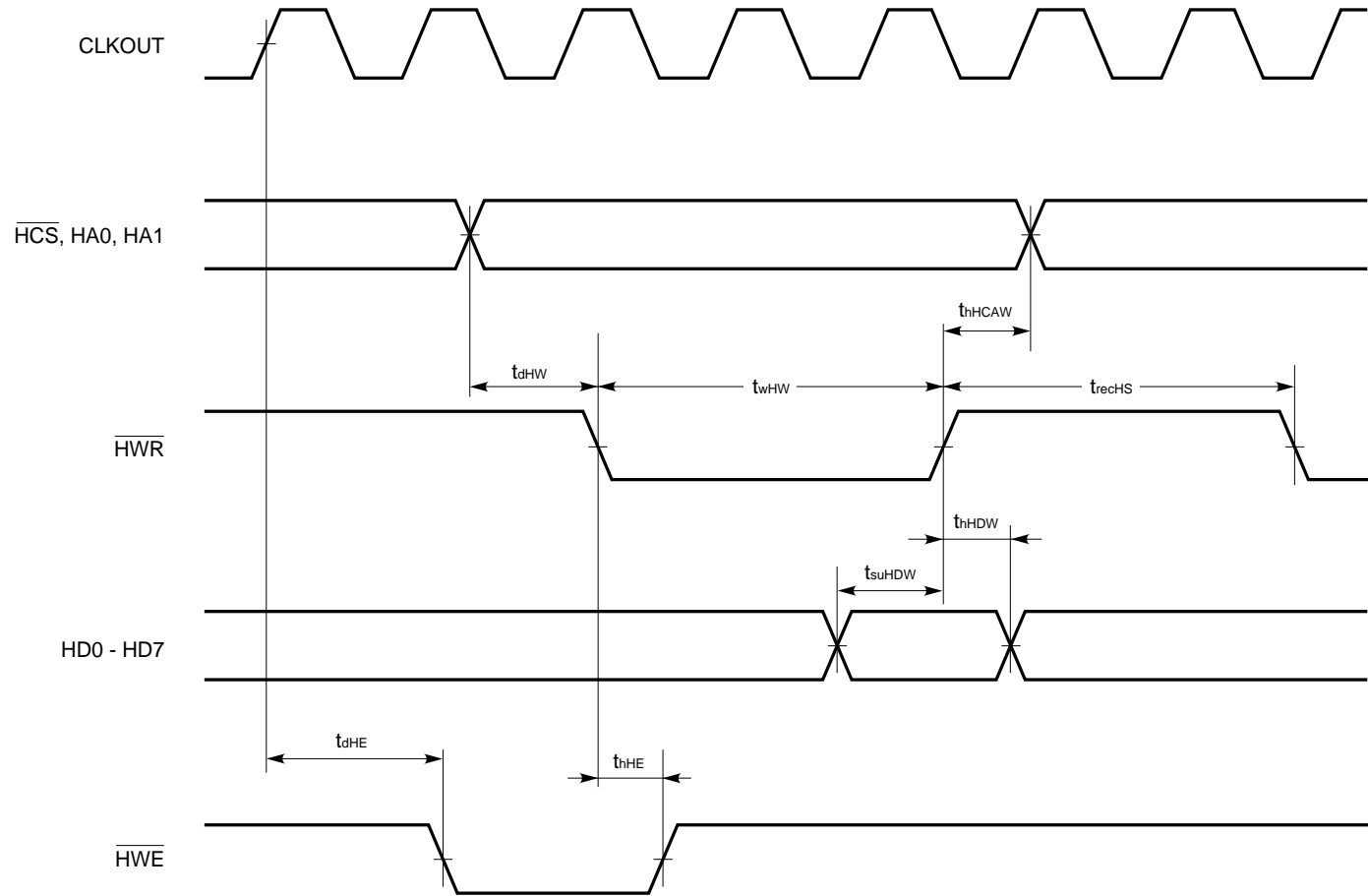
Switching Characteristics

Parameters	Symbol	Conditions	MIN.	TYP.	MAX.	Unit
$\overline{\text{HRE}}$, $\overline{\text{HWE}}$ output delay time	t_{dHE}				30	ns
$\overline{\text{HRE}}$, $\overline{\text{HWE}}$ hold time	t_{hHE}				30	ns
$\overline{\text{HRD}}$ valid time	t_{vHDR}				30	ns
$\overline{\text{HRD}}$ hold time	t_{hHDR}		0			ns

Host Interface Timing (Read)



Host Interface Timing (Write)



General Input/Output Ports

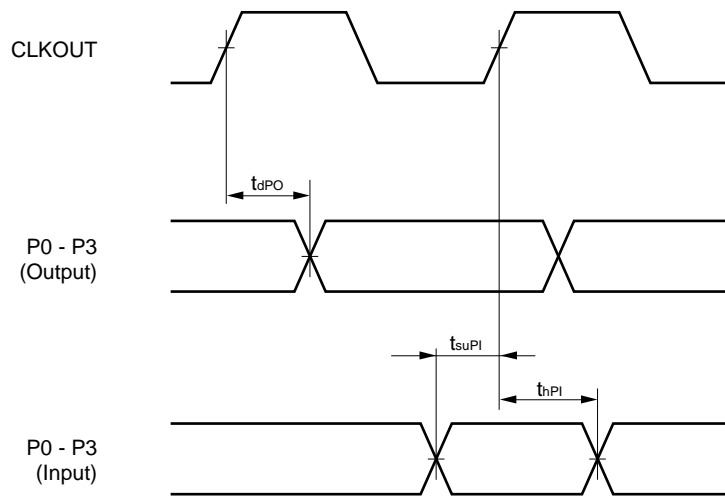
Required Timing Condition

Parameters	Symbol	Conditions	MIN.	TYP.	MAX.	Unit
Port input setup time	t_{suPI}		20			ns
Port input hold time	t_{hPI}		10			ns

Switching Characteristics

Parameters	Symbol	Conditions	MIN.	TYP.	MAX.	Unit
Port output delay time	t_{dPO}		0		30	ns

General Input/Output Ports Timing



Debugging Interface (JTAG)

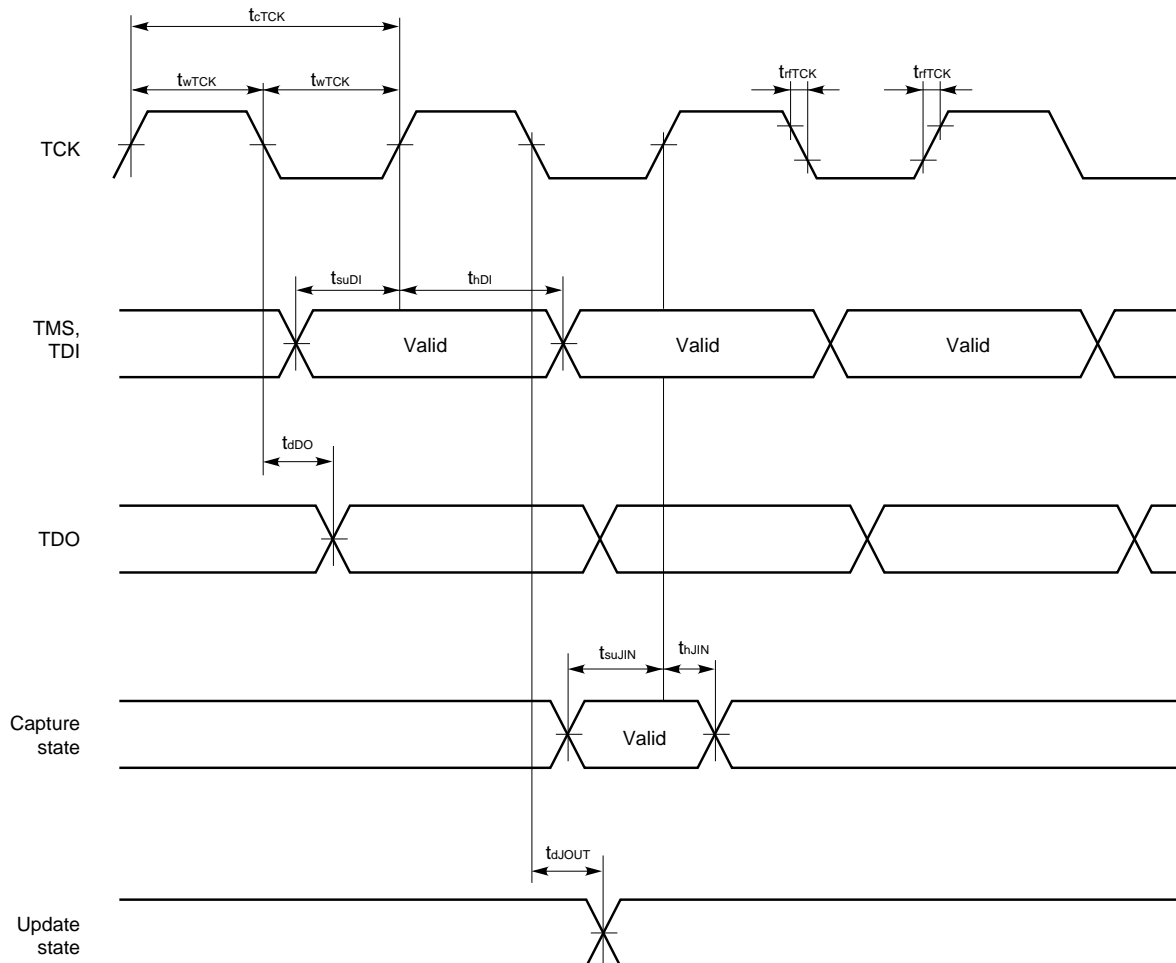
Required Timing Condition

Parameters	Symbol	Conditions	MIN.	TYP.	MAX.	Unit
TCK cycle time	t_{cTCK}		$4t_{cc}$			ns
TCK high/low level width	t_{wTCK}		50			ns
TCK rise/fall time	t_{rTCK}				20	ns
TMS, TDI setup time	t_{suDI}		10			ns
TMS, TDI hold time	t_{hDI}		0			ns
Input pin setup time	t_{suJIN}		10			ns
Input pin hold time	t_{hJIN}		0			ns

Switching Characteristics

Parameters	Symbol	Conditions	MIN.	TYP.	MAX.	Unit
TDO output delay time	t_{dDO}				30	ns
Output pin output delay time	t_{dJOUT}				30	ns

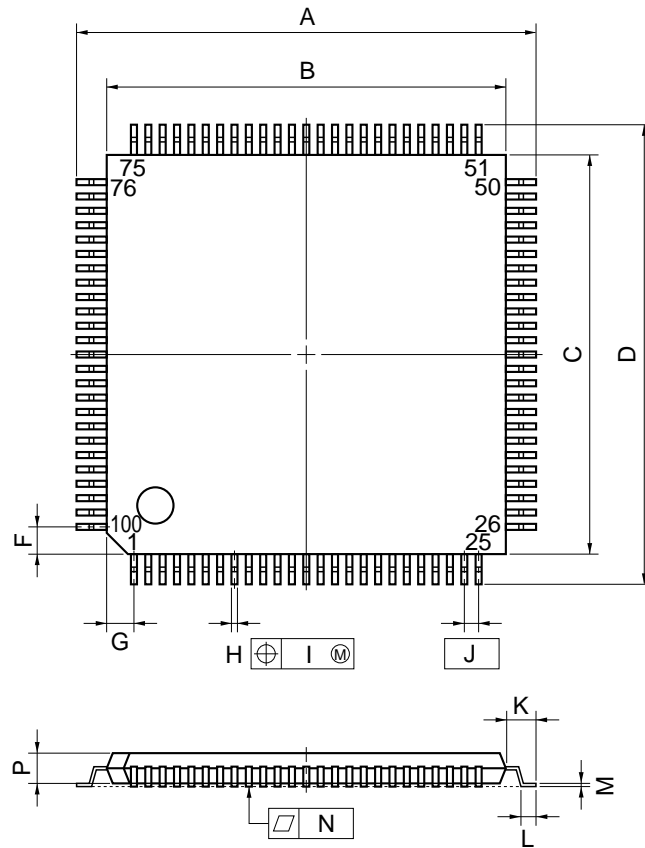
Debugging Interface Timing



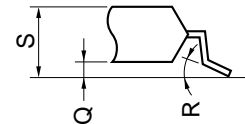
Remark For the details of JTAG, refer to “IEEE1149.1.”

5. PACKAGE DRAWING

100 PIN PLASTIC TQFP (FINE PITCH) (□14)



detail of lead end



NOTE

Each lead centerline is located within 0.10 mm (0.004 inch) of its true position (T.P.) at maximum material condition.

ITEM	MILLIMETERS	INCHES
A	16.0±0.2	0.630±0.008
B	14.0±0.2	0.551 ^{+0.009} _{-0.008}
C	14.0±0.2	0.551 ^{+0.009} _{-0.008}
D	16.0±0.2	0.630±0.008
F	1.0	0.039
G	1.0	0.039
H	0.22 ^{+0.05} _{-0.04}	0.009±0.002
I	0.10	0.004
J	0.5 (T.P.)	0.020 (T.P.)
K	1.0±0.2	0.039 ^{+0.009} _{-0.008}
L	0.5±0.2	0.020 ^{+0.008} _{-0.009}
M	0.145 ^{+0.055} _{-0.045}	0.006±0.002
N	0.10	0.004
P	1.0±0.1	0.039 ^{+0.005} _{-0.004}
Q	0.1±0.05	0.004±0.002
R	3° ^{+7°} _{-3°}	3° ^{+7°} _{-3°}
S	1.27 MAX.	0.050 MAX.

S100GC-50-9EU-1

6. RECOMMENDED SOLDERING CONDITIONS

When soldering these products, it is highly recommended to observe the conditions as shown below. If other soldering processes are used, or if the soldering is performed under different conditions, please make sure to consult with our sales offices.

For more details, refer to our document “**SEMICONDUCTOR DEVICE MOUNTING TECHNOLOGY MANUAL**” (C10535E).

μPD77015GC-xxx-9EU: 100-pin plastic TQFP (FINE PITCH) (14mm × 14mm)

Process	Conditions	Symbol
Infrared ray reflow	Peak temperature: 235 °C or below (Package surface temperature), Reflow time: 30 seconds or less (at 210 °C or higher), Maximum number of reflow processes : 2 times, Exposure limit Note : 7 days (10 hours pre-baking is required at 125 °C afterwards).	IR35-107-2
Vapor Phase Soldering	Peak temperature: 215 °C or below (Package surface temperature), Reflow time: 40 seconds or less (at 200 °C or higher), Maximum number of reflow processes : 2 times, Exposure limit Note : 7 days (10 hours pre-baking is required at 125 °C afterwards).	VP15-107-2
Partial heating method	Pin temperature : 300 °C or below, Heat time : 3 seconds or less (Per each side of the device)	—

Note Maximum allowable time from taking the soldering package out of dry pack to soldering.
Storage conditions: 25 °C and relative humidity of 65 % or less.

Caution Apply only one kind of soldering condition to a device, except for “partial heating method”, or the device will be damaged by heat stress.

μPD77017GC-xxx-9EU: 100-pin plastic TQFP (FINE PITCH) (14mm × 14mm)

μPD77018GC-xxx-9EU: 100-pin plastic TQFP (FINE PITCH) (14mm × 14mm)

Process	Conditions	Symbol
Infrared ray reflow	Peak temperature: 235 °C or below (Package surface temperature), Reflow time: 30 seconds or less (at 210 °C or higher), Maximum number of reflow processes : 2 times, Exposure limit Note : 3 days (10 hours pre-baking is required at 125 °C afterwards).	IR35-103-2
Vapor Phase Soldering	Peak temperature: 215 °C or below (Package surface temperature), Reflow time: 40 seconds or less (at 200 °C or higher), Maximum number of reflow processes : 2 times, Exposure limit Note : 3 days (10 hours pre-baking is required at 125 °C afterwards).	VP15-103-2
Partial heating method	Pin temperature : 300 °C or below, Heat time : 3 seconds or less (Per each side of the device)	_____

Note Maximum allowable time from taking the soldering package out of dry pack to soldering.
Storage conditions: 25 °C and relative humidity of 65 % or less.

Caution Apply only one kind of soldering condition to a device, except for “partial heating method”, or the device will be damaged by heat stress.

[MEMO]

[MEMO]

[MEMO]

NOTES FOR CMOS DEVICES

① PRECAUTION AGAINST ESD FOR SEMICONDUCTORS

Note: Strong electric field, when exposed to a MOS device, can cause destruction of the gate oxide and ultimately degrade the device operation. Steps must be taken to stop generation of static electricity as much as possible, and quickly dissipate it once, when it has occurred. Environmental control must be adequate. When it is dry, humidifier should be used. It is recommended to avoid using insulators that easily build static electricity. Semiconductor devices must be stored and transported in an anti-static container, static shielding bag or conductive material. All test and measurement tools including work bench and floor should be grounded. The operator should be grounded using wrist strap. Semiconductor devices must not be touched with bare hands. Similar precautions need to be taken for PW boards with semiconductor devices on it.

② HANDLING OF UNUSED INPUT PINS FOR CMOS

Note: No connection for CMOS device inputs can be cause of malfunction. If no connection is provided to the input pins, it is possible that an internal input level may be generated due to noise, etc., hence causing malfunction. CMOS devices behave differently than Bipolar or NMOS devices. Input levels of CMOS devices must be fixed high or low by using a pull-up or pull-down circuitry. Each unused pin should be connected to V_{DD} or GND with a resistor, if it is considered to have a possibility of being an output pin. All handling related to the unused pins must be judged device by device and related specifications governing the devices.

③ STATUS BEFORE INITIALIZATION OF MOS DEVICES

Note: Power-on does not necessarily define initial status of MOS device. Production process of MOS does not define the initial operation status of the device. Immediately after the power source is turned ON, the devices with reset function have not yet been initialized. Hence, power-on does not guarantee out-pin levels, I/O settings or contents of registers. Device is not initialized until the reset signal is received. Reset operation must be executed immediately after power-on for devices having reset function.

[MEMO]

The export of this product from Japan is regulated by the Japanese government. To export this product may be prohibited without governmental license, the need for which must be judged by the customer. The export or re-export of this product from a country other than Japan may also be prohibited without a license from that country. Please call an NEC sales representative.

No part of this document may be copied or reproduced in any form or by any means without the prior written consent of NEC Corporation. NEC Corporation assumes no responsibility for any errors which may appear in this document.

NEC Corporation does not assume any liability for infringement of patents, copyrights or other intellectual property rights of third parties by or arising from use of a device described herein or any other liability arising from use of such device. No license, either express, implied or otherwise, is granted under any patents, copyrights or other intellectual property rights of NEC Corporation or others.

While NEC Corporation has been making continuous effort to enhance the reliability of its semiconductor devices, the possibility of defects cannot be eliminated entirely. To minimize risks of damage or injury to persons or property arising from a defect in an NEC semiconductor device, customers must incorporate sufficient safety measures in its design, such as redundancy, fire-containment, and anti-failure features.

NEC devices are classified into the following three quality grades:

"Standard", "Special", and "Specific". The Specific quality grade applies only to devices developed based on a customer designated "quality assurance program" for a specific application. The recommended applications of a device depend on its quality grade, as indicated below. Customers must check the quality grade of each device before using it in a particular application.

Standard: Computers, office equipment, communications equipment, test and measurement equipment, audio and visual equipment, home electronic appliances, machine tools, personal electronic equipment and industrial robots

Special: Transportation equipment (automobiles, trains, ships, etc.), traffic control systems, anti-disaster systems, anti-crime systems, safety equipment and medical equipment (not specifically designed for life support)

Specific: Aircrafts, aerospace equipment, submersible repeaters, nuclear reactor control systems, life support systems or medical equipment for life support, etc.

The quality grade of NEC devices is "Standard" unless otherwise specified in NEC's Data Sheets or Data Books. If customers intend to use NEC devices for applications other than those specified for Standard quality grade, they should contact an NEC sales representative in advance.

Anti-radioactive design is not implemented in this product.