

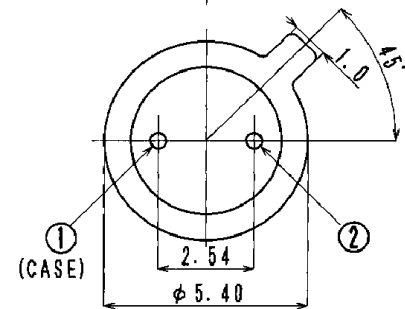
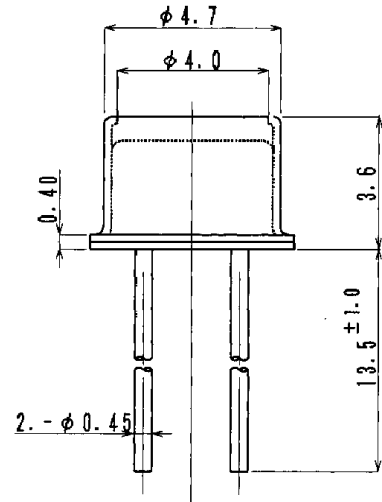
MTPS6067W

Features

Red Point Source LED
 Emitting Window Diameter 150 μ m
 Small Temp. Coefficient of PO
 High Reliability

Applications

Optical Switches
 Optical Instruments



① Cathode ② Anode

Maximum Ratings (Ta=25°C)

| Characteristic | Symbol | Max. | Test Condition | Unit |
|------------------------|------------------|----------|--------------------------|------|
| Forward Current | I _F | 50 | – | mA |
| Pulsed Forward Current | I _{FP} | .30 | tw=10 μ S, T=10mS | A |
| Reverse Voltage | V _R | 5 | – | V |
| Power Dissipation | P _D | 125.00 | – | mW |
| Operating Temperature | T _{opr} | –20~+85 | – | °C |
| Storage Temperature | T _{stg} | –30~+100 | – | °C |
| Junction Temperature | T _j | 100 | – | °C |
| Soldering Temperature | T _{sol} | 260 | for 5 sec. max | °C |

Opto-Electrical Characteristics (Ta=25°C)

| Characteristic | Symbol | Test Condition | Min | Typ | Max | Unit |
|---------------------------|-----------------|----------------------|-----|----------------|------|---------|
| Forward Voltage | V _F | I _F =20mA | – | 2.20 | 2.50 | V |
| Reverse Current | I _R | V _R =5V | – | – | 10 | μ A |
| Power Output | PO | I _F =20mA | .80 | 1.20 | – | mW |
| Half Intensity Beam Angle | θ | – | – | $\pm 25^\circ$ | – | deg. |
| Peak Wavelength | λ_p | I _F =20mA | – | 650 | – | nm |
| Spectral Line Half Width | $\Delta\lambda$ | I _F =20mA | – | 20 | – | nm |
| Temp Coefficient of PO | P/T | I _F =10mA | – | –.24 | – | %/°C |
| Temp Coefficient of VF | V/T | I _F =10mA | – | –3.80 | – | mV/°C |

Specifications are Subject to Change Without Notice

Company Headquarters

3 Northway Lane North
 Latham, New York 12110
 Toll Free: 800.984.5337
 Fax: 518.785.4725

West Coast Sales Office

950 South Coast Drive, Suite 265
 Costa Mesa, California 92626
 Toll Free: 800.984.5337
 Fax: 714.850.9314

MTPS6067W Graphs

