

2-CHANNEL MULTIPLEXER/DEMULTIPLEXER

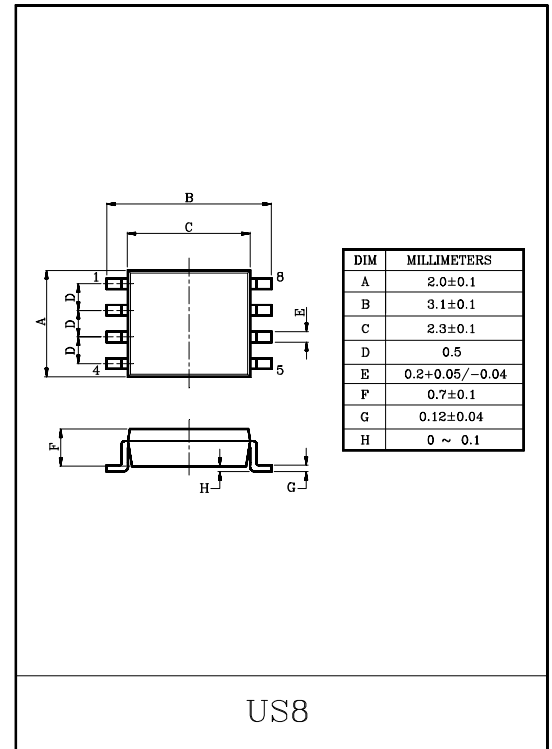
The KIC7W53FK is a high speed CMOS ANALOG MULTIPLEXER/DEMULTIPLEXER fabricated with silicon gate CMOS technology. They achieve the high speed operation similar to equivalent LSTTL while maintaining the CMOS low power dissipation. The KIC7W53FK has a 2 channel configuration. The digital signal to the control terminal turns "ON" the corresponding switch of each channel a large amplitude signal ($V_{CC}-V_{EE}$) can then be switched by the small logical amplitude ($V_{CC}-GND$) control signal. For example, in the case of $V_{CC}=5V$, $GND=0V$, $V_{EE}=-5V$, signals between $-5V$ and $+5V$ can be switched from the logical circuit with a single power supply of 5V. As the ON-resistance of each switch is low, they can be connected to circuit with low input impedance. All inputs are equipped with protection circuits against static discharge or transient excess voltage.

FEATURES

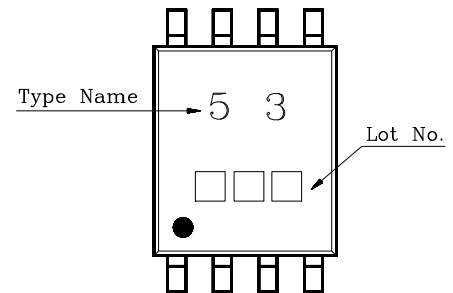
- High Speed : $t_{pd}=15ns$ (Typ.) at $V_{CC}=5V$, $V_{EE}=0V$
- Low Power Dissipation : $I_{CC}=4\mu A$ (Max.) at $T_a=25^\circ C$.
- High Noise Immunity : $V_{NIH}=V_{NIL}=28\% V_{CC}$ (Min.).
- Low ON Resistance : $R_{ON}=50\Omega$ (Typ.) at $V_{CC}-V_{EE}=9V$
- High Degree of Linearity : $THD=0.02$ (Typ.) at $V_{CC}-V_{EE}=9V$

MAXIMUM RATINGS ($T_a=25^\circ C$)

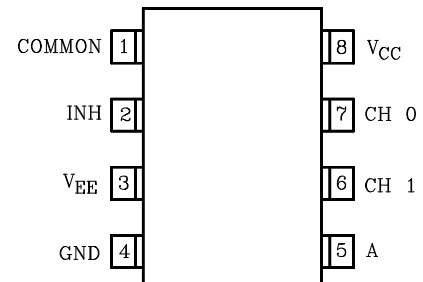
CHARACTERISTIC	SYMBOL	RATING	UNIT
Supply Voltage Range	V_{CC}	-0.5~10	V
	$V_{CC}-V_{EE}$	-0.5~10	
Control Input Voltage	V_{IN}	-0.5~ $V_{CC}+0.5$	V
Switch I/O Voltage	V_{IO}	$V_{EE}-0.5 \sim V_{CC}+0.5$	V
Control Input Diode Current	I_{CK}	± 20	mA
I/O Diode Current	I_{OK}	± 20	mA
Switch Through Current	I_T	± 25	mA
DC V_{CC} /Ground Current	I_{CC}	± 50	mA
Power Dissipation	P_D	200	mW
Storage Temperature	T_{stg}	-65~150	$^\circ C$
Lead Temperature (10s)	T_L	260	$^\circ C$



MARKING

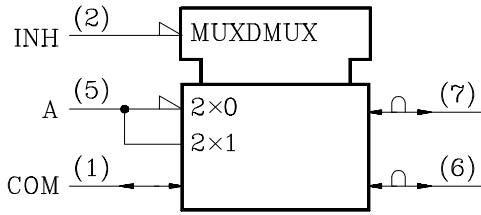


PIN CONNECTION(TOP VIEW)



KIC7W53FK

LOGIC SYMBOL

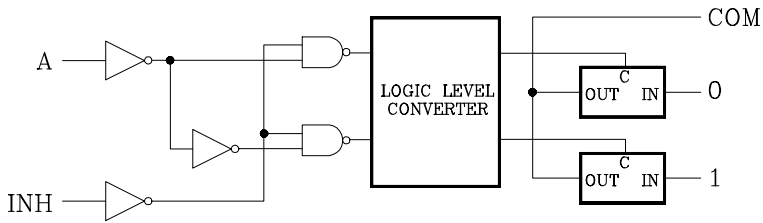


TRUTH TABLE

CONTROL INPUT		ON CHANNEL
INH	A	
L	L	ch 0
L	H	ch 1
H	X	NONE

X : Don't care

LOGIC DIAGRAM



RECOMMENDED OPERATING CONDITIONS

CHARACTERISTIC	SYMBOL	RATING	UNIT
Supply Voltage	V_{CC}	2~9	V
	V_{EE}	-4.5~0	
	$V_{CC} \sim V_{EE}$	2~9	
Control Input Voltage	V_{IN}	0~ V_{CC}	V
Switch I/O Voltage	$V_{I/O}$	0~ V_{CC}	V
Operating Temperature	T_{opr}	-40~85	°C
Input Rise and Fall Time	t_r, t_f	0~1000 ($V_{CC}=2.0V$) 0~500 ($V_{CC}=4.5V$) 0~400 ($V_{CC}=6.0V$)	ns

KIC7W53FK

DC ELECTRICAL CHARACTERISTICS

CHARACTERISTIC	SYMBOL	TEST CONDITION	Ta=25°C			Ta=-40~85°C		UNIT		
			V _{EE} (V)	V _{CC} (V)	MIN.	TYP.	MAX.		MIN.	MAX.
High-Level Control Input Voltage	V _{IHC}			2.0	1.5	-	-	1.5	-	V
				4.5	3.15	-	-	3.15	-	
				6.0	4.2	-	-	4.2	-	
Low-Level Control Input Voltage	V _{ILC}			2.0	-	-	0.5	-	0.5	V
				4.5	-	-	1.35	-	1.35	
				6.0	-	-	1.8	-	1.8	
ON Resistance	R _{ON}	V _{IN} =V _{IHC} V _{I/O} =V _{CC} to GND I _{I/O} ≤2mA	GND	4.5	-	85	180	-	225	Ω
			-4.5	4.5	-	55	120	-	150	
		V _{IN} =V _{IHC} V _{I/O} =V _{CC} or GND I _{I/O} ≤2mA	GND	2.0	-	150	-	-	-	
			GND	4.5	-	70	150	-	190	
			-4.5	4.5	-	50	100	-	125	
Difference of ON Resistance Between Switches	ΔR _{ON}	V _{IN} =V _{IHC} V _{I/O} =V _{CC} to GND I _{I/O} ≤2mA	GND	4.5	-	10	30	-	35	Ω
			-4.5	4.5	-	5	12	-	15	
Input/Output Leakage Current (SWITCH OFF)	I _{OFF}	V _{OS} =GND V _{I/S} =GND to V _{CC} V _{IN} =V _{ILC} or V _{IHC}	GND -4.5	6.0 4.5	-	-	±60 ±100	-	±600 ±1000	nA
Switch Input Leakage Current (SWITCH ON OUTPUT OPEN)	I _{IZ}	V _{OS} =V _{CC} or GND V _{IN} =V _{ILC} or V _{IHC}	GND -4.5	6.0 4.5	-	-	±60 ±100	-	±600 ±1000	nA
Control Input Current	I _{IN}	V _{IN} =V _{CC} or GND	GND	6.0	-	-	±0.1	-	±1.0	μA
Quiescent Supply Current	I _{CC}	V _{IN} =V _{CC} or GND	GND -4.5	6.0 4.5	- -	- -	4 8	- -	40 80	μA

KIC7W53FK

AC ELECTRICAL CHARACTERISTICS (C_L=50pF, Input, t_r=t_f=6nS, GND=0V)

CHARACTERISTIC	SYMBOL	TEST CONDITION	T _a =25°C						T _a =-40~85°C		UNIT
			V _{EE} (V)	V _{CC} (V)	MIN.	TYP.	MAX.	MIN.	MAX.		
Phase Difference Between Input and Output	φ I/O		GND	2.0	-	25	60	-	75	ns	
			GND	4.5	-	6	12	-	15		
			GND	6.0	-	5	10	-	13		
			-4.5	4.5	-	4	-	-	-		
Output Enable Time	t _{pZL} t _{pZH}	R _L =1kΩ	GND	2.0	-	50	225	-	280	ns	
			GND	4.5	-	14	45	-	56		
			GND	6.0	-	12	38	-	48		
			-4.5	4.5	-	14	-	-	-		
Output Disable Time	t _{pLZ} t _{pHZ}	R _L =1kΩ	GND	2.0	-	95	225	-	280	ns	
			GND	4.5	-	30	45	-	56		
			GND	6.0	-	26	38	-	48		
			-4.5	4.5	-	26	-	-	-		
Control Input Capacitance	C _{IN}		-	-	-	5	10	-	10	pF	
Common Terminal Capacitance	C _{IS}		-4.5	4.5	-	11	20	-	20	pF	
Switch Terminal Capacitance	C _{OS}		-4.5	4.5	-	7	15	-	15	pF	
Feed Through Capacitance	C _{IOS}		-4.5	4.5	-	0.75	2	-	2	pF	
Power Dissipation Capacitance	C _{PD}	(Note 1)	GND	5.0	-	67	-	-	-	pF	

Note 1 : C_{PD} is defined as the value of the internal equivalent capacitance which is calculated from the operating current consumption without load.

Average operating current can be obtained by the equation :

$$I_{CC(oper)} = C_{PD} \cdot V_{CC} \cdot f_{IN} + I_{CC}/2$$

ANALOG SWITCH CHARACTERISTICS (GND=0V, T_a=25°C)

CHARACTERISTIC	SYMBOL	TEST CONDITION			TYP.	UNIT	
			V _{EE} (V)	V _{CC} (V)			
Sine Wave Distortion (T.H.D)		R _L =10kΩ, f _{IN} =1kHz, C _L =50pF	V _{IN} =4.0V _{P-P}	-2.25	2.25	0.025	%
			V _{IN} =8.0V _{P-P}	-4.5	4.5	0.02	
Frequency Response (Switch ON)	f _{MAX}	Adjust f _{IN} voltage to obtain 0dBm at V _{OS} increase f _{IN} until dB Meter reads -3dB R _L =50Ω, f _{IN} =1MHz, C _L =10pF, Sine Wave	(*1)	-2.25	2.25	120	MHz
			(*2)			95	
			(*1)	-4.5	4.5	190	
			(*2)			150	
Feedthrough Attenuation (Switch OFF)		Vin is centered at (V _{CC} -V _{EE})/2 Adjust input for 0dBm R _L =600Ω, C _L =50pF, f _{IN} =1MHz, Sine Wave	-2.25	2.25	-50	dB	
			-4.5	4.5	-50		
Crosstalk (Control Input to Signal Output)		R _L =600Ω, C _L =50pF, f _{IN} =1MHz, Square Wave (t _r =t _f =6ns)	-2.25	2.25	60	mV	
			-4.5	4.5	140		
Crosstalk (Between any switches)		Adjust V _{IN} to obtain 0dBm at Input R _L =600Ω, C _L =50pF, f _{IN} =1MHz, Sine Wave	-2.25	2.25	-50	dB	
			-4.5	4.5	-50		

(*1) Input COMMON Terminal, and measured at SWITCH Terminal.

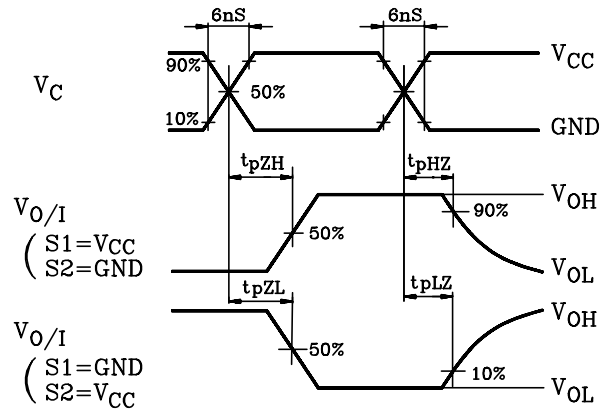
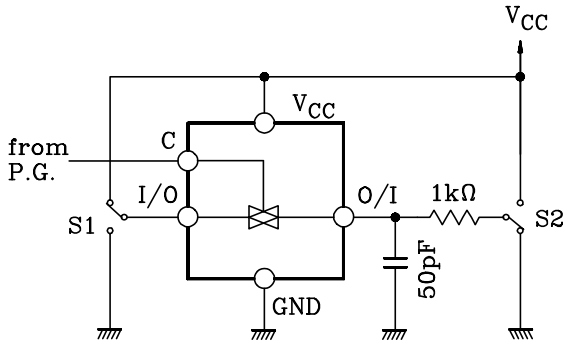
(*2) Input SWITCH Terminal, and measured at COMMON Terminal.

(Note) These characteristics are determined by design of device.

KIC7W53FK

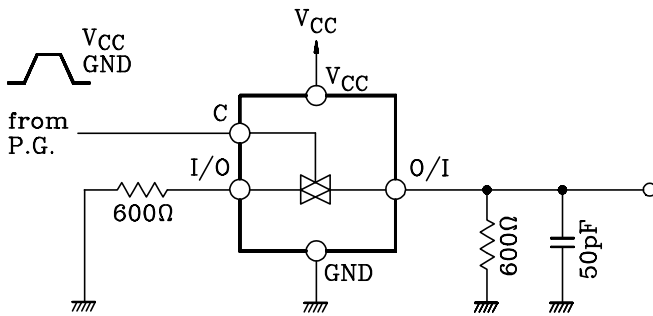
SWITCHING CHARACTERISTICS TEST CIRCUITS

1. t_{pLZ} , t_{pHZ} , t_{pZL} , t_{pZH}

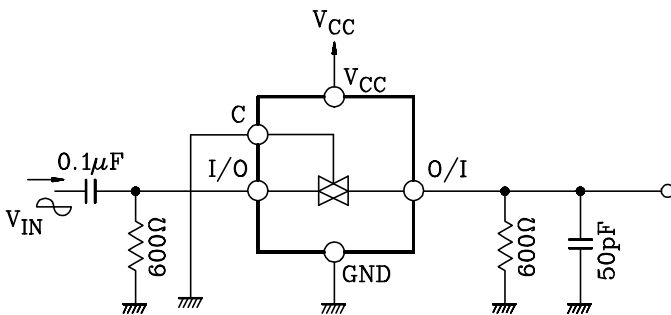


2. CROSS TALK (CONTROL INPUT-SWITCH OUTPUT)

$f_{in}=1\text{MHz}$, $\text{duty}=50\%$, $t_r=t_f=6\text{ns}$

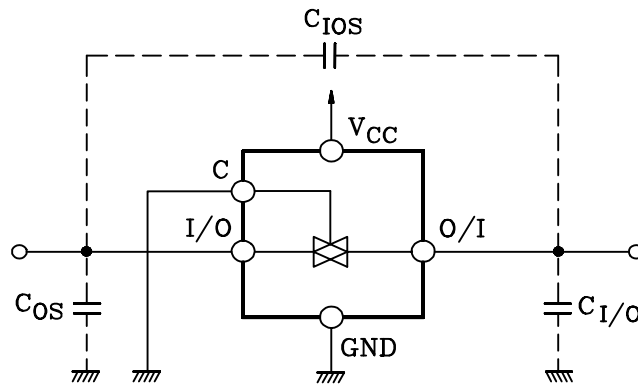


3. FEEDTHROUGH ATTENUATION

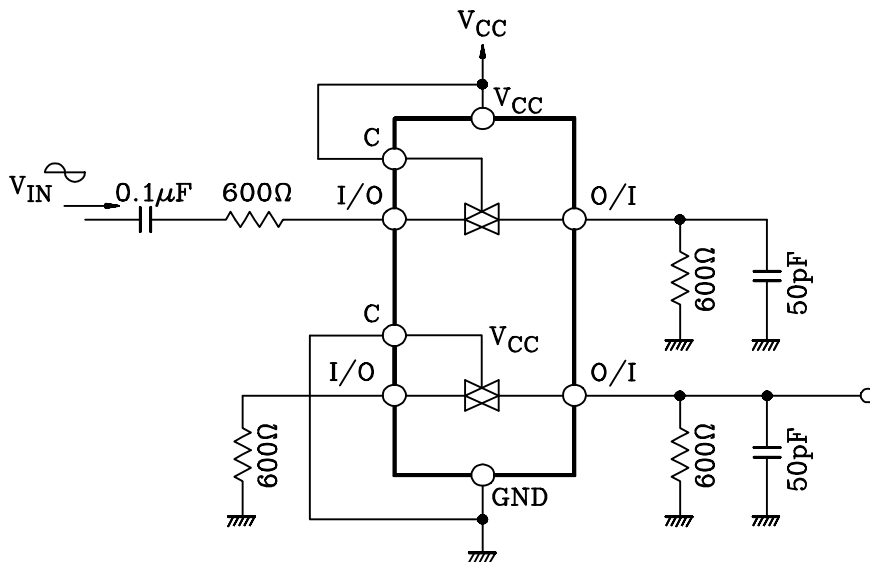


KIC7W53FK

4. Clos, C_{I/O}



5. CROSS TALK (BETWEEN ANY TWO SWITCHES)



6. FREQUENCY RESPONSE (SWITCH ON)

