



# VTM-1 series

## Specification Grade, On-Delay Timing Module

- On-delay timing mode
- Timing from 1 to 1000 sec.
- 1A solid state SPST-NO output
- 0.25" (6.35) quick connect terminals
- Universal voltage: 24 to 240VAC/VDC
- Rated to 10 million operations

File E60363

File LR51332

Users should thoroughly review the technical data before selecting a product part number. It is recommended that user also seek out the pertinent approvals files of the agencies/laboratories and review them to ensure the product meets the requirements for a given application.

### Timing Mode

On-Delay – VTM-1 in-line timing module is wired in series with the load circuit. Time delay is initiated when power is applied to the series network. Connecting a resistor across the center terminals provides tamper-proof setting of time delay from 1-1000 sec.

### Timing Specifications

**Timing Ranges:** 1 to 1,000 sec.

**Timing Adjustment:** Time delay is set by connecting an appropriately rated resistor or potentiometer between the center two terminals. As supplied, the unit provides a nominal 1 second delay. Add 10k ohm of resistance for every additional second of delay required. For example: 5 seconds = 40k ohms; 10 seconds = 90k ohms.

**Accuracy: Repeat Accuracy:** ±2%

**Reset Time:** 100 ms, max., in the timing or time-out condition.

### Output Switch Data

**Arrangement:** 1 Form A (SPST-NO).

**Rating:** 5A, inductive, at nominal operating voltage.

**Inrush:** Not to exceed 10A for one cycle.

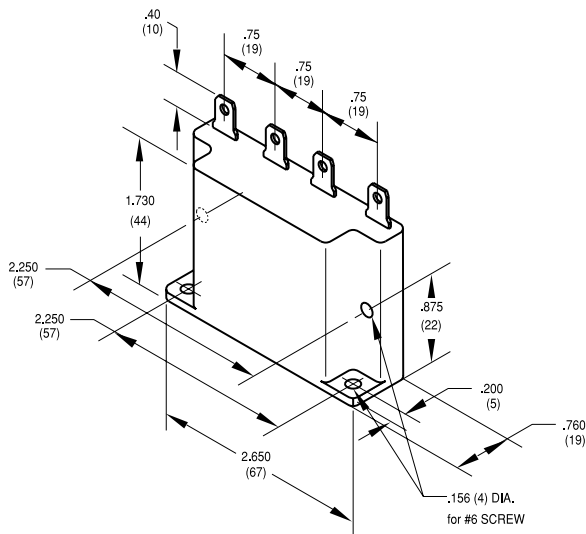
**Max. Leakage Current:** 4mA rms.

**Expected Electrical Life:** 10,000,000 operations at rated load.

### Initial Dielectric Strength

Between Active Terminals and Outside of Case: 1,480VAC for one min.

### Outline Dimensions



### Input Data @ 25°C

**Operating Voltage:** Universal: 24-240VAC/VDC (19-288VAC/VDC).

**Current:** 2mA (max.) required to operate timer regardless of output state.

**Power Requirement:** 3W, max.

**Transient Protection:** MOV across input 2,000V for 11µs on line side of load.

### Environmental Data

**Temperature Range: Storage:** -40°C to +85°C.

**Operating:** -30°C to +65°C.

### Mechanical Data

**Mounting:** Screw mount in horizontal or vertical position through built-in mounting ears.

**Termination:** 0.250 in (6.35) quick connect terminals for input line, load output and timing resistor connection.

**Weight:** 3 oz. (84g) approximately.

### Ordering Information

Part Number	Mode	Input Voltage
VTM-1	On-Delay	24-240VAC or VDC

### Authorized distributors are likely to stock the following:

VTM-1

### Wiring Diagram

#### Notes:

1. Do not operate timer without connecting load in series with line voltage.
2. For a time delay of 1 second, connect a jumper across the center two terminals.

