

PHASE NOISE (1 Hz BW, typical)



£(f) (dBc/Hz)

OFFSET (Hz)

FEATURES
<ul style="list-style-type: none"> • Frequency Range: 4198 - 4261 MHz • Step Size: 250 KHz • PLL-24H - Style Package
APPLICATIONS
<ul style="list-style-type: none"> • Microwave Radios • Satellite Communications • Direct Broadcast

PERFORMANCE SPECIFICATIONS	VALUE	UNITS
Frequency Range	4198 - 4261	MHz
Phase Noise @ 10 kHz offset (1 Hz BW, typ.)	-96	dBc/Hz
Harmonic Suppression (2nd, typ.)	-12	dBc
Sideband Spurs (typ.)	-70	dBc
Power Output	0±3	dBm
Load Impedance	50	Ω
Step Size	250	kHz
Charge Pump Output Current	2500	μA
Switching Speed (typ., adjacent channel)	2	mSec
Startup Lock Time (typ.)	2	mSec
Operating Temperature Range	-40 to 85	°C
Package Style	PLL-24H	
POWER SUPPLY REQUIREMENTS		
Supply Voltage (Vcc, nom.)	5	Vdc
Supply Current (Icc, typ.)	26	mA

All specifications are typical unless otherwise noted and subject to change without notice.

APPLICATION NOTES
<ul style="list-style-type: none"> • AN-107 : How to Solder Z-COMM VCOs / PLLs • AN-202 : PLL Functional Description

NOTES:
 Reference Oscillator Signal: 5 MHz f_{osc} <math><100\text{ MHz}</math>
 Frequency Synthesizer: Analog Devices - ADF4113

VCO TUNING CURVE, typ.

FREQUENCY (MHz)

- 85 °C
- 25 °C
- -40 °C

TUNING VOLTAGE (Vdc)

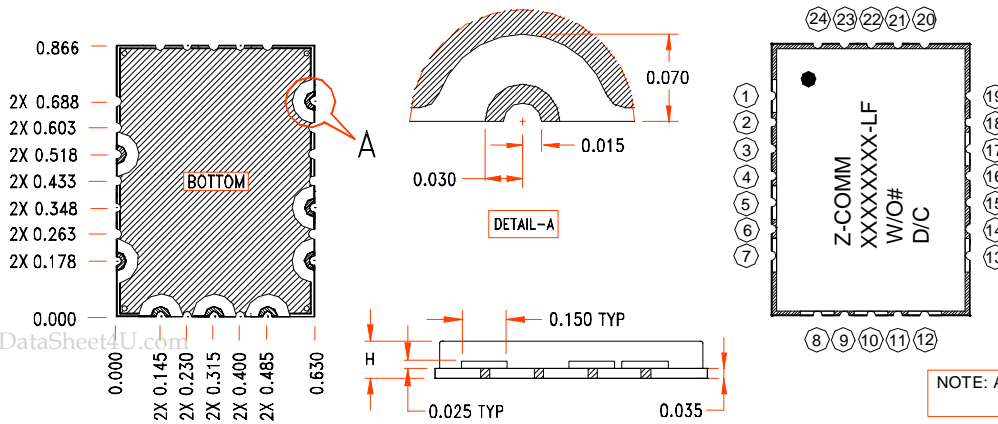
VCO POWER CURVE, typ.

OUTPUT POWER (dBm)

- 25 °C

FREQUENCY (MHz)

PHYSICAL DIMENSIONS



PIN CONFIGURATION

1	RF OUT
5	REF IN
7	CLOCK
8	DATA
10	LOAD ENABLE
12	LOCK DETECT
13	Vcc
17	N/C
REST	GROUND

PACKAGE	H
PLL-24H	0.220
PLL-24	0.140

NOTE: ALL DIMENSIONS ARE IN INCHES
TOL: XXX: +/- 0.010