



Monolithic ICs

T-77-17



T-77-21

● Video Signal Processing (continued)

☆ Under Development

Type	Function	Package		Features	Reference Catalog
		Configuration	No. of pins		
BA7253S	Video signal 3CH, PRE/REC amplifier	DIPS	22	Playback/recording amplifier for 3 heads. Has all necessary head switches built-in. Constant voltage recording amplifier. Built-in AGC circuit.	No.3121
BA7254S	Video signal 4CH, PRE/REC amplifier	DIPS	32	Playback/recording amplifier for 4 heads; all necessary switches built-in; low-current type recording amplifier, built-in AGC circuit.	No.3121
BA7244BS	Video signal 4CH, PRE/REC amplifier	DIPS	32	9V recording power supply version of the BA7254S.	No.3121
BA7274S	Video signal 4CH, PRE/REC amplifier	DIPS	32	For 4-head VTRs; Compatible with autotracking.	No.2937
New BA7277S	Video signal 4CH, PRE/REC amplifier	DIPS	32	Internal envelope detector for auto tracking (sensitivity not equal to BA7274S); $V_{CC}=12V$	—
New BA7279S	Video signal 4CH, PRE/REC amplifier	DIPS	32	Internal envelope detector for auto tracking (sensitivity not equal to BA7274S); $V_{CC}=9V$	—
BA7230LS	RGB encoder for the NTSC	LFS	24	Provided with the superimposing function. Capable of outputting video picture signals and personal computer picture signal optionally. Compact (LS 24pin) and less external components.	No.3121
BA7023L/BA7023F	0.5H skew detection	LF/MF	16/18	Includes V signal rejection circuit. Equipped with sample hold PLL and skew detection circuit using phase comparative method. Built-in sync separator resists level fluctuation and noise. Detection output using positive-negative logic.	No.3121
BA7255BS/BA7255CS	Luminance signal processor	DIPS	32	1-chip luminance signal processor IC. Record and playback processing of the VTR luminance signal is performed on a single chip so space is saved, reliability increased and cost reduced. Compatible with CCD.	No.2962
BA7258AS/BA7258AK	Luminance signal processor	DIPS/QFP	32/44	Compatible PAL for the BA7255CS	No.3121
BA7280AS	Luminance signal processor	DIPS	32	Compatible with copy card for the BA7255CS.	No.2936
BA7281BS	Luminance signal processor	DIPS	32	S-VHS compatible version of the BA7280AS.	—
BA7288K	Luminance signal processor	QFP	44	Compatible with camcorders; Y/C separate inputs; PAL skew compensation input.	No.3121
BA7266S/BA7266F	Color signal processor for APC	DIPS/MF	22	2/4/6H mode switch. Necessary functions in a single chip, so few external parts.	No.3121
BA7267S/BA7267F	Color signal processor for APC	DIPS/MF	22	Artificial NTSC/PAL/artificial SECAM mode switch. Necessary functions in a single chip, so few external parts.	No.3121
BU2763S/BU2763F	Color signal processor for AFC	DIPS/MF	18	Applicable to NTSC/PAL/artificial SECAM systems. Digital PLL for phase locked horizontal periodic pulse. Facilitates reduction of parts.	No.3121
BU2762AL	Blue-back signal generating IC	LF	18	Generates several color signals and test patterns; Built-in analog switch for switching external VTR signals.	No.2962
BU2728K	Title memory controller	QFP	44	Horizontal and vertical framing; NTSC/PAL/SECAM compatibility; NTSC high-resolution mode available	—
BA7044N	Test pattern generator with V-sync	SIP	5	Requires no adjustment; Few external parts.	No.3121

● Video Camera

BA7115L	Deflection of video camera EVF	LF	18	Built-in horizontal AFC, vertical drive and inverted 6dB video amplifier. Few external components.	—
BA7122L/BA7122F	FPN elimination circuit for MOS camera	LF/MF	16	The combined emphasis device and sampling integrator allows the formation of FPN circuit with ease.	—
BU2701F	PAL/SECAM color camera synchronous signal generator (SSG)	MF	28	Operates at 5V single power supply. Capable of save space because of MF package.	—
BU2705F	PAL/SECAM color camera synchronous signal generator (SSG)	MF	28	A version of the BU2701F with modified foil pattern	—
BA7125L	Deflection of video camera EVF	LF	18	Built-in horizontal AFC, vertical drive and inverted 6dB video amplifier. Few external components.	No.3121
BA7135F	Deflection of video camera EVF	MF	18	Built-in horizontal AFC, vertical drive and inverted 6dB video amplifier. Few external components. Operating voltage: 5V	—
☆ BA7147F	Deflection of video camera EVF	MF	16	Built-in horizontal AFC, vertical drive, and inverted 6dB video amplifier; Few external components; Operating voltage, 5V; With HD/VD terminals.	—

● Servosystem Components

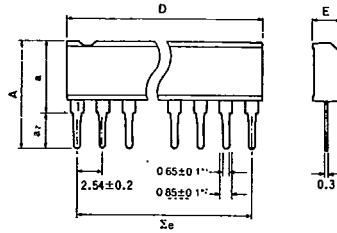
Capstan/Drum Servo

BA6301	FG system speed servo control	DIP	16	Capable of speed control according to FG program counter.	No.3121
BA6302A/BA6302AF	FG system speed servo control	DIP/MF	16	An external CR time constant is usable to set changing the F/V conversion. High stability. Built-in differential amplifier for setting F/V conversion ratio. FG waveform rectified output.	No.3121



Dimensions (Unless otherwise specified, dimensions are shown in Typ. values.)

SIP

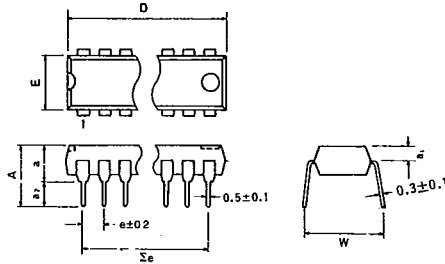


• SIP Dimensions (Unit: mm)

Package	A	a	a ₂	D	Σe	E
SIP 5	9.7	6.2	3.5	12.0	10.16	2.4
SIP 7	9.7	6.2	3.5	17.0	15.24	2.8
SIP 8	10.5	7.0	3.5	19.5	17.78	2.8
SIP 9	10.5	7.0	3.5	22.0	20.32	2.8
SIP 10	10.5	7.0	3.5	25.2	22.86	2.8

*1 SIP 10pin: 0.6 *2 SIP 10pin: 0.8

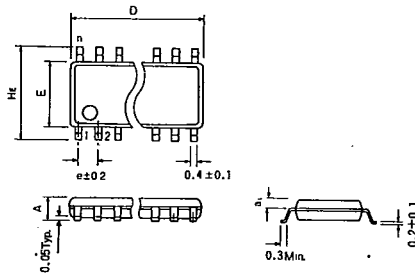
DIP/DIPS



• DIP Dimensions (Unit: mm)

Package	A	a	a ₁	a ₂	D	e	Σe	E	W
DIP 8	6.8	3.6	1.1	3.2	9.3	2.54	7.62	6.5	8.8
DIP 14	6.94	3.65	1.65	3.29	19.4	2.54	15.24	6.5	8.8
DIP 16	6.94	3.65	1.65	3.29	19.4	2.54	17.78	6.5	8.8
DIP 18	6.94	3.65	1.65	3.29	22.9	2.54	20.32	6.5	8.8
DIP 20	7.09	3.65	1.65	3.44	26.3	2.54	22.86	6.5	8.8
DIP 22	7.09	3.65	1.65	3.44	26.3	2.54	25.40	6.5	8.8
DIP 24	7.51	4.22	1.8	3.29	32.0	2.54	27.94	13.8	16.5
DIP 28	7.51	4.22	1.8	3.29	37.1	2.54	33.02	13.8	16.5
DIP 40	7.7	4.5	1.8	3.2	52.3	2.54	48.26	13.8	16.5
DIPS 18	7.35	3.65	1.65	3.7	19.4	1.778	14.224	6.5	8.8
DIPS 22	7.35	3.65	1.65	3.7	19.4	1.778	17.78	6.5	8.8
DIPS 24	7.4	4.0	1.7	3.4	22.8	1.778	19.558	6.5	8.8
DIPS 30	7.9	4.7	1.7	3.2	28.0	1.778	24.892	8.4	11.4
DIPS 32	7.9	4.7	1.7	3.2	28.0	1.778	26.67	8.4	11.4
DIPS 42	7.7	4.5	1.8	3.2	37.1	1.778	35.56	13.8	16.5

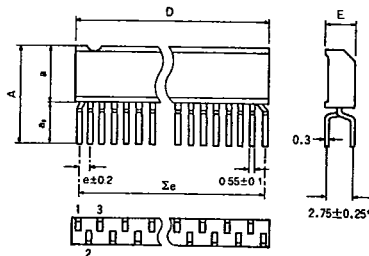
MF/MFS/MFP



• MF Dimensions (Unit: mm)

Package	A	a ₁	D	H _e	e	E
MF 8	1.5	0.65	5.0	6.2	1.27	4.4
MF 14	1.5	0.65	8.7	6.2	1.27	4.4
MF 16	1.5	0.65	10.0	6.2	1.27	4.4
MF 18	1.8	0.8	11.2	7.8	1.27	5.4
MF 20	1.8	0.8	12.5	7.8	1.27	5.4
MF 22	1.8	0.8	13.7	7.8	1.27	5.4
MF 24	1.8	0.8	15.0	7.8	1.27	5.4
MF 28	2.2	1.0	18.5	9.9	1.27	7.5
MFS 16	1.5	0.65	6.6	6.2	0.8	4.4
MFS 20	1.8	0.8	8.7	7.8	0.8	5.4
MFS 24	1.8	0.8	10.0	7.8	0.8	5.4
MFP 24	1.9	0.8	13.7	7.8	0.8	5.4
MFP 28	2.2	0.95	18.5	9.9	0.8	7.5

LF/LFS



• LF Dimensions (Unit: mm)

Package	A	a	a ₂	D	Σe	e	E
LF 9	9.8	5.0	4.8	12.0	10.16	1.27	2.4
LF 12	9.8	5.0	4.8	17.0	13.97	1.27	2.8
LF 16	9.9	5.8	4.1	19.5	19.05	1.27	2.8
LF 18	9.9	5.8	4.1	22.0	21.59	1.27	2.8
LFS 24	10.0	5.8	4.2	22.0	20.447	0.889	2.8

*LFS 24: 2.54±0.25

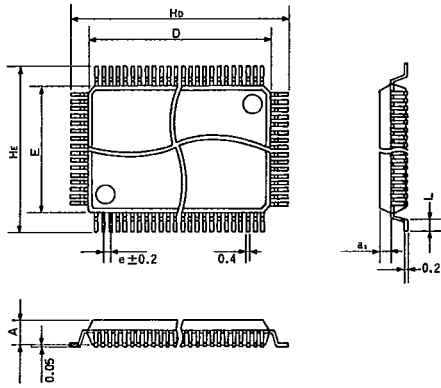


Monolithic ICs



T-90-20

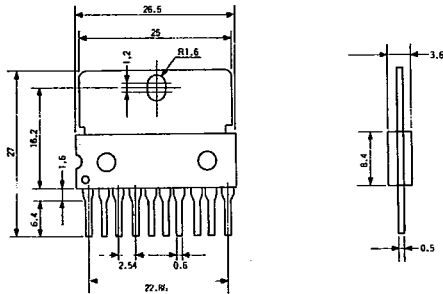
QFP/QFPS



• QFP Dimensions (Unit: mm)

Package	A	a_1	D	e	E	H_E	H_D	L
QFP 32	1.45	0.65	7.0	0.8	7.0	9.0	9.0	0.4
QFP 44	2.15	1.0	10.0	0.8	10.0	14.0	14.0	1.2
QFP 64	2.15	1.0	20.0	1.0	14.0	18.0	24.0	1.2
QFP 80	2.7	1.275	20.0	0.8	14.0	18.0	24.0	1.2
QFPS 56	2.15	1.0	10.0	0.65	10.0	12.4	12.4	0.5
QFPS 80	2.7	1.275	14.0	0.65	14.0	16.4	16.4	0.5
QFPS 100	2.7	1.275	20.0	0.65	14.0	18.0	24.0	1.2

SIP-P 10 pin



SIP-P 12 pin

