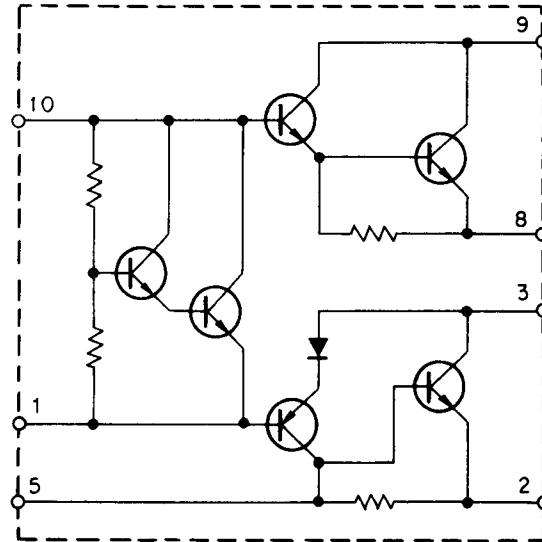


APPLICATION	25W MIN. AF POWER AMPLIFIER OUTPUT STAGE (D. P. P.)	NAME	STK-0029
MODEL	SX-580	TYPE	HYBRID LINEAR IC

EQUIVALENT CIRCUIT



PIN FUNCTION

Pin No.	Function
1	Input (-)
2	Negative power supply
3	Output
4	NC
5	
6	NC
7	
8	Output
9	Positive power supply
10	Input (+)

SP

STK