

**PLEASE CHECK WWW.MOLEX.COM FOR LATEST PART INFORMATION**

**Part Number:** **0190220009**  
**Status:** **Active**  
**Description:** Krimptite™ Quick Disconnect, Male, for 18-22 (0.80-0.35) Wire, Mylar Tape, Tab 4.75mm (.187") x 0.51mm (.020")

**Documents:**

[Drawing \(PDF\)](#) [RoHS Certificate of Compliance \(PDF\)](#)

**Agency Certification**

CSA LR18689  
 UL E79133

**General**

Product Family Quick Disconnects  
 Series 19022  
 Comments Economical  
 Crimp Quality Equipment Yes  
 Product Name Krimptite™  
 Type Quick Disconnect

**Physical**

Barrel Type Closed  
 Gender Male  
 Glow-Wire Compliant No  
 Insulation None  
 Lock to Mating Part None  
 Material - Metal Brass  
 Orientation Straight  
 Packaging Type Adhesive Tape on Reel  
 Polarized to Mating Part No  
 Tab Thickness 0.51mm (.020")  
 Tab Width 4.75mm (.187")  
 Temperature Range - Operating Per Wire Specification  
 Wire Size AWG 18, 20, 22  
 Wire Size mm² 0.35 - 0.80

**Electrical**

Voltage - Maximum Per Wire Specification

**Material Info**

Old Part Number AMCT-17T

**Reference - Drawing Numbers**

Sales Drawing SD-19022-017

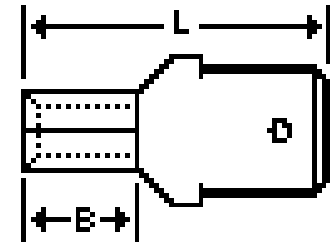


image - Reference only

—Series

**EU RoHS**

**ELV and RoHS Compliant**

**REACH SVHC**

Not Reviewed

**Halogen-Free**

**Status**

**Not Reviewed**

**China RoHS**



**Need more information on product environmental compliance?**

Email [productcompliance@molex.com](mailto:productcompliance@molex.com)  
 For a multiple part number RoHS Certificate of Compliance, [click here](#)

Please visit the [Contact Us](#) section for any non-product compliance questions.

**Search Parts in this Series**

19022Series

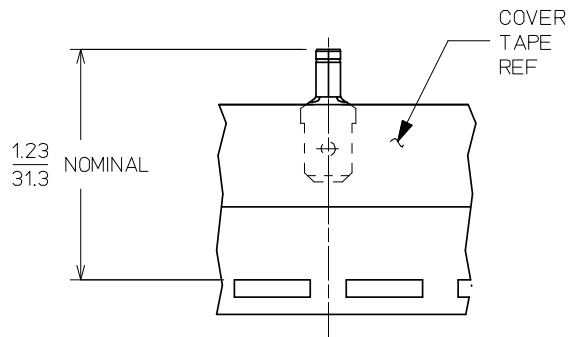
**Application Tooling | FAQ**

*Tooling specifications and manuals are found by selecting the products below. Crimp Height Specifications are then contained in the Application Tooling Specification document.*

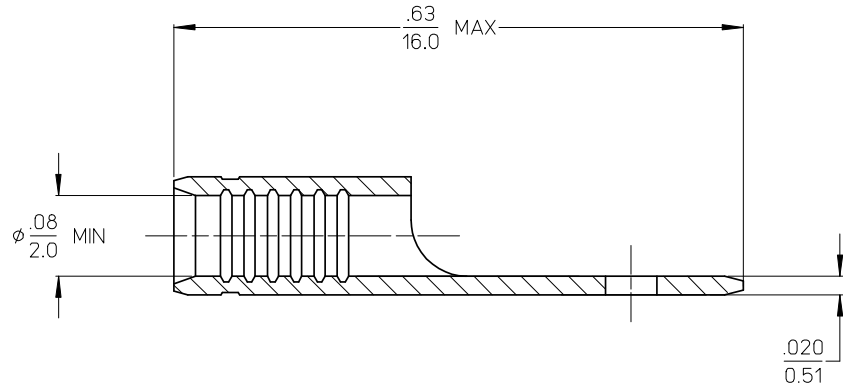
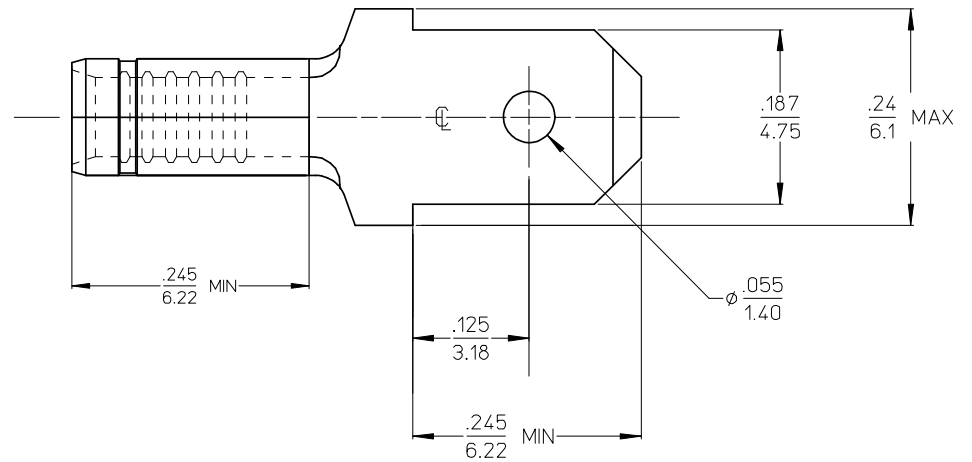
**Global**

Description	Product #
ATP Perishable Tool Kit used in ATP presses that process product on tape	<u>0190270071</u>

	13	12	11	10	9	8	7	6	5	4	3	2	1
	MATERIAL NUMBER	ENGINEERING NUMBER	FINISH	CARRIER									
J	190220006	AMCT-17	ZINC CHROMATE PLATING	LOOSE PIECE									
	190220009	AMCT-17T	ZINC CHROMATE PLATING	TAPE MOUNTED									



190220009 (AMCT-17T)  
PARTS ON TAPE



- (A) NOTES:
1. MATERIAL: BRASS
  2. FINISH: SEE CHART
  3. WIRE SIZE: 22-18 AWG (0.38-0.96 mm<sup>2</sup>)
  4. TAB DIMENSIONS CONFORM TO UL310 SPECIFICATIONS.
  5. PART IS ROHS COMPLIANT.

CHANGED MATERIAL EC NO: ETC2007-0081 DRAWN:EHILE 2008/01/28 CHKD:JMACEIL 2008/01/28 APPR:JMACEIL 2008/02/13	QUALITY SYMBOLS ▽=0 ▽=0	GENERAL TOLERANCES (UNLESS SPECIFIED)		DIMENSION STYLE IN/MM	SCALE 10:1	DESIGN UNITS INCH	THIRD ANGLE PROJECTION
		4 PLACES ±--- ±---	3 PLACES ±--- ±.005	2 PLACES ±0.13 ±.01	1 PLACE ±0.25 ±---	ANGULAR ±---°	DRAWN BY DATE GZ 1985/02/20
DRAFT WHERE APPLICABLE MUST REMAIN WITHIN DIMENSIONS		MATERIAL NO. SEE CHART			TITLE MALE CONNECTOR TERMINAL LONG BARREL .187 X .020 22-18 AWG		
REV A		SIZE C			MOLEX INCORPORATED		
		DOCUMENT NO. SD-19022-017			SHEET NO. 1 OF 1		
THIS DRAWING CONTAINS INFORMATION THAT IS PROPRIETARY TO MOLEX INCORPORATED AND SHOULD NOT BE USED WITHOUT WRITTEN PERMISSION							