

PLEASE CHECK WWW.MOLEX.COM FOR LATEST PART INFORMATION

Part Number: [0876822003](#)
Status: **Active**
Overview: [extreme_powerplus_ssi](#)
Description: 6.35mm (.250") Pitch EXTreme PowerPlus™ Header, All Power, Press fit, Right Angle, 4 Circuits, Lead-free

Documents:

[3D Model](#) [Product Specification PS-87680-006 \(PDF\)](#)
[Drawing \(PDF\)](#) [RoHS Certificate of Compliance \(PDF\)](#)

Agency Certification

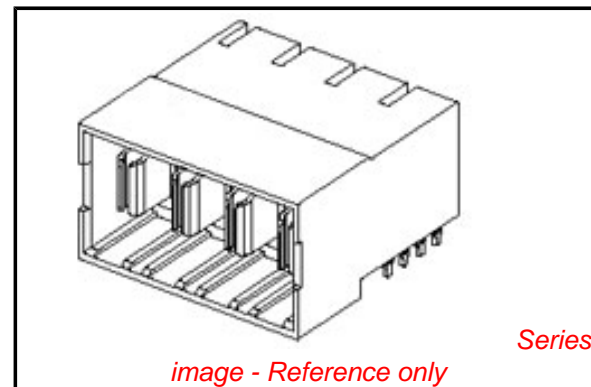
CSA LR19980

General

Product Family PCB Headers
 Series [87682](#)
 Application Board-to-Board
 Overview [extreme_powerplus_ssi](#)
 Product Name EXTreme PowerPlus™

Physical

Breakaway No
 Circuits (Loaded) 4
 Circuits (maximum) 4
 Circuits Detail Power 4
 Color - Resin Black
 Durability (mating cycles max) 100
 First Mate / Last Break No
 Flammability 94V-0
 Glow-Wire Compliant No
 Guide to Mating Part No
 Keying to Mating Part None
 Lock to Mating Part Yes
 Material - Metal Copper Alloy
 Material - Plating Mating Gold
 Material - Plating Termination Tin
 Material - Resin High Temperature Thermoplastic
 Number of Rows 1
 Orientation Right Angle
 PC Tail Length (in) 0.135 In
 PC Tail Length (mm) 3.43 mm
 PCB Locator Yes
 PCB Retention Yes
 PCB Thickness Recommended (in) 0.062 In
 PCB Thickness Recommended (mm) 1.60 mm
 Packaging Type Tray
 Pitch - Mating Interface (in) 0.250 In
 Pitch - Mating Interface (mm) 6.35 mm
 Plating min: Mating (µin) 30
 Plating min: Mating (µm) 0.76
 Plating min: Termination (µin) 101.6
 Plating min: Termination (µm) 2.54
 Polarized to Mating Part Yes
 Polarized to PCB No
 Shrouded Fully
 Stackable No



EU RoHS

ELV and RoHS Compliant
REACH SVHC
 Not Reviewed
Halogen-Free Status

China RoHS



Need more information on product environmental compliance?

Email productcompliance@molex.com
 For a multiple part number RoHS Certificate of Compliance, [click here](#)

Please visit the [Contact Us](#) section for any non-product compliance questions.

Search Parts in this Series

[87682Series](#)

Mates With

[87691](#) EXTreme PowerPlus™ all Power Receptacle

Temperature Range - Operating -20°C to +70°C
Termination Interface: Style Through Hole - Compliant Pin

Electrical

Current - Maximum per Contact 30A
Voltage - Maximum 50V DC

Material Info

Reference - Drawing Numbers

Application Specification AS-87631-018, AS-87682-009
Product Specification PS-87680-006
Sales Drawing SD-87682-011

This document was generated on 05/25/2010

PLEASE CHECK WWW.MOLEX.COM FOR LATEST PART INFORMATION

10 9 8 7 6 5 4 3 2 1

F

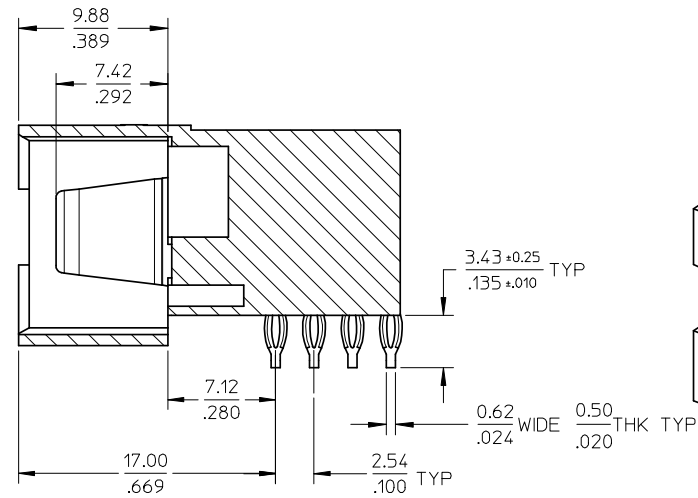
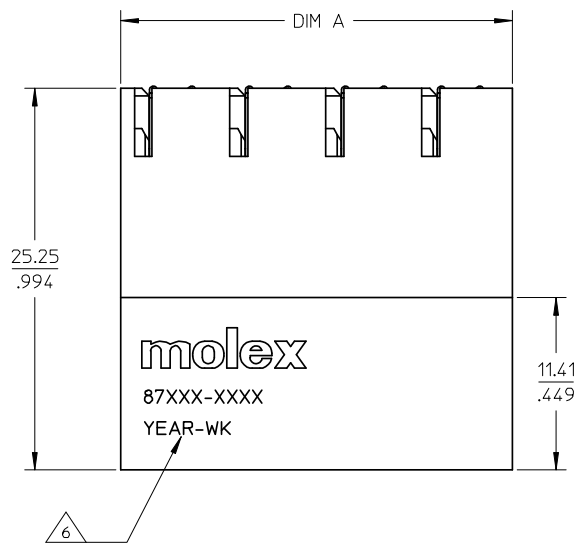
E

D

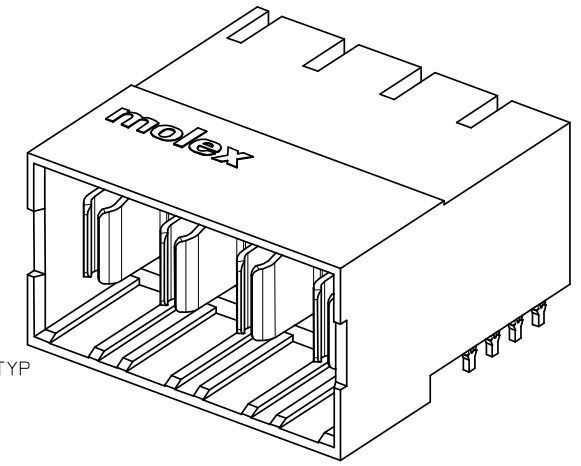
C

B

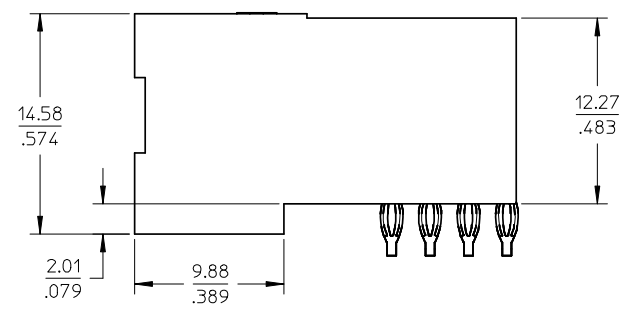
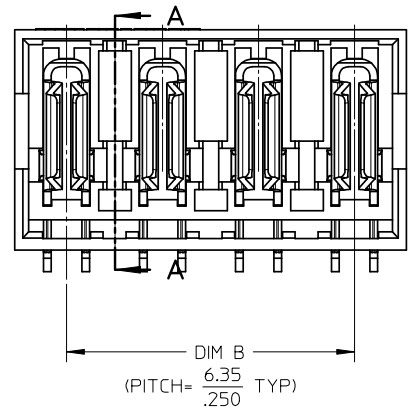
A



SECTION A-A



ISOMETRIC VIEW



9 8 7 6 5 4 3 2 1

REVISED OSP HOLE SIZE EC NO: S2008-0551 DRWN:SKANG 2007/12/19 CHYK:ATSEE 2007/12/19 APPR:MLONG 2007/12/19	QUALITY SYMBOLS	GENERAL TOLERANCES (UNLESS SPECIFIED)	DIMENSION STYLE	SCALE	DESIGN UNITS	THIRD ANGLE PROJECTION
	▼=0 Ⓢ=0	mm INCH 4 PLACES ± --- ± --- 3 PLACES ± --- ± .010 2 PLACES ± 0.25 ± --- 1 PLACE ± --- ± --- ANGULAR ± 3 °	MM/IN	NTS	METRIC	
	DESCRIPTION	DRAFT WHERE APPLICABLE MUST REMAIN WITHIN DIMENSIONS	DRAWN BY: BHOW DATE: 2002/11/27 CHECKED BY: PTLIM DATE: 2002/12/03 APPROVED BY: SKTOH DATE: 2002/12/03	TITLE	HEADER, POWER CONN ALL BLADES POWER CONFIG. PRESS-FIT, R/A	
	REV		SEE TABLE	MATERIAL NO.	DOCUMENT NO.	SHEET NO.

THIS DRAWING CONTAINS INFORMATION THAT IS PROPRIETARY TO MOLEX INCORPORATED AND SHOULD NOT BE USED WITHOUT WRITTEN PERMISSION



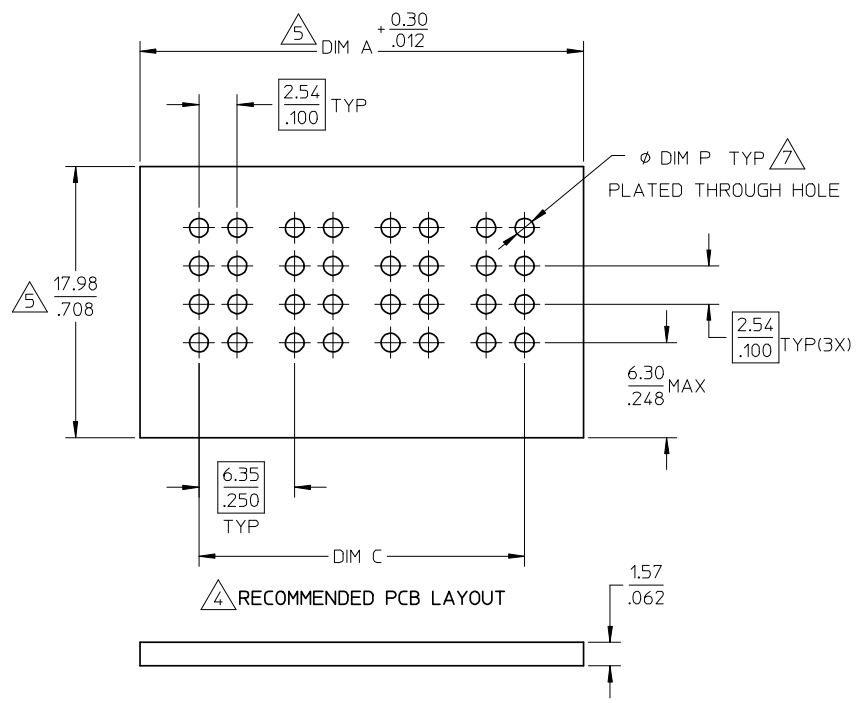
MOLEX INCORPORATED

SD-87682-011

1 OF 2

10	9	8	7	6	5	4	3	2	1	
PART NUMBER	NO OF POWER PINS	DIM A	DIM B	DIM C	PACKAGING	PLATING OPTION (SOLDERTAIL)		△7 TYPE OF PCB		
87682-0001	2	$\frac{13.20}{.520}$	$\frac{6.35}{.250}$	$\frac{8.89}{.350}$	TRAY	TIN/LEAD		TIN/LEAD OR TIN	OSP	
87682-0003	4	$\frac{25.90}{1.020}$	$\frac{19.05}{.750}$	$\frac{21.59}{.850}$	TRAY			DRILLED HOLE SIZE	1.40mm/.055in	1.33mm/.052in
87682-2001	2	$\frac{13.20}{.520}$	$\frac{6.35}{.250}$	$\frac{8.89}{.350}$	TRAY	TIN		PLATING THICKNESS	0.007mm/.0003in MIN OVER 0.03mm/.001in TO 0.08mm/.003in COPPER	0.25µm/.001in MIN COPPER
87682-2003	4	$\frac{25.90}{1.020}$	$\frac{19.05}{.750}$	$\frac{21.59}{.850}$	TRAY			PLATED HOLE SIZE △7 (DIM P)	$\frac{1.25 \pm 0.08}{.049 \pm .003}$	$\frac{1.25 + 0.025 / - 0.050}{.049 + .001 / - .002}$

△7 TYPE OF PCB	
TIN/LEAD OR TIN	OSP
DRILLED HOLE SIZE	1.40mm/.055in
PLATING THICKNESS	0.007mm/.0003in MIN OVER 0.03mm/.001in TO 0.08mm/.003in COPPER
PLATED HOLE SIZE △7 (DIM P)	$\frac{1.25 \pm 0.08}{.049 \pm .003}$



- NOTES:
- MATERIALS: HOUSING - HIGH TEMPERATURE, THERMO-PLASTIC
GLASS FILLED, UL94V-0, COLOUR: BLACK
POWER BLADES - COPPER ALLOY
 - FINISHES: POWER - SELECTIVE GOLD IN CONTACT AREA
THICKNESS=0.76 µm /30 µm MINIMUM
SELECTIVE TIN/LEAD OR TIN IN THE PC TAIL AREA
THICKNESS= 2.54 µm /100 µm MINIMUM WITH
1.27µm MINIMUM NICKEL UNDERPLATE OVERALL.
 - PRODUCT SPECIFICATION: PS-87680-006.
APPLICATION SPECIFICATION: AS-87682-009.

- △4 SEE SHEET 2 FOR RECOMMENDED PCB LAYOUT.
- △5 COMPONENT STAY AWAY ZONE FROM CONNECTOR.
- △6 MANUFACTURER LOGO, PART NUMBER AND YEAR-WK CODE.
- △7 REFER TO RECOMMENDED PCB TABLE.

REVISED OSP HOLE SIZE EC NO: S2008-0551 DRWN:SKANG 2007/12/19 CHKD:ATSEE 2007/12/19 APPR:MLONG 2007/12/19	DESCRIPTION REV	QUALITY SYMBOLS	GENERAL TOLERANCES (UNLESS SPECIFIED)		DIMENSION STYLE		SCALE	DESIGN UNITS	THIRD ANGLE PROJECTION			
		▽=0 ∇=0	mm	INCH	MM/IN		NTS	METRIC				
			4 PLACES ± --- ± ---	3 PLACES ± --- ± .010	DRAWN BY	DATE	TITLE		MOLEX INCORPORATED HEADER, POWER CONN ALL BLADES POWER CONFIG. PRESS-FIT, R/A			
			2 PLACES ± 0.25 ± ---	1 PLACE ± --- ± ---	BHLOW	2002/11/27						
		ANGULAR ± 3 °	APPROVED BY	DATE								
			SKTOH	2002/12/03								
			DRAFT WHERE APPLICABLE MUST REMAIN WITHIN DIMENSIONS		MATERIAL NO.		DOCUMENT NO.		SHEET NO.			
					SEE TABLE		SD-87682-011		2 OF 2			
					SIZE							
					A3							
					THIS DRAWING CONTAINS INFORMATION THAT IS PROPRIETARY TO MOLEX INCORPORATED AND SHOULD NOT BE USED WITHOUT WRITTEN PERMISSION							