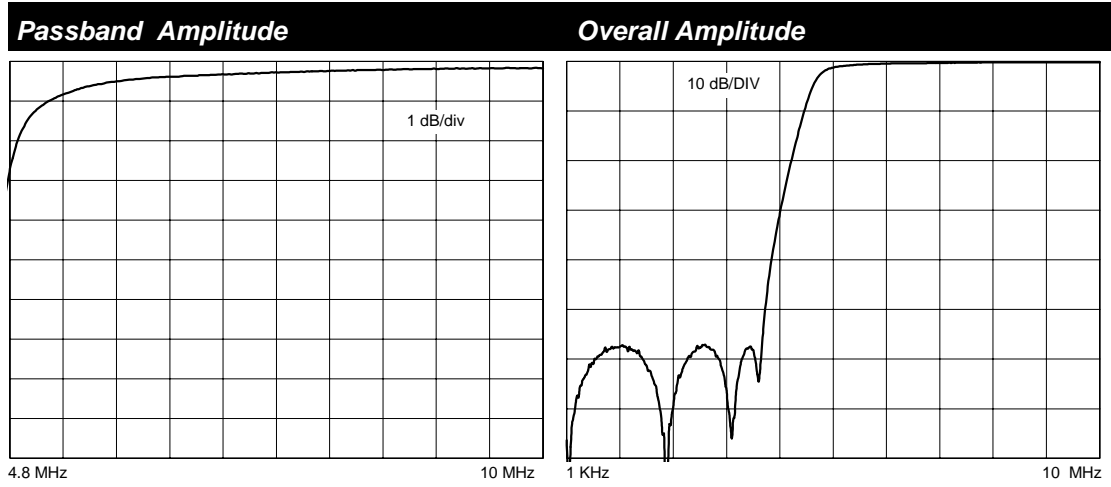
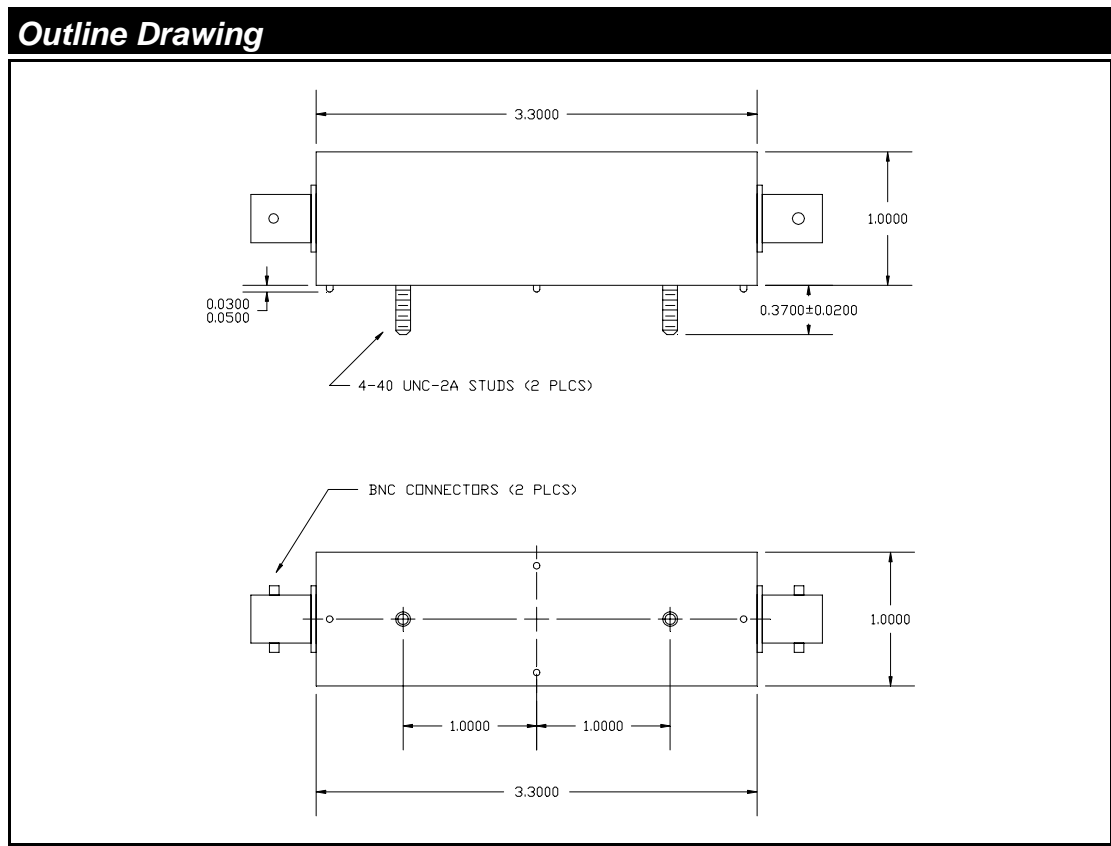


# Highpass Filter

KR Model 2281



<b>Specifications</b>	
<b>KR Part Number</b>	<b>2281</b>
<b>Filter Type</b>	<b>Highpass</b>
<b>dc to 3.58 MHz</b>	<b>&gt; 40 dB</b>
<b>4.8 MHz to 10 MHz</b>	<b>&lt; 3 dB</b>
<b>Source and Load Impedance</b>	<b>75 Ω</b>



**KR Electronics**  
[www.krfilters.com](http://www.krfilters.com)  
 91 Avenel Street  
 Avenel, NJ 07001  
 732-636-1900