

KEY FEATURES

- Open Frame Switching Power Supply
- Universal Input: 90-264 VAC
- Single Output
- 5 VDC to 24 VDC Output
- 3000 VAC Input to Output Isolation
- Ultra Compact Size: 4.1 x 2.05 x 1.2 Inches
- 2-Years Product Warranty



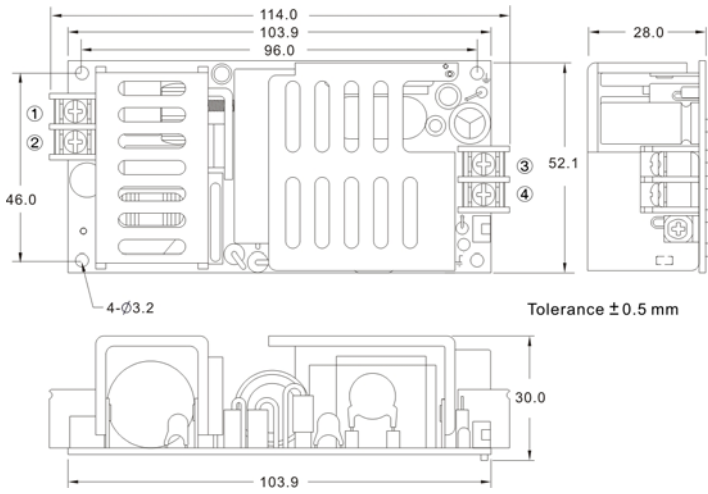
ELECTRICAL SPECIFICATIONS

Model No.	AQS750-5S	AQS750-12S	AQS750-15S	AQS750-24S	
Max Output Wattage (W)	50W	75W	75W	75W	
Input	Voltage				
	90-264 VAC or 120-370 VDC				
	Frequency (Hz)				
	47-63 Hz				
	Current (Full load)				
2 A max. (115 VAC) / 1 A max. (230 VAC)					
Inrush Current (<2ms)					
20 A max. (115 VAC) / 40 A max. (230 VAC)					
Leakage Current					
3.5 mA max.					
Output	Voltage (V.DC.)	5V	12V	15V	24V
	Voltage Accuracy	±2%			
	Current (mA) max	10,000	6,250	5,000	3,130
	Line Regulation (LL-HL) (typ.)	±1%			
	Load Regulation (5-100%) (typ.)	±1%			
	Minimum Load	1%			
	Maximum Capacitive Load	470-23,000µF depending on model			
	Ripple & Noise (Vp-p)	100 mV max.	150 mV max.	200 mV max.	300 mV max.
	Efficiency	73%	80%	80%	80%
	Hold-up Time	18 ms min.			
	Switching Frequency	133 kHz			
Protection	Over Power Protection	Auto recovery			
	Over Voltage Protection	Zener diode clamp			
	Short Circuit Protection	Auto recovery			
Isolation	Input-Output (V.AC)	3000V			
	Input-FG (V.AC)	1500V			
	Output-FG (V.AC)	500V			
Environment	Operating Temperature	-25°C...+70°C (with derating)			
	Storage Temperature	-40°C...+85°C			
	Temperature Coefficient	±0.02%/°C			
	Humidity	95% RH			
	MTBF	>50,000 h @ 25°C (MIL-HDBK-217F)			
	Vibration	10~500Hz, 5G 10min./1cycle, 60min. each along X, Y, Z axes.			
Physical	Dimension (L x W x H)	4.1 x 2.05 x 1.2 Inches (103.9 x 52.1 x 30.0 mm) Tolerance ±0.5 mm			
	Weight	195 g			
	Cooling Method	Free air convection			
Safety	Agency Approvals	CE, UL			
EMC	EMI (Conducted & Radiated Emission)	EN 55022 class B			
	EMS (Noise Immunity)	EN 55024			

All specifications valid at nominal input voltage, full load and +25°C after warm-up time unless otherwise stated.

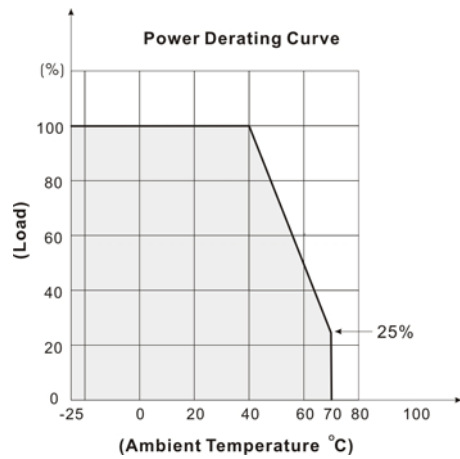
Measured with 0.1µ 50V // 47µ 50V Ceramic Cap. Cross to output

MECHANICAL DIMENSION (Top View)



PIN#	SINGLE
1	AC IN (N)
2	AC IN (L)
3	+DC OUT
4	-DC OUT

DERATING



BLOCK DIAGRAM

