

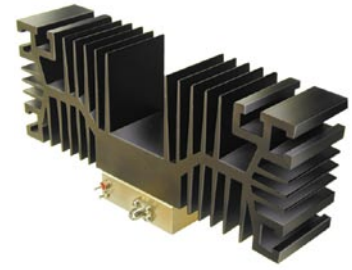
Coaxial Amplifier

ZVE-8G

50Ω Medium High Power 2000 to 8000 MHz

Features

- wideband, 2 to 8 GHz
- low noise, 4 dB typ.
- high IP3, +40 dBm typ.
- high dynamic range
- high gain, 30 dB min
- hermetic package, field replaceable connectors



Applications

- satellite communications
- line-of-sight transmitters
- signal generators
- spread-spectrum communication

CASE STYLE: BN333

| Connectors | Model | Price | Qty. |
|------------|--------|-----------|-------|
| SMA | ZVE-8G | \$1095.00 | (1-9) |

Electrical Specifications

| MODEL NO. | FREQUENCY (MHz) | | GAIN (dB) | | MAXIMUM POWER (dBm) | | DYNAMIC RANGE | | VSWR (:1) Max. | | DC POWER | |
|-----------|-----------------|-------|-----------|---------------|---------------------------|-------------------|---------------|----------------|----------------|-----|---------------|------------------|
| | f_L | f_U | Min. | Flatness Max. | Output (1 dB Compr. Min.) | Input (no damage) | NF (dB) Typ. | IP3 (dBm) Typ. | In | Out | Volt (V) Nom. | Current (A) Max. |
| ZVE-8G | 2000 | 8000 | 30 | ±2.0 | +30* | +20 | 4 | +40 | 2.0 | 2.0 | 12 | 1.2 |

*At 25°C; +30 dBm typ. at 54°C ambient.

Open load is not recommended, potentially can cause damage.

With no load derate max input power by 20 dB

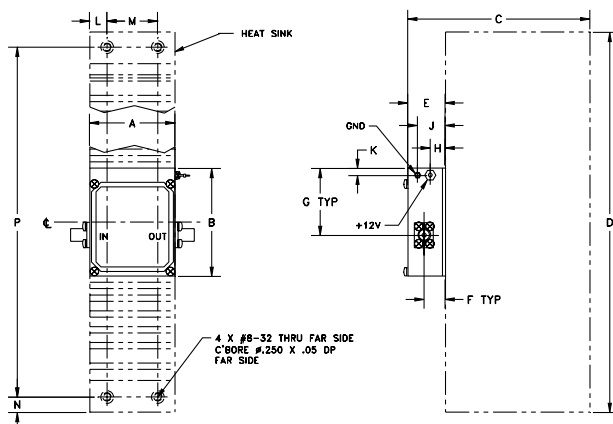
Maximum Ratings

Operating Temperature -55°C to 54°C

Storage Temperature -65°C to 150°C

DC Voltage +18V Max.

Outline Drawing



Outline Dimensions (inch/mm)

| | | | | | | | |
|-------|-------|-------|--------|-------|--------|-------|------|
| A | B | C | D | E | F | G | H |
| 1.680 | 2.130 | 3.6 | 7.5 | .75 | .42 | 1.32 | .30 |
| 42.67 | 54.10 | 91.44 | 190.50 | 19.05 | 10.67 | 33.53 | 7.62 |
| J | K | L | M | N | P | wt | |
| .55 | .33 | .34 | 1.000 | .30 | 6.900 | grams | |
| 13.97 | 8.38 | 8.64 | 25.40 | 7.62 | 175.26 | 755 | |



P.O. Box 350166, Brooklyn, New York 11235-0003 (718) 934-4500 Fax (718) 332-4661 For detailed performance specs & shopping online see Mini-Circuits web site



The Design Engineers Search Engine Provides ACTUAL Data Instantly From MINI-CIRCUITS At: www.minicircuits.com

RF/IF MICROWAVE COMPONENTS

| FREQUENCY (MHz) | GAIN (dB) | DIRECTIVITY (dB) | VSWR (:1) | | NOISE FIGURE (dB) | POUT at 1 dB COMPR. (dBm) |
|--------------------|--------------|---------------------|--------------|------|-------------------------|---------------------------------|
| | 12V | 12V | IN | OUT | 12V | 12V |
| 2000.00 | 35.04 | 13.10 | 1.28 | 1.36 | 5.23 | 31.11 |
| 2300.00 | 35.84 | 14.00 | 1.36 | 1.16 | 4.89 | 32.06 |
| 2600.00 | 36.02 | 21.60 | 1.41 | 1.13 | 4.44 | 32.27 |
| 3200.00 | 35.54 | 22.60 | 1.32 | 1.30 | 4.16 | 32.63 |
| 3500.00 | 35.33 | 43.10 | 1.27 | 1.30 | 4.11 | 32.74 |
| 3800.00 | 35.25 | 24.80 | 1.25 | 1.35 | 4.05 | 32.72 |
| 4100.00 | 35.30 | 21.00 | 1.21 | 1.44 | 4.05 | 32.13 |
| 4400.00 | 35.08 | 25.00 | 1.17 | 1.51 | 4.09 | 32.36 |
| 4700.00 | 34.96 | 17.30 | 1.13 | 1.52 | 4.10 | 32.37 |
| 5000.00 | 34.86 | 15.60 | 1.10 | 1.51 | 4.08 | 32.56 |
| 5300.00 | 34.78 | 17.40 | 1.09 | 1.48 | 4.15 | 31.74 |
| 5600.00 | 34.74 | 21.30 | 1.18 | 1.41 | 4.16 | 32.04 |
| 5900.00 | 34.85 | 19.00 | 1.29 | 1.28 | 4.23 | 32.01 |
| 6200.00 | 35.03 | 16.40 | 1.43 | 1.17 | 4.37 | 32.08 |
| 6500.00 | 35.07 | 25.70 | 1.47 | 1.19 | 4.33 | 31.98 |
| 6800.00 | 35.37 | 13.50 | 1.41 | 1.32 | 4.26 | 31.97 |
| 7100.00 | 35.63 | 18.80 | 1.40 | 1.42 | 4.34 | 31.50 |
| 7400.00 | 35.95 | 20.10 | 1.42 | 1.33 | 4.36 | 31.59 |
| 7700.00 | 35.84 | 11.80 | 1.42 | 1.29 | 4.22 | 31.48 |
| 8000.00 | 35.41 | 18.50 | 1.27 | 1.34 | 4.20 | 31.57 |

