

**VI TELEFILTER****Filter specification****TFS 110 B - 1/4****3Measurement condition**

Ambient temperature: 23°C  
 Input power level: 10dBm  
 Terminating impedances  
     for input: 890 Ω || - 5,6 pF  
     for output: 680 Ω || - 5,9 pF

**Characteristics**

## Remark:

Reference level for the relative attenuation  $a_{rel}$  of the TFS 110 B is the minimum of the pass band attenuation  $a_{min}$ . The minimum of the pass band attenuation  $a_{min}$  is defined as the insertion loss  $a_e$ . The reference frequency  $f_c$  is the arithmetic mean value of the upper and lower frequencies at the 30 dB filter attenuation level relative to the insertion loss  $a_e$ .

<b>D a t a</b>		<b>typ. value</b>	<b>tolerance / limit</b>
<b>Insertion loss</b> (reference level)	$a_e = a_{min}$	11,9 dB	14,0 dB
<b>Reference frequency</b>	$f_c$ (30 dB-BW)	110,592 MHz	± 60 kHz
<b>Pass band shape</b> (3 dB-BW)			Gaussian -
3 dB bandwidth	BW	965 kHz	-
10 dB bandwidth		1695 kHz	-
20 dB bandwidth		2255 kHz	-
30 dB bandwidth		2600 kHz	-
40 dB bandwidth		2840 kHz	-
<b>Relative attenuation</b>	$a_{rel}$		
$f_c + 475$ kHz		-	≤ 3 dB
$f_c - 425$ kHz		-	≤ 3 dB
$f_c ± 800$ kHz		-	≤ 10 dB
$f_c + 1200$ kHz		-	≥ 20 dB
$f_c - 1210$ kHz		-	≥ 20 dB
$f_c + 1375$ kHz		-	≥ 30 dB
$f_c - 1395$ kHz		-	≥ 30 dB
$f_c + 1500$ kHz ... $f_c + 10$ MHz		> 45 dB	≥ 40 dB
$f_c - 1535$ kHz ... $f_c - 10$ MHz		> 45 dB	≥ 40 dB
<b>Group delay</b>	GD		
Ripple $f_c ± 800$ kHz		150 ns	max 300 ns
<b>Temperature coefficient</b>	TC 1st order ) TC 2nd order )	+ 1,7 ppm/K - 0,06 ppm/K <sup>2</sup>	- -
<b>Frequency inversion temperature</b> $T_o$		+ 10 °C	-
<b>Operating temperature range</b>			- 10 °C ... + 60 °C
<b>Storage temperature range</b>			- 40 °C ... + 85 °C
<b>Input power level</b>		-	max. + 10 dBm
<b>Permissible DC voltage</b>	VDC	-	12 V
<b>Permissible AC voltage</b>	Vpp	-	10 V

Generated: \_\_\_\_\_

Checked / approved: \_\_\_\_\_

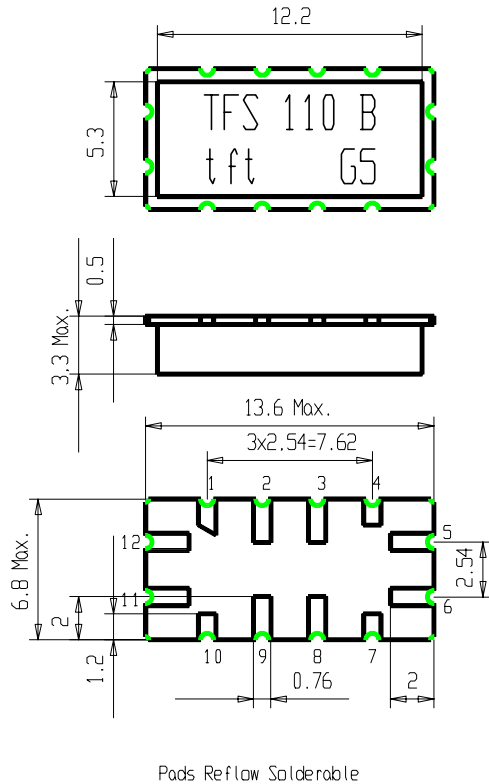
**VI TELEFILTER**  
 Potsdamer Straße 18  
 D 14 513 TELTOW / Germany  
 Tel: (+49) 3328 4784-52 / Fax: (+49) 3328 4784-30  
 E-Mail: tft@telefilter.com

**Vectron International Inc.**  
 267 Lowell Road  
 Hudson, NH 03051 / USA  
 Tel: (603) 598-0070 Fax: (603) 598-0075  
 E-Mail: vti@vtinh.com

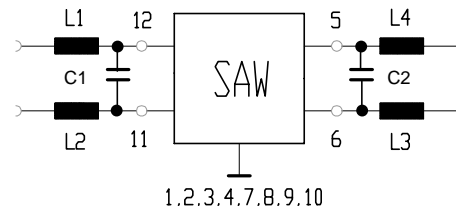
VI TELEFILTER reserves the right to make changes to the product(s) and/or information contained herein without notice. No liability is assumed as a result of their use or application. No rights under any patent accompany the sale of any such product(s) or information.

**VI TELEFILTER****Filter specification****TFS 110 B - 2/4****Construction, pin connection and 50 Ω - matching network**

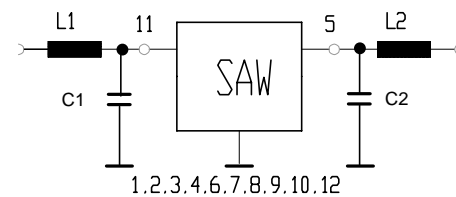
(All dimensions in mm)

**Balanced**

- |                         |                  |                  |
|-------------------------|------------------|------------------|
| 1 Not Connected Ground  | 2 Package Ground | 3 Package Ground |
| 4 Not Connected Ground  | 5 Sym.Output     | 6 Sym.Output     |
| 7 Not Connected Ground  | 8 Package Ground | 9 Package Ground |
| 10 Not Connected Ground | 11 Sym. Input    | 12 Sym. Input    |

**Unbalanced**

- |                         |                  |                    |
|-------------------------|------------------|--------------------|
| 1 Not Connected Ground  | 2 Package Ground | 3 Package Ground   |
| 4 Not Connected Ground  | 5 Output         | 6 Output RF-Return |
| 7 Not Connected Ground  | 8 Package Ground | 9 Package Ground   |
| 10 Not Connected Ground | 11 Input         | 12 Input RF-Return |



**VI TELEFILTER**  
**Potsdamer Straße 18**  
**D 14 513 TELTOW / Germany**  
**Tel: (+49) 3328 4784-52 / Fax: (+49) 3328 4784-30**  
**E-Mail: tft@telefilter.com**

**Vectron International Inc.**  
**267 Lowell Road**  
**Hudson, NH 03051 / USA**  
**Tel: (603) 598-0070 Fax: (603) 598-0075**  
**E-Mail: vti@vtinh.com**

VI TELEFILTER reserves the right to make changes to the product(s) and/or information contained herein without notice. No liability is assumed as a result of their use or application. No rights under any patent accompany the sale of any such product(s) or information.

**VI TELEFILTER****Filter specification****TFS 110 B - 3/4****Stability characteristics**

After the following tests the filter shall meet the whole specification:

1. Shock: 30g, 18 ms, half sine wave, 3 shocks each plane;  
DIN IEC 68 T2 - 27
2. Vibration: 10 Hz to 150 Hz, 0.35 mm amplitude, 5g; 2 hours for 3 planes;  
DIN IEC 68 T2 - 6
3. Damp heat:  
(steady state) 90 % to 95 % rel. humidity, 40 °C, 10 days;  
DIN IEC 68 - 2 - 3
4. Resistance to  
solder heat (reflow): max. 2 times reflow process;  
for temperature conditions refer to the attached "Air reflow temperature conditions" on sheet 4;

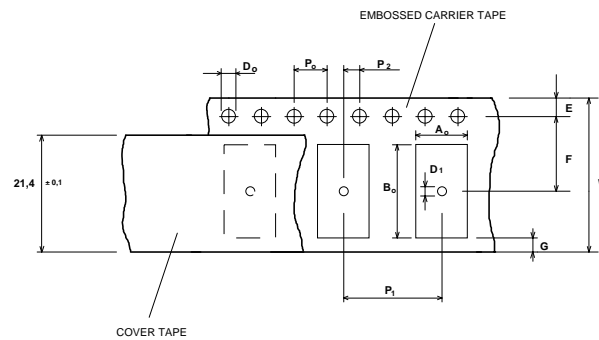
**Packing**

Tape & Reel: DIN IEC 286 - 3, with exception of value for N and minimum bending radius;  
tape type II, embossed carrier tape with top cover tape on the upper side;

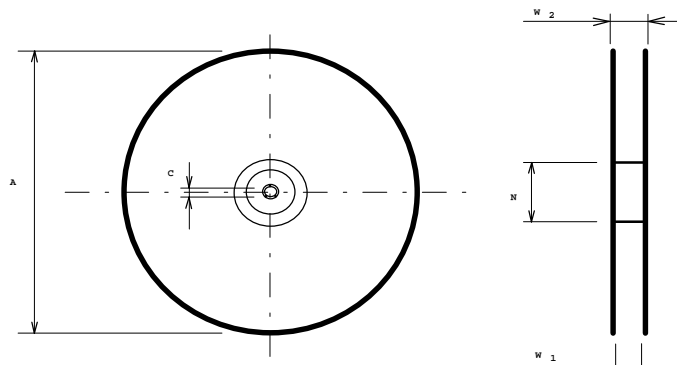
max. pieces of filters per reel: 1700

**Tape (all dimensions in mm)**

W	: 24 ± 0,3
Po	: 4 ± 0,1
Do	: 1,5 + 0,5
D1	: 1,5 + 0,5
E	: 1,75 ± 0,1
F	: 11,5 ± 0,1
G (min)	: 0,75
P2	: 2 ± 0,1
P1	: 12 ± 0,1
D1(min)	: 1,5
Ao	: 7,1 ± 0,2
Bo	: 13,9 ± 0,2

**Reel (all dimensions in mm):**

A	:	330
W1	:	24,4 +2
W2 (max)	:	30,4
N (min)	:	>= 90
C	:	13 ± 0,25



The minimum bending radius is 45 mm. The mounting surface of the filters faces the bottom side of the embossed carrier tape. The marking of the filters is able to read if the view is directed on the upper side of the carrier tape with the sprocket holes on the right side of the tap

**VI TELEFILTER**  
**Potsdamer Straße 18**  
**D 14 513 TELTOW / Germany**  
**Tel: (+49) 3328 4784-52 / Fax: (+49) 3328 4784-30**  
**E-Mail: tft@telefilter.com**

**Vectron International Inc.**  
**267 Lowell Road**  
**Hudson, NH 03051 / USA**  
**Tel: (603) 598-0070 Fax: (603) 598-0075**  
**E-Mail: vti@vtinh.com**

VI TELEFILTER reserves the right to make changes to the product(s) and/or information contained herein without notice. No liability is assumed as a result of their use or application. No rights under any patent accompany the sale of any such product(s) or information.

**VI TELEFILTER****Filter specification****TFS 110 B - 4/4****Air reflow temperature conditions**

## 1st and 2nd air reflow profile

<b>Name:</b>	pre-heating periods	main-heating periods	peak temperature
<b>Temperature:</b>	150 °C - 170 °C	over 200 °C	230 °C ± 5 °C
<b>Time:</b>	60 sec. - 90 sec.	20 sec. - 25 sec.	

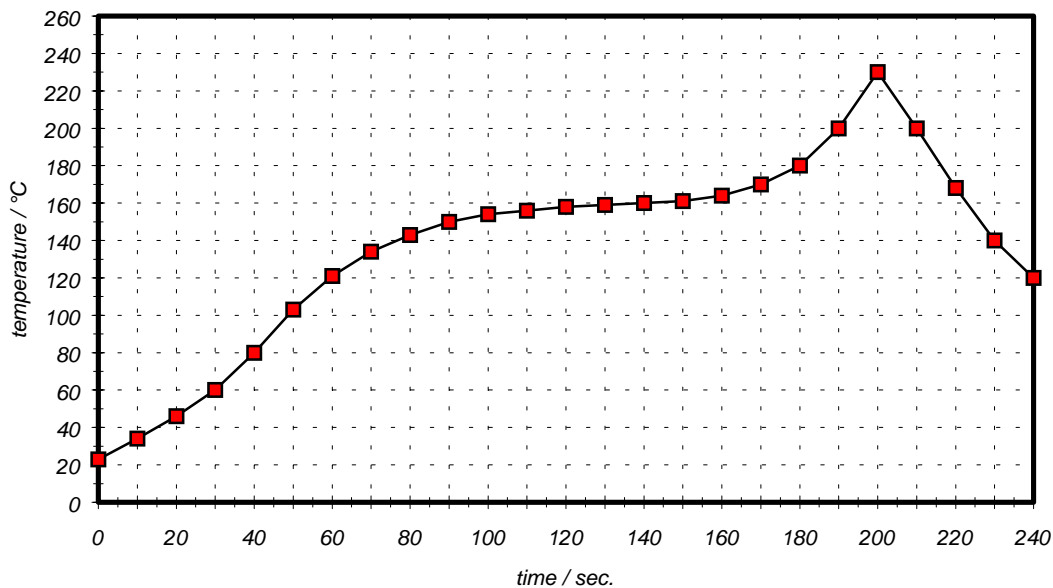
**Air reflow profile**

Table for temperature vs. time during the air reflow process

Tolerance of temperatures: ± 5 °C

time / sec.	temperature / °C	time / sec.	temperature / °C
0	23	140	160
10	34	150	161
20	46	160	164
30	60	170	170
40	80	180	180
50	103	190	190
60	121	195	220
70	134	200	230
80	143	205	220
90	150	210	200
100	154	215	180
110	156	220	165
120	158	230	140
130	159	240	120

VI TELEFILTER  
 Potsdamer Straße 18  
 D 14 513 TELTOW / Germany  
 Tel: (+49) 3328 4784-52 / Fax: (+49) 3328 4784-30  
 E-Mail: tft@telefilter.com

Vectron International Inc.  
 267 Lowell Road  
 Hudson, NH 03051 / USA  
 Tel: (603) 598-0070 Fax: (603) 598-0075  
 E-Mail: vti@vtinh.com

VI TELEFILTER reserves the right to make changes to the product(s) and/or information contained herein without notice. No liability is assumed as a result of their use or application. No rights under any patent accompany the sale of any such product(s) or information.