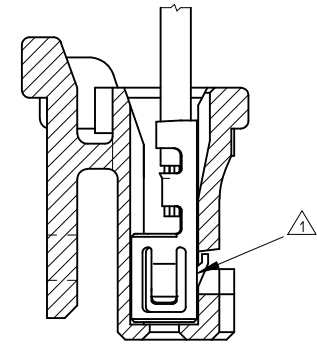
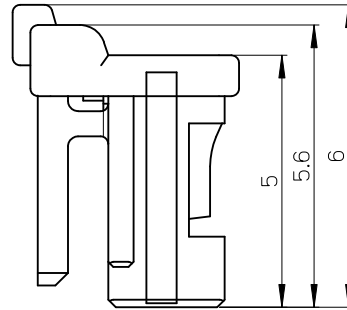
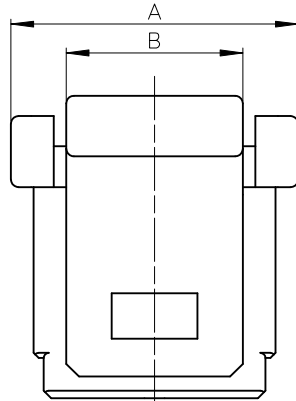
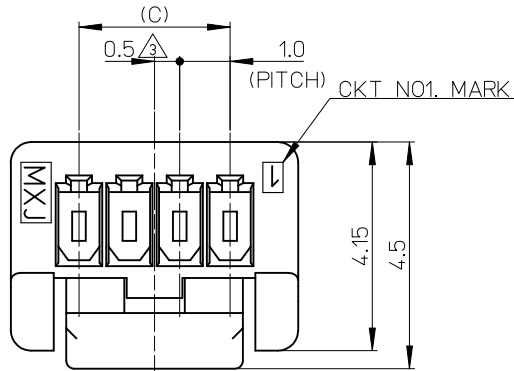


NOTES.

- ① 適合ターミナル : 501334-****
APPLICABLE TERMINAL : 501334-****
- ② 嵌合相手 : 501940/501953-****
MATE WITH : 501940/501953-****
- ③ 偶数極に適用
APPLY FOR EVEN CIRCUIT SIZE
- ④ ELV 及び RoHS適合品
ELV AND RoHS COMPLIANT.
- ⑤ 材質
MATERIAL
66ナイロン 66NYLON
ガラス無充填 GLASS FILLED 0%
UL94V-0



ターミナル装着図
TERMINAL ASSEMBLY DRAWING

4.0	3.5	6.7	5
3.0		5.7	4
2.0	2.5	4.7	3
C	B	A	極数 CIRCUITS

CONNECTOR SERIES No. 501939-****

REVISED EC NO: J2010-2217 DRWN:THAYU 2010/05/12 CHKD:AMIZUMURA 2010/05/13 APPR:NUKITA 2010/05/14	GENERAL TOLERANCES (UNLESS SPECIFIED)		DIMENSION STYLE MM ONLY		SCALE 10:1	DESIGN UNITS METRIC	THIRD ANGLE PROJECTION	
	10 UNDER	±0.2	DRAWN BY NYOSHIDA	DATE 2005/09/16	TITLE 1.0 WIRE TO BOARD CONN. 1-ROW RECPACLE HOUSING POSITIVE LOCK MOLEX INCORPORATED DOCUMENT NO. SD-501939-001 SHEET NO. 1 OF 2			
	10 OVER 30 UNDER	±0.25	CHECKED BY AMIZUMURA	DATE 2005/09/16				
	30 OVER	±0.3	APPROVED BY MYAGI	DATE 2005/09/16				
ANGULAR	±3 °	MATERIAL NO. SEE SHEET 2						
DRAFT WHERE APPLICABLE MUST REMAIN WITHIN DIMENSIONS		SIZE A3		THIS DRAWING CONTAINS INFORMATION THAT IS PROPRIETARY TO MOLEX INCORPORATED AND SHOULD NOT BE USED WITHOUT WRITTEN PERMISSION				

アイボリー IVORY	紫 VIOLET	橙 ORANGE	茶 BROWN	緑 GREEN	色 COLOR
501939-0530	501939-0539	501939-0538	501939-0537	501939-0536	5
501939-0430	501939-0439	501939-0438	501939-0437	501939-0436	4
501939-0330	501939-0339	501939-0338	501939-0337	501939-0336	3
PLASTIC BAG PACKAGE オーダー番号 ORDER NO.	PLASTIC BAG PACKAGE オーダー番号 ORDER NO.	PLASTIC BAG PACKAGE オーダー番号 ORDER NO.	PLASTIC BAG PACKAGE オーダー番号 ORDER NO.	PLASTIC BAG PACKAGE オーダー番号 ORDER NO.	極数 CIRCUITS
CONNECTOR SERIES No. 501939-****					
青 BLUE	黄 YELLOW	赤 RED	黒 BLACK	白 WHITE	色 COLOR
501939-0534	501939-0533	501939-0532		501939-0500	5
501939-0434	501939-0433	501939-0432	501939-0431	501939-0400	4
501939-0334	501939-0333	501939-0332	501939-0331	501939-0300	3
PLASTIC BAG PACKAGE オーダー番号 ORDER NO.	PLASTIC BAG PACKAGE オーダー番号 ORDER NO.	PLASTIC BAG PACKAGE オーダー番号 ORDER NO.	PLASTIC BAG PACKAGE オーダー番号 ORDER NO.	PLASTIC BAG PACKAGE オーダー番号 ORDER NO.	極数 CIRCUITS

REVISED EC NO: J2010-2217 DRWN: THANJU CHKD: KASAKAWA APPR: NUKITA	2010/05/12 2010/05/13 2010/05/14	GENERAL TOLERANCES (UNLESS SPECIFIED)		DIMENSION STYLE MM ONLY		SCALE 10:1	DESIGN UNITS METRIC	THIRD ANGLE PROJECTION		
		10 UNDER	±0.2	DRAWN BY NYOSHIDA	DATE 2005/09/16	TITLE 1.0 WIRE TO BOARD CONN. 1-ROW RECPTACLE HOUSING POSITIVE LOCK MOLEX INCORPORATED				
		10 OVER 30 UNDER	±0.25	CHECKED BY AMIZUMURA	DATE 2005/09/16					
		30 OVER	±0.3	APPROVED BY MYAGI	DATE 2005/09/16					
ANGULAR ±3 °		DRAFT WHERE APPLICABLE MUST REMAIN WITHIN DIMENSIONS		MATERIAL NO. SEE TABLE		DOCUMENT NO. SD-501939-001		SHEET NO. 2 OF 2		
				SIZE A3		THIS DRAWING CONTAINS INFORMATION THAT IS PROPRIETARY TO MOLEX INCORPORATED AND SHOULD NOT BE USED WITHOUT WRITTEN PERMISSION				