

**PLEASE CHECK WWW.MOLEX.COM FOR LATEST PART INFORMATION**

**Part Number:** [0393900102](#)  
**Status:** **Active**  
**Description:** 9.52mm (.375") Pitch Beau™ Eurostyle™ Fixed Mount PCB Terminal Block, Modular, 2 Circuits

**Documents:**

[3D Model](#) [RoHS Certificate of Compliance \(PDF\)](#)  
[Drawing \(PDF\)](#)

**General**

Product Family	Terminal Blocks
Series	<a href="#">39390</a>
Application	Wire-to-Board
Component Type	One Piece
Product Literature Order No	USA-262
Product Name	Eurostyle™ Fixed Mount
Type	Euro Block

**Physical**

Circuits (Loaded)	2
Entry Angle	Horizontal
Lock to Mating Part	None
Number of Rows	1
Orientation	Vertical
PC Tail Length (in)	0.205 In
PC Tail Length (mm)	5.20 mm
PCB Retention	None
PCB Thickness Recommended (in)	0.157 In
PCB Thickness Recommended (mm)	4.00 mm
Panel Mount	No
Pitch - Mating Interface (in)	0.375 In
Pitch - Mating Interface (mm)	9.53 mm
Polarized to Mating Part	N/A
Stackable	Yes
Temperature Range - Operating	110°C
Wire Size AWG	10, 12, 14, 16, 18, 20, 22, 24, 26, 28, 30
Wire Size mm²	0.05 - 2.50

**Electrical**

Current - Maximum per Contact	30A
Voltage - Maximum	600V

**Solder Process Data**

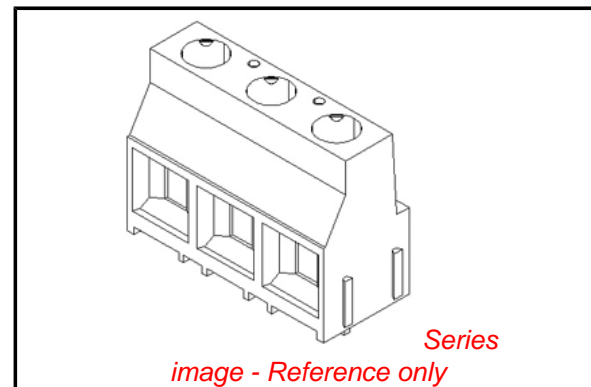
Lead-free Process Capability	Wave Capable (TH only)
Max. Cycles at Max. Process Temperature	5
Process Temperature max. C	260

**Material Info**

Old Part Number	390502
-----------------	--------

**Reference - Drawing Numbers**

Sales Drawing	SD-39390-001
---------------	--------------



**EU RoHS**

**ELV and RoHS Compliant**  
**REACH SVHC**  
 Not Reviewed  
**Halogen-Free Status**

**China RoHS**



**Not Reviewed**

**Need more information on product environmental compliance?**

Email [productcompliance@molex.com](mailto:productcompliance@molex.com)  
 For a multiple part number RoHS Certificate of Compliance, [click here](#)

Please visit the [Contact Us](#) section for any non-product compliance questions.

**Search Parts in this Series**

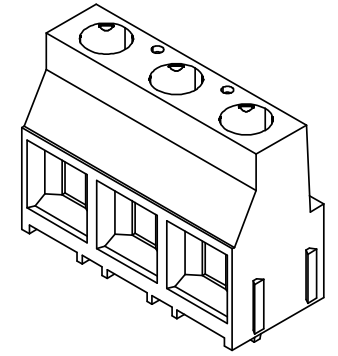
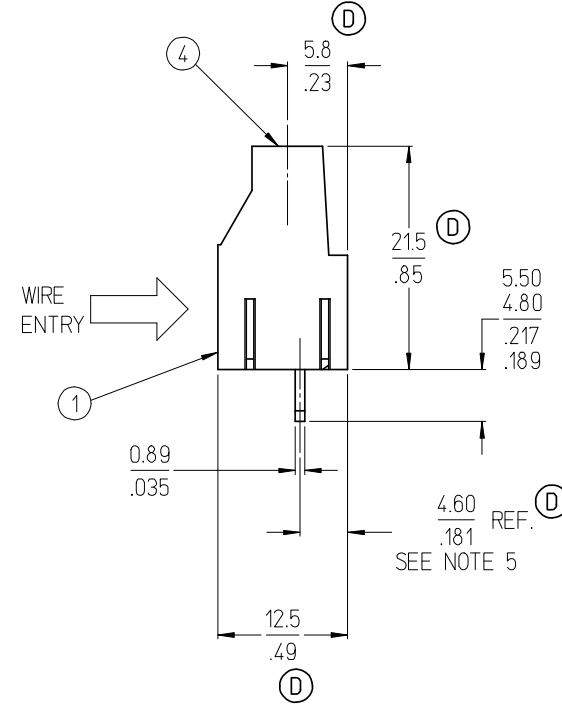
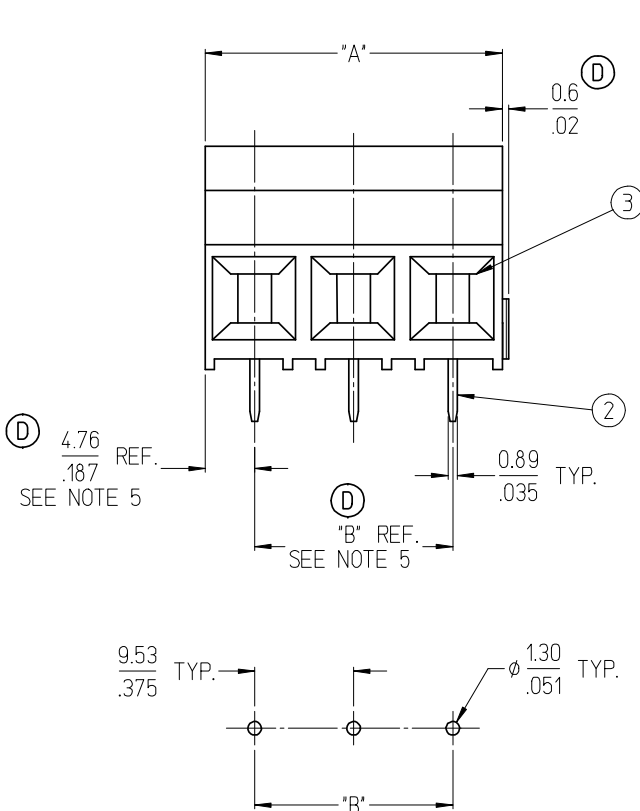
[39390Series](#)

**Mates With**

N/A

MATERIAL NO.	NUMBER OF CIRCUITS "XX"	DIM. "A"	DIM. "B"
393900102	02	19.1 / .75	9.53 / .375
393900103	03	28.6 / 1.13	19.05 / .750

(D)



NOTES:

1. MATERIAL: SEE TABLE
2. FINISHES: SEE TABLE
3. 3 CIRCUIT SHOWN.
4. ASSEMBLY IS ROHS COMPLIANT.
5. DIMENSION SHOWN IS REFERENCE.  
PINS ARE DESIGNED TO MOVE SLIGHTLY TO ALLOW FOR FIT INTO THE PC BOARD.

(D)  
(D)

ITEM	QTY.	DESCRIPTION	MATERIAL	FINISH
4	XX	SCREW	COPPER	NICKEL
3	XX	CAGE CLAMP	COPPER	NICKEL
2	XX	TERMINAL	COPPER	TIN
1	1	INSULATOR	POLYAMIDE	BLACK

REVISE DIMENSIONS  
 EC NO: WNA 2008-0046  
 DRAWN: CLYORK 2008/06/17  
 CHKD: RDEROSS 2008/06/25  
 APPR: RDEROSS 2008/06/26

QUALITY SYMBOLS  
 ▼=0  
 ▽=0

GENERAL TOLERANCES (UNLESS SPECIFIED)

	mm	INCH
4 PLACES	±---	±---
3 PLACES	±---	±.005
2 PLACES	±0.13	±.01
1 PLACE	±0.3	±---

ANGULAR ± 2 °

DRAFT WHERE APPLICABLE  
 MUST REMAIN WITHIN DIMENSIONS

DIMENSION STYLE  
 IN/MM

SCALE  
 2:1

DESIGN UNITS  
 INCH

THIRD ANGLE PROJECTION

DRAWN BY  
 R. KEMP

DATE  
 2003/07/01

CHECKED BY  
 R. STONE

DATE  
 2003/07/01

APPROVED BY  
 P. WALTZ

DATE  
 2003/07/01

MATERIAL NO.  
 SEE CHART

TITLE  
 9.53/.375 FIXED TERMINAL BLOCK ASSEMBLY

MOLEX INCORPORATED

DOCUMENT NO.  
 SD-39390-001

SHEET NO.  
 1 OF 1

THIS DRAWING CONTAINS INFORMATION THAT IS PROPRIETARY TO MOLEX INCORPORATED AND SHOULD NOT BE USED WITHOUT WRITTEN PERMISSION