



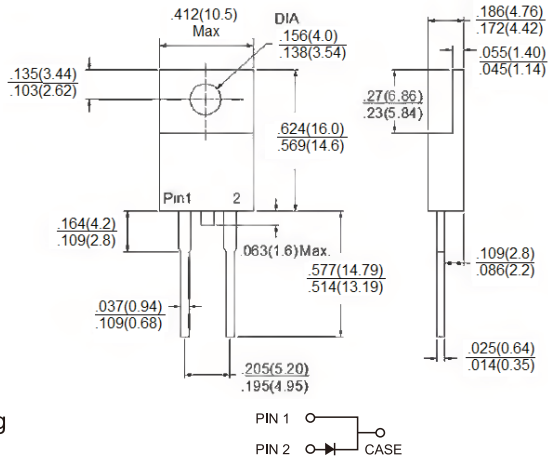
SRA1020 - SRA10150

10.0 AMPS. Schottky Barrier Rectifiers

TO-220AC

Features

- ✧ UL Recognized File # E-326243
- ✧ Low power loss, high efficiency.
- ✧ High current capability, Low VF.
- ✧ High reliability
- ✧ High surge current capability.
- ✧ Epitaxial construction.
- ✧ Guard-ring for transient protection.
- ✧ For use in low voltage, high frequency inverter, free wheeling, and polarity protection application
- ✧ Green compound with suffix "G" on packing code & prefix "G" on datecode.

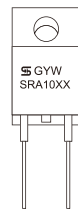


Mechanical Data

- ✧ Cases: TO-220AC molded plastic
- ✧ Epoxy: UL 94V-0 rate flame retardant
- ✧ Terminals: Pure tin plated, lead free, solderable per MIL-STD-202, Method 208 guaranteed
- ✧ Polarity: As marked
- ✧ High temperature soldering guaranteed: 260°C/10 seconds/ .25", (6.35mm) from case.
- ✧ Weight: 1.87 grams

Dimensions in inches and (millimeters)

Marking Diagram



- SRA10XX = Specific Device Code
- G = Green Compound
- Y = Year
- WW = Work Week

Maximum Ratings and Electrical Characteristics

Rating at 25 °C ambient temperature unless otherwise specified.
Single phase, half wave, 60 Hz, resistive or inductive load.
For capacitive load, derate current by 20%

Type Number	Symbol	SRA 1020	SRA 1030	SRA 1040	SRA 1050	SRA 1060	SRA 1090	SRA 10100	SRA 10150	Units
Maximum Recurrent Peak Reverse Voltage	V _{RRM}	20	30	40	50	60	90	100	150	V
Maximum RMS Voltage	V _{RMS}	14	21	28	35	42	63	70	105	V
Maximum DC Blocking Voltage	V _{DC}	20	30	40	50	60	90	100	150	V
Maximum Average Forward Rectified Current @Tc=110 °C	I _{F(AV)}	10								A
Peak Forward Surge Current, 8.3 ms Single Half Sine-wave Superimposed on Rated Load (JEDEC method)	I _{FSM}	170								A
Maximum Instantaneous Forward Voltage @10A	V _F	0.55		0.70		0.85		0.95		V
Maximum D.C. Reverse Current at Rated DC Blocking Voltage (Note1)	I _R	0.5				0.1				mA
		15		10		-				mA
		-				5				mA
Typical Junction Capacitance (Note 2)	C _j	400								pF
Typical Thermal Resistance (Note 3)	R _{θJC}	2.0								°C/W
Operating Junction Temperature Range	T _J	-65 to +125				-65 to +150				°C
Storage Temperature Range	T _{STG}	-65 to +150								°C

Notes: 1. Pulse Test: 300us Pulse Width, 1% Duty Cycle
2. Measured at 1MHz and Applied Reverse Voltage of 4.0V D.C.
3. Mounted on Heatsink Size of 2" x 3" x 0.25" Al-Plate.

RATINGS AND CHARACTERISTIC CURVES (SRA1020 THRU SRA10150)

