



Digital Meters Loop and Line Powered

DESCRIPTION

A selection of digital meters is available as additional indication for any of Magnetrol's electronic transmitters. These meters are manufactured by a leading meter supplier and are a valuable accessory to the local indication already standard on many of our transmitters, or as indication on a blind transmitter.

FEATURES

- Choice of two- and four-wire models
- ½" DIN, NEMA 4X and explosion proof enclosures
- Panel and pipe mounting kits available
- FM, CSA, UL and CENELEC approvals available
- Only one volt drop across loop-powered models
- 3½, 4 or 6 digit display
- Line-powered models available with the following options:
 - Totalizer
 - On-board power supplies
 - Up to four relays
 - Pump alternation
 - Programmable root functions for flumes and weirs
 - 11-point calibration
 - Square root extraction



FOR USE WITH

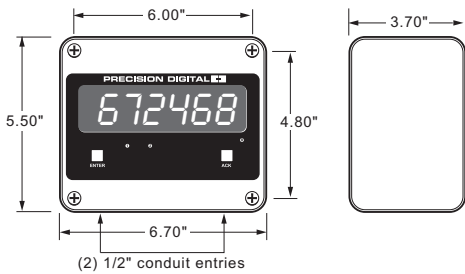
- Eclipse® Guided Wave Radar Transmitter
- Thermatel® Models TA1 and TA2 Thermal Mass Flow Transmitters
- Echotel® Models 300, 301, 344, 345 and 355 Non-Contact Ultrasonic Level Transmitters
- Kotron® Models 82CE, 801, 804 and 805 RF Capacitance Level Transmitters
- E3 Modulelevel® Displacer Transmitters

DIGITAL METER FEATURES

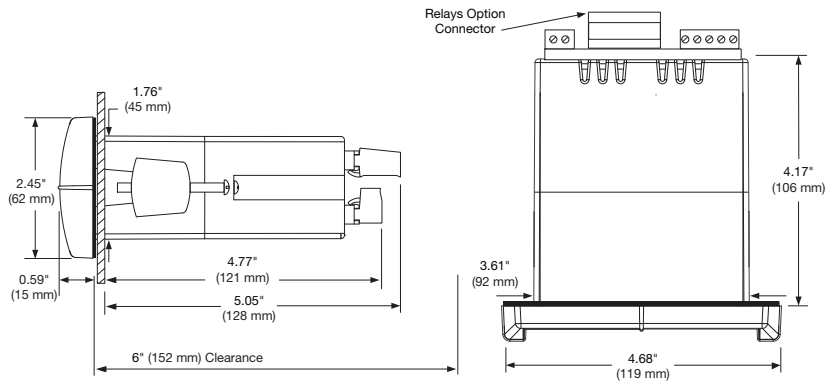
	009-5765-5XX*	009-5768-6XX	009-5768-7XX	009-5762-0XX*	009-5776-5XX
Line/Loop	Line	Loop	Loop	Line	Line
Display	6 digits, 1"	3.5 digits, 1"	3.5 digits, 1"	6 digits, 0.60"	4 digits, 0.56"
Enclosure Material	Glass Filled Polycarbonate	Glass Filled Polycarbonate	Cast Aluminum	Plastic 1/8" DIN	Plastic 1/8" DIN
Enclosure Rating	NEMA 4X	NEMA 4X	Explosion Proof	NEMA 4X Panel	NEMA 4X Panel
Power	115/230 VAC, 24 VDC	24 VDC	24 VDC	85-265 VAC, 12 or 24 VDC	85-265 VAC/90-265 VDC 12-36 VDC
Operating Temp. Range	-4° to +149° F (-20° to +65° C)	-40° to +185° F (-40° to +85° C)	-40° to +176° F (-40° to +80° C)	-40° to +149° F (-40° to +65° C)	+32° to +149° F (0° to +65° C)
UL/CUL Approvals	None	None	None	Yes	None
FM/CSA Approvals	None	Class I, II, III, Div 1 Gps A,B,C,D,E,F,G Type 4X	Cl. I Div 1, Gps C,D Cl. II Div 1, Gps E,F,G Cl. III	None	None
Mounting	Wall	Wall	Wall	Panel	Panel
Maximum Input Loop Resistance	100 Ω	50 Ω	50 Ω	50 - 100 Ω	50 Ω
Isolated 24 VDC P.S. Max. Loop Resistance	1200 Ω	N/A	N/A	700 Ω	N/A
Isolated 24 VDC P.S.	Yes, 2	N/A	N/A	Yes, 2	N/A

* Models 009-5765-5XX and 009-5762-0XX include the following features: totalizer, 2 or 4 SPDT relays with adjustable deadband rated for 2 amps at 250 VAC, alternate rate/total display, pump alternation, 4-20 mA retransmit, 11-point calibration, programmable root functions for weirs & flumes, square root extraction, priority batch programming, lock-out and fail-safe.

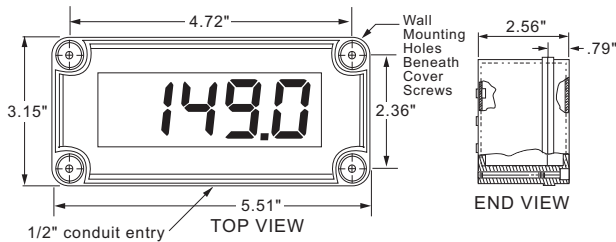
DIMENSIONAL DRAWINGS



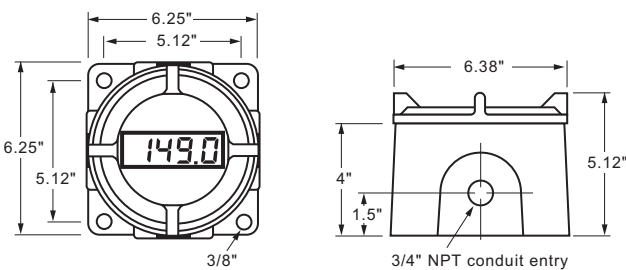
009-5765-5XX



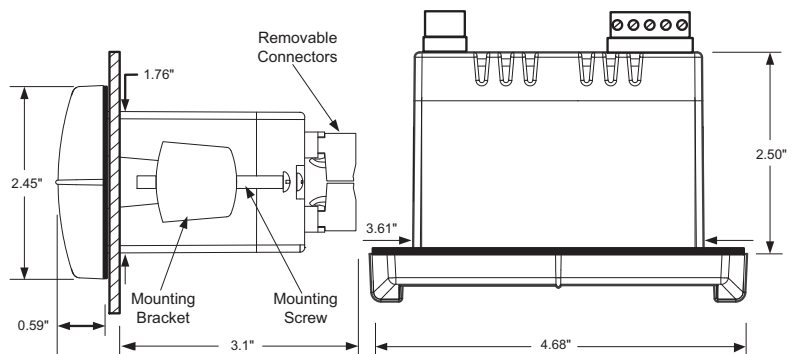
009-5762-0XX



009-5768-6XX



009-5768-7XX



009-5776-5XX

DIGITAL METER MODEL NUMBER

METER TYPE

6 2 0	Line powered ½ DIN
6 5 5	Line powered NEMA 4X
6 8 6	Loop powered NEMA 4X 24 VDC only
6 8 7	Loop powered XP 24 VDC only
7 6 5	Line powered ½ DIN

SUPPLY VOLTAGE

0	115/230 VAC	620, 655 & 765 only
2	24 VDC	655, 686, 687, 692, 765

Model 009-5762-02X is suitable for 12 or 24 VDC supply voltage

Model 009-5776-52X is suitable for 12-36 VDC supply voltage

Model 009-5776-50X is suitable for 85-265 VAC or 90-265 VDC supply voltage

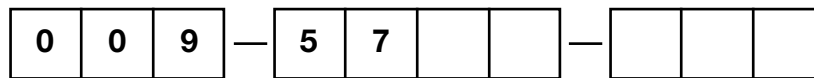
Model 009-5762-00X is suitable for 85-265 VAC supply voltage

OUTPUT/OPTIONS

1	Indication only	
2	2 relays	620 & 655 only
3	4-20 mA retransmit	620 & 655 only
4	2 relays and 4-20 mA retransmit	620 & 655 only
5	4 relays	620 & 655 only
6	4 relays and 4-20 mA retransmit	620 & 655 only

MOUNTING KITS

036-3817-001	Panel mounting kit for Model 655
036-3817-002	2" pipe mounting kit for Model 655
036-3817-003	Panel mounting kit for Model 686
036-3817-004	2" pipe mounting kit for Models 686 & 687



MODEL NUMBER CROSS-REFERENCE

Magnetrol Model	Precision Digital Model	Magnetrol Model	Precision Digital Model	Magnetrol Model	Precision Digital Model
009-5762-021	PD6200-7R0	009-5762-006	PD6200-6R7	009-5765-525	PD655-2-47
009-5762-022	PD6200-7R2	009-5765-501	PD655-N	009-5765-526	PD655-2-48
009-5762-023	PD6200-7R3	009-5765-502	PD655-44	009-5768-621	PD686
009-5762-024	PD6200-7R5	009-5765-503	PD655-45	009-5768-721	PD687-EX
009-5762-025	PD6200-7R4	009-5765-504	PD655-46	009-5776-501	PD765-6RO
009-5762-026	PD6200-7R7	009-5765-505	PD655-47	009-5776-521	PD765-6RO-1
009-5762-001	PD6200-6R0	009-5765-506	PD655-48	036-3817-001	PDA6554
009-5762-002	PD6200-6R2	009-5765-521	PD655-2-N	036-3817-002	PDA6545
009-5762-003	PD6200-6R3	009-5765-522	PD655-2-44	036-3817-003	PDA6844
009-5762-004	PD6200-6R5	009-5765-523	PD655-2-45	036-3817-004	PDA6845
009-5762-005	PD6200-6R4	009-5765-524	PD655-2-46		

QUALITY



The quality assurance system in place at Magnetrol guarantees the highest level of quality throughout the company. Magnetrol is committed to providing full customer satisfaction both in quality products and quality service.

Magnetrol's corporate quality assurance system is registered to ISO 9001 affirming its commitment to known international quality standards providing the strongest assurance of product/service quality available.

WARRANTY



All Magnetrol electronic level and flow controls are warranted free of defects in materials or workmanship for one full year from the date of original factory shipment.

If returned within the warranty period; and, upon factory inspection of the control, the cause of the claim is determined to be covered under the warranty; then, Magnetrol will repair

or replace the control at no cost to the purchaser (or owner) other than transportation.

Magnetrol shall not be liable for misapplication, labor claims, direct or consequential damage or expense arising from the installation or use of equipment. There are no other warranties expressed or implied, except special written warranties covering some Magnetrol products.

Important Note: The digital meters described in this bulletin are manufactured by Precision Digital and marketed and sold on a non-exclusive basis by Magnetrol International. Standard Precision Digital terms relative to warranty, shipment and ISO 9001 registration apply.



5300 Belmont Road • Downers Grove, Illinois 60515-4499 • 630-969-4000 • Fax 630-969-9489 • www.magnetrol.com
145 Jardin Drive, Units 1 & 2 • Concord, Ontario Canada L4K 1X7 • 905-738-9600 • Fax 905-738-1306
Heikensstraat 6 • B 9240 Zele, Belgium • 052 45.11.11 • Fax 052 45.09.93
Regent Business Ctr., Jubilee Rd. • Burgess Hill, Sussex RH15 9TL U.K. • 01444-871313 • Fax 01444-871317

Copyright © 2009 Magnetrol International, Incorporated. All rights reserved. Printed in the USA.
Performance specifications are effective with date of issue and are subject to change without notice.
Magnetrol & Magnetrol logotype, Eclipse, and Modulevel are registered trademarks of Magnetrol International.

BULLETIN: 41-104.2
EFFECTIVE: June 2009
SUPERSEDES: May 2003