

## EPA1624 & EPA1624-LF



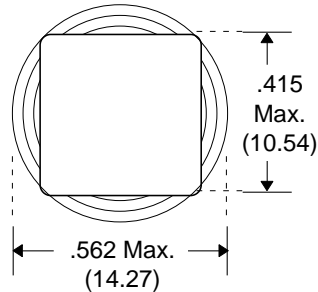
- Used in Switch-Mode Power Supplies
- Add “-LF” after part number for Lead-Free
- UL 94V-0 Recognized Components
- UL 1446 Class B Insulation System
- 1.0A Max. D.C. Current

### Electrical Specifications @ 25°C

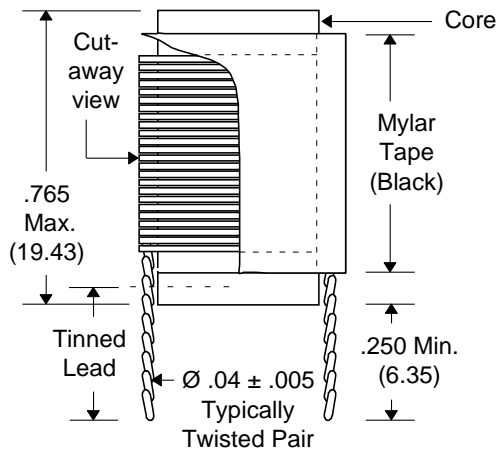
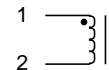
Primary OCL ( $\mu\text{H}$ )	DCR ( $\Omega$ )
@ 1 KHz, 0.1Vrms	
315-385	0.20-0.27

Notes :	EPA1624	EPA1624-LF
1. Lead Finish	SnPb or SnAg	Hot Tin Dip (Sn)
2. Peak Solder Rating (per IPC/JEDEC-JESD22-B106-B)	260°C 10 (+2/-0) seconds	260°C 10 (+2/-0) seconds
3. Weight	7.89 grams	7.89 grams
4. Packaging Information	Tray : TBD pieces/tray	TBD pieces/tray

### Package



### Schematic



Unless Otherwise Specified Dimensions are in Inches /mm  $\pm .010 / .25$