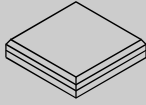


**D125FF06 D125FF08
D125F06 - D125F10**

**600 V - 1,000 V Rectifiers
3.0 A - 4.0 A Forward Current
30 ns - 50 ns Recovery Time**



ELECTRICAL CHARACTERISTICS AND MAXIMUM RATINGS

Part Number	Working Reverse Voltage (V _{rw})	Average Rectified Current (I _o)		Reverse Current @ V _{rw} (I _r)		Forward Voltage (V _f)		1 Cycle Surge Current t _p =8.3ms (I _{fsm})	Repetitive Surge Current (I _{frm})	Reverse Recovery Time (3) (T _{rr})	Thermal Impd. θ _{J-C}	Junction Cap. @50VDC @1kHz (C _j)
		55°C(1)	100°C(2)	25°C	100°C	25°C	25°C	25°C	25°C	25°C	25°C	25°C
	Volts	Amps	Amps	µA	µA	Volts	Amps	Amps	Amps	ns	°C/ W	pF
D125FF06	600	3.0	1.5	1.0	50	5.0	2.0	50	10	30	0.40	100
D125FF08	800	3.0	1.5	1.0	50	5.0	2.0	50	10	30	0.40	100
D125F06	600	4.0	2.0	1.0	50	3.0	2.0	50	10	50	0.40	100
D125F08	800	4.0	2.0	1.0	50	3.0	2.0	50	10	50	0.40	100
D125F10	1000	4.0	2.0	1.0	50	3.0	2.0	50	10	50	0.40	100

(1) TC=55°C (2)TC=100°C (3)I_f=0.5A, I_r=1.0A, I_{rr}=0.25A *Op. Temp.= -65°C to +175°C Stg. Temp.= -65°C to +200°C

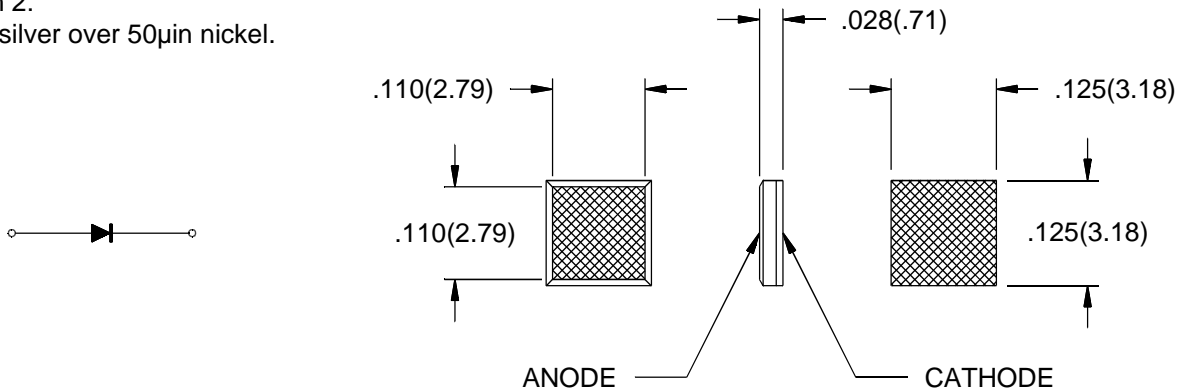
Plating:

Option 1:

50µin gold over 50µin nickel.

Option 2:

50µin silver over 50µin nickel.



Scale: 4 : 1

Dimensions: In. (mm) • All temperatures are ambient unless otherwise noted. • Data subject to change without notice.

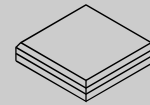


VOLTAGE MULTIPLIERS INC.
8711 W. Roosevelt Ave.
Visalia, CA 93291

TEL 559-651-1402
FAX 559-651-0740
www.voltagemultipliers.com

600 V - 1,000 V Rectifiers
5.0 A Forward Current
70 ns - 3000 ns Recovery Time

D125U06 - D125U10
D125S06 - D125S10



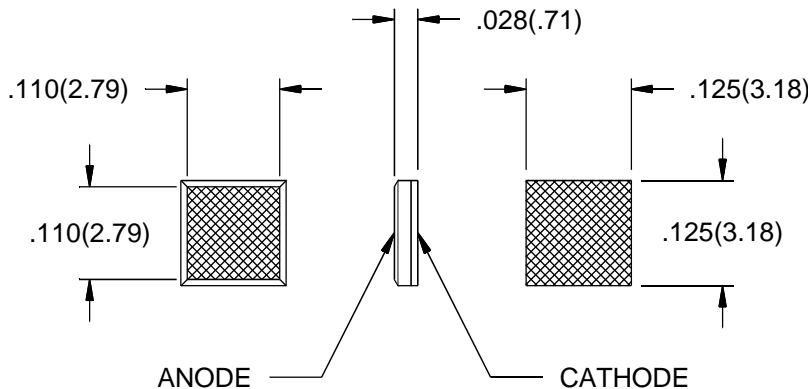
ELECTRICAL CHARACTERISTICS AND MAXIMUM RATINGS

Part Number	Working Reverse Voltage (V _{rrm})	Average Rectified Current (I _o)		Reverse Current @ V _{rrm} (I _r)		Forward Voltage (V _f)		1 Cycle Surge Current t _p =8.3ms (I _{fsm})	Repetitive Surge Current (I _{frm})	Reverse Recovery Time (3) (T _{rr})	Thermal Impd. θ _{J-C}	Junction Cap. @50VDC @1kHz (C _j)
		55°C(1)	100°C(2)	25°C	100°C	25°C	25°C					
	Volts	Amps	Amps	µA	µA	Volts	Amps	Amps	Amps	ns	°C/ W	pF
D125U06	600	5.0	2.5	1.0	50	1.7	3.0	100	20	70	0.40	100
D125U08	800	5.0	2.5	1.0	50	1.7	3.0	100	20	70	0.40	100
D125U10	1000	5.0	2.5	1.0	50	1.7	3.0	100	20	70	0.40	100
D125S06	600	5.0	2.5	1.0	50	1.2	5.0	100	20	3000	0.40	100
D125S08	800	5.0	2.5	1.0	50	1.3	5.0	100	20	3000	0.40	100
D125S10	1000	5.0	2.5	1.0	50	1.3	5.0	100	20	3000	0.40	100

(1) TC=55°C (2)TC=100°C (3)I_f=0.5A, I_r=1.0A, I_{rr}=0.25A *Op. Temp.= -65°C to +175°C Stg. Temp.= -65°C to +200°C

7

Plating:
 Option 1:
 50µin gold over 50µin nickel.
 Option 2:
 50µin silver over 50µin nickel.



Scale: 4 : 1



Dimensions: In. (mm) • All temperatures are ambient unless otherwise noted. • Data subject to change without notice.



VOLTAGE MULTIPLIERS INC.
 8711 W. Roosevelt Ave.
 Visalia, CA 93291

TEL 559-651-1402
 FAX 559-651-0740
 www.voltagemultipliers.com