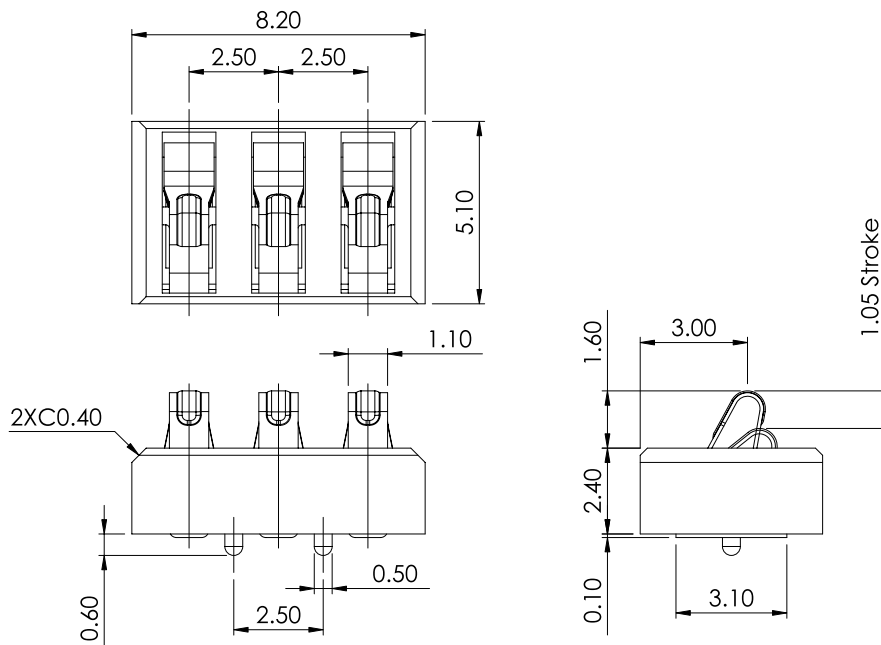


250007MA Series

Specifications:

- **Insulator Material** : Black High Temp. Plastic
- **Operating Type Range** : -40°C TO +105°C
- **Terminal Material** : Phos. Bronze
- **Platings** : Contact-Selective Gold
Plated or Full Gold Plated
- **Max. Current Rating** : 2A
- **Max. Voltage Rating** : 12V AC
- **Dielectric Strength** : 500V AC For 60 Seconds



Mobile

BATTERY

Order Information

250007MA003□□00ZR
1 2 3 4 5

1. 'A' : Straight SMT Type
2. No. of Pins.
3. Plating
4. Color 'Z' : Black
5. Package

'R' : Reel Package Without CAP

Reference Page 11

Recommended P.C.B. Layout

