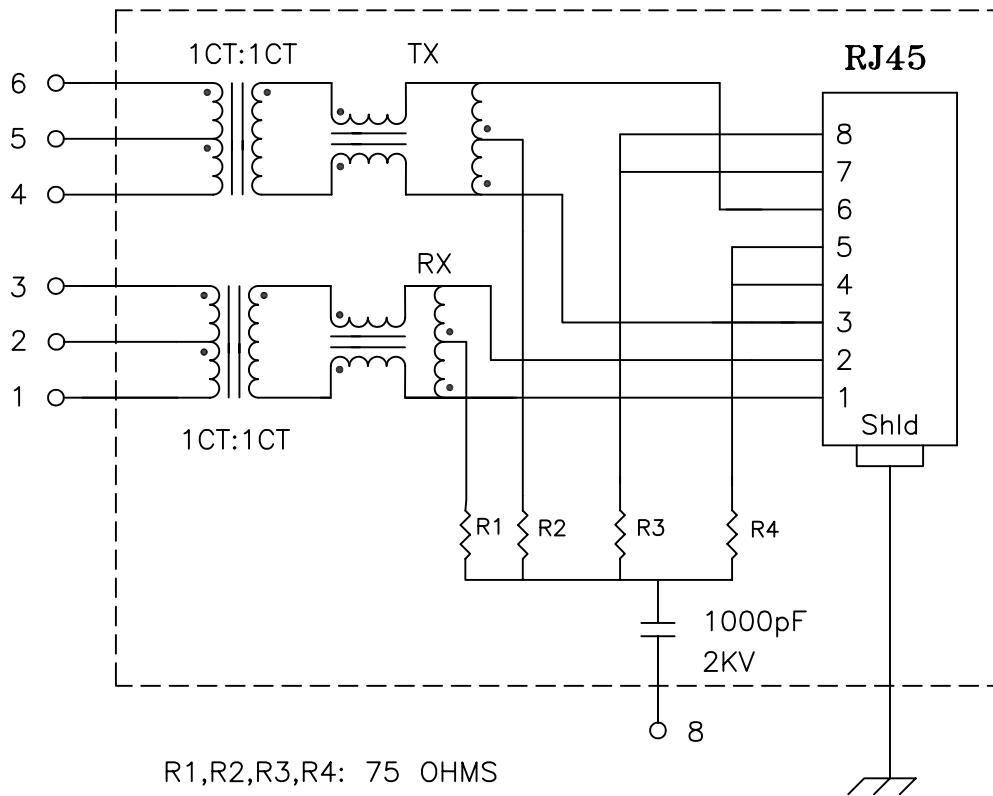


Schematic:



Electrical Specifications: @25°C

Isolation Voltage: 1500 Vrms (Input to Output)

Isolation Voltage: 500 Vrms (P1+2+3 to P4+5+6)

Turns Ratio: TX 1CT:1CT $\pm 3\%$ RX 1CT:1CT $\pm 3\%$

CABLE SIDE OCL: 350uH Minimum @100KHz 100mV 8mADC

Cw/w: 27pF Typical @100KHz 100mV

Insertion Loss (300KHz–100MHz): 1.0dB Max

Return Loss: @30MHz 18dB Minimum

@80MHz 12dB Minimum

Common Mode to Differential Mode Rejection:

100KHz–60MHz -45dB Typ (Tx) / -40dB Typ (Rx)

60MHz–100MHz -40dB Typ (Tx) / -35dB Typ (Rx)

Q: 18 Min @100KHz 0.1V

Notes:

1. Solderability: Leads shall meet MIL-STD-202G, Method 208H for solderability.
2. Flammability: UL94V-0
3. ASTM oxygen index: > 28%
4. Insulation System: Class F 155°C. UL file E151556
5. Operating Temperature Range: All listed parameters are to be within tolerance from -40°C to +85°C
6. Storage Temperature Range: -55°C to +125°C
7. Aqueous wash compatible
8. Electrical and mechanical specifications 100% tested
9. RoHS Compliant Component

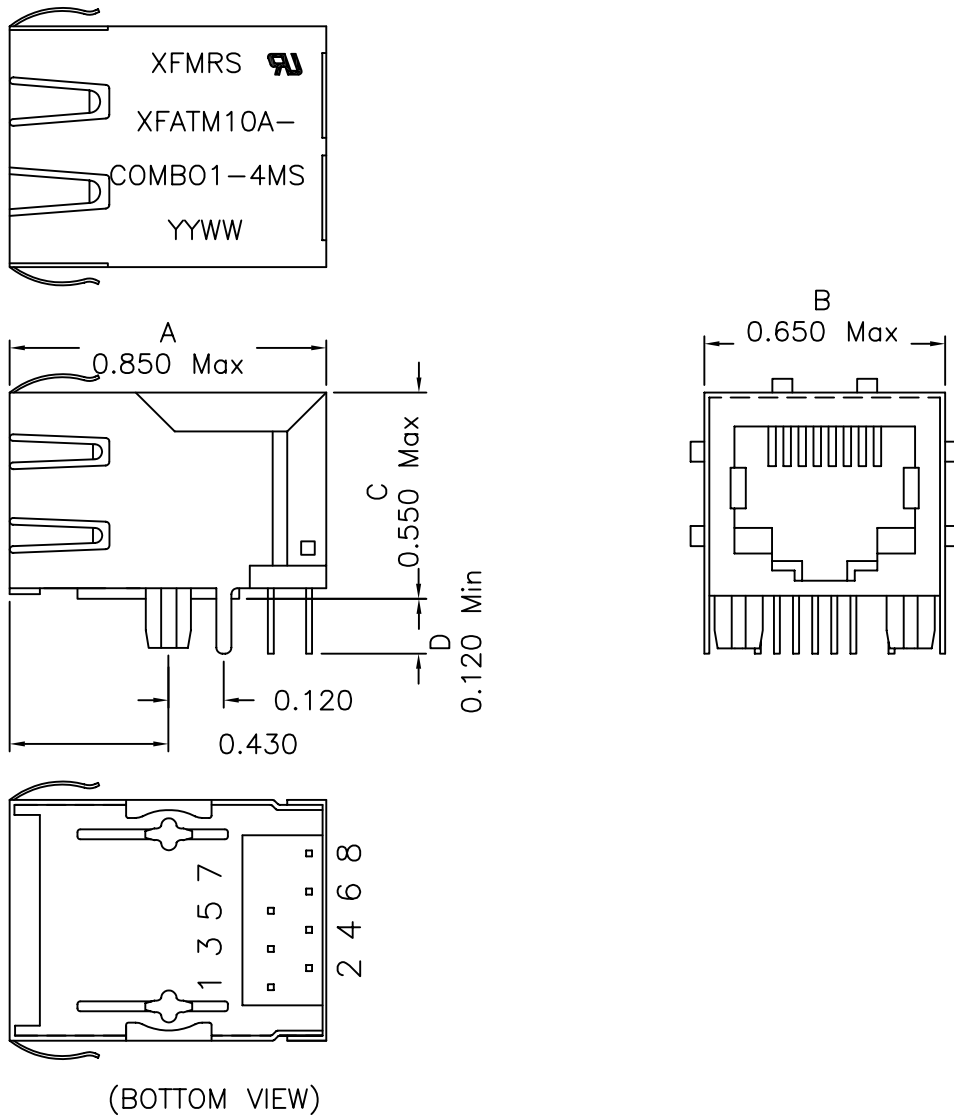
DOC. REV: A/5

PROPRIETARY:

Document is the property of XFMRs Group & is not allowed to be duplicated without authorization.

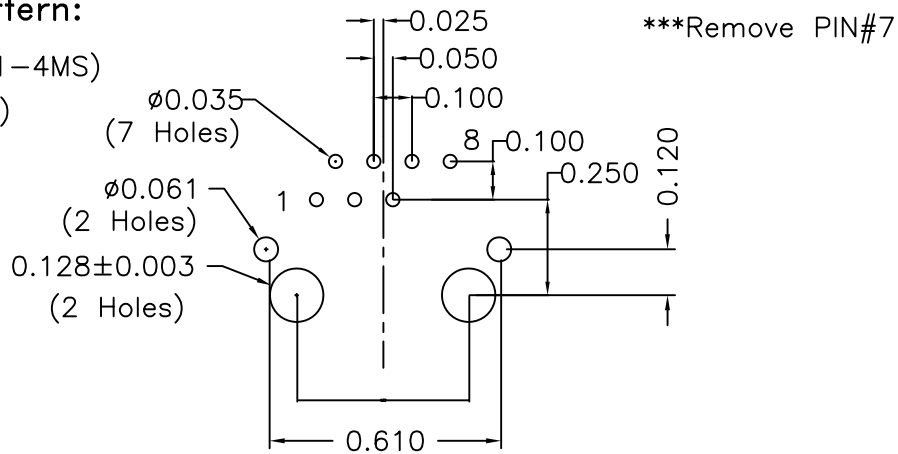
| | | | |
|-----------------------------------|--|---------------------------------|-----------|
| XFMRs Inc www.XFMRs.com | | Title: SINGLE PORT COMBO | |
| UNLESS OTHERWISE SPECIFIED | | P/N: XFATM10A-COMBO1-4MS | REV. A |
| TOLERANCES: .xxx ± 0.010 | | DWN. Mei Chen | Jan-04-10 |
| Dimensions in Inch | | CHK. YK Liao | Jan-04-10 |
| SHEET 1 OF 2 | | APP. BW | Jan-04-10 |

Mechanical Dimensions:



Mounting Pattern:

(FOR COMBO1-4MS)
(COMP SIDE)



DOC REV: A/5

XFMR5 Inc
www.XFMR5.com

Title: Mechanical Dimensions
For COMBO1-4MS Series

UNLESS OTHERWISE SPECIFIED
TOLERANCES:
.xxx ± 0.010
Dimensions in Inch

P/N: XFATM10A-COMBO1-4MS | REV. A

DWN. Mei Chen Jan-04-10

CHK. YK Liao Jan-04-10

SHEET 2 OF 2

APP. BW Jan-04-10

PROPRIETARY:

Document is the property of XFMR5 Group & is not allowed to be duplicated without authorization.