

# DC-AC INVERTER UNIT

**PS-DA0408-092(S) (18 W QUAD OUTPUTS)**

(PRELIMINARY INFORMATION)

**DESCRIPTION :**

This low profile DC to AC Inverter is developed for quad lamps.

**Optimized and for Sharp: LQ150X1LGB1**

**APPLICABLE LCD:**

- 15 to 19 inches quad lamp type
- Lamp Voltage 625 Vrms
- Lamp Current 4 x 6 mArms
- Lamp Start Up Voltage 1.800 Vrms (Vin : 12 Vdc)



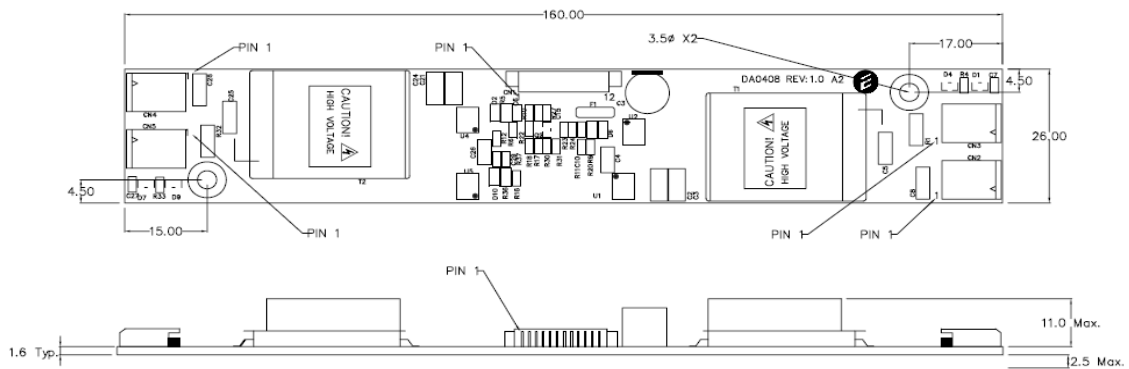
**FEATURES :**

- Remote ON/OFF
- Independent Open Lamp Detection for each side
- Current balance circuit
- Dimming Function
- RoHS compliant (S)

**TEMPERATURE & HUMDITY :**

- Operating Temperature Range 0°C ~ +60°C
- Storage Temperature Range -20°C ~ +85°C
- Humidity 95 %RH max

**DIMENSIONS :** L x W x H **160 x 26 x 12.6 mm**



Note: Please use plastic screw in case of a non-insulating mounting base!

Unit : mm Weight :45 (g) typ.

**Components**

No.	Part Description	Qty.	Material	Note
1	PCB	1	UL94V-0 (FR-4 or CEM-3)	t=1mm
2	Connector CN1	1	53261-1290	Molex or equal
3	Connector CN2 ~ CN5	4	SM02B-BHSS-1-TB	JST or equal

**Power Systems – The Power Solution**

Web: [www.Power-Systems.de](http://www.Power-Systems.de)  
 Email: [Info@Power-Systems.de](mailto:Info@Power-Systems.de)

Address: Hauptstr. 48 ; 74360 Ilfeld-Auenstein / Germany  
 Tel. : + 49 / 70 62 / 67 59 - 6  
 Fax: + 49 / 70 62 / 67 59 - 800

# DC-AC INVERTER UNIT

PS-DA0408-092(S) (18 W QUAD OUTPUTS)

(PRELIMINARY INFORMATION)

**Input side CN1:**

Pin No.	Symbols	Ratings
CN 1-1;3;5;6;8;9	GND	
CN 1-2	Vbr	0 ~ 5.0 Vdc
CN 1-4	Vrmt	0 ~ 0.5 = OFF / 3.3 ~ Vin = ON
CN 1-7	N.C.	
CN 1-10;11;12	Vin	10.8 ~ 13.2 Vdc

**Output side CN2 ~ CN5**

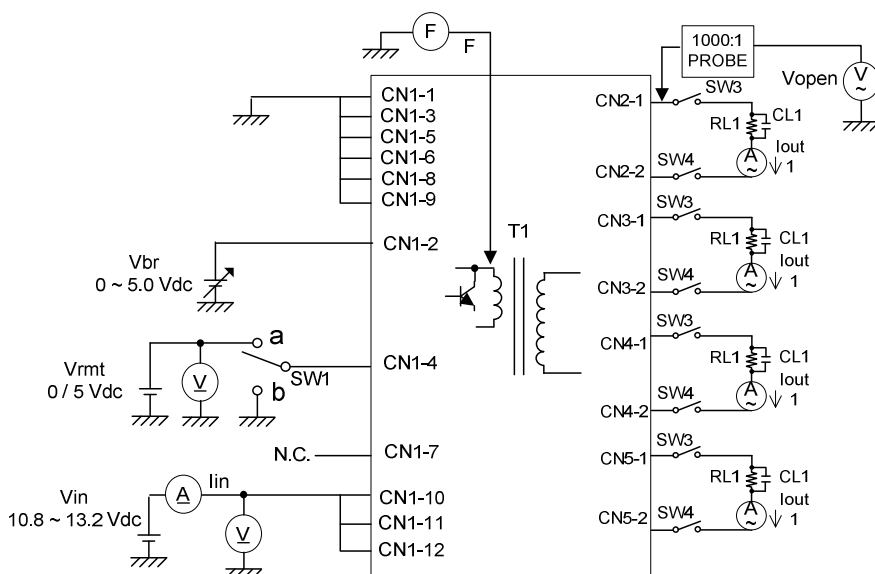
Pin No.	Symbols	Ratings
CN 2-1	Vhigh	625 Vrms (6.0 mArms)
CN 2-2	Vlow	(GND)

**ELECTRICAL CHARACTERISTICS :**

Parameters	Symbols	Conditions			Specification			Unit	Note
		Vin (V)	Vbr (V)	Tu (°C)	Min.	Typ.	Max.		
Output Current	Iout	12±1.2	0	0 ~ +60	5.5	6.0	6.5	mArms	most brightness
Output Current	Iout	12±0.6	5	0 ~ +60	-	26	-	%	
Input Current	Iin	12±1.2	0	0 ~ +60	-	1.46	1.89	A <sub>dc</sub>	
Frequency	F	12±1.2	0	0 ~ +60	45	50	55	kHz	
Open Circuit Voltage	Vopen	11.4	0	0 ~ +60	1.600	1.800	2.300	Vrms	

Note 1 : Please keep minimum of 2mm clearance (all directions) between inverter high voltage area as marked on mechanical drawing and any conductors.

**TEST CIRCUIT :**



SW1	Operation of unit
a	Operation
b	Non operation

**Power Systems – The Power Solution**

Web: [www.Power-Systems.de](http://www.Power-Systems.de)  
 Email: [Info@Power-Systems.de](mailto:Info@Power-Systems.de)

Address: Hauptstr. 48 ; 74360 Ilsfeld-Auenstein / Germany  
 Tel. : + 49 / 70 62 / 67 59 - 6  
 Fax: + 49 / 70 62 / 67 59 - 800