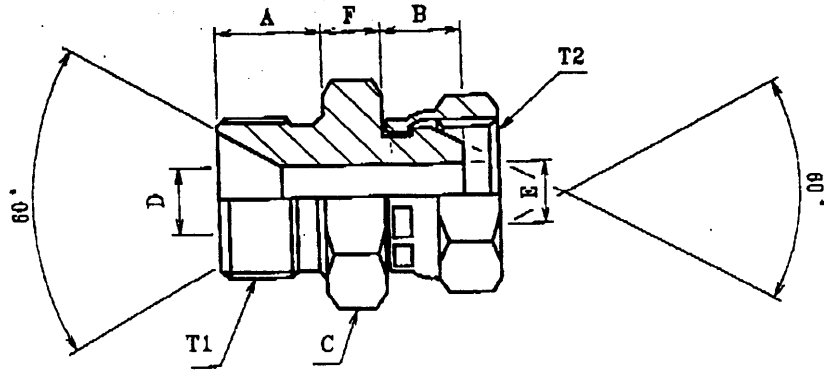


718 2820



**BSP Male x BSP Swivel Female
Reducing Adaptors**

Part No	T1	T2		A	B	C	D	E	F
01426	1/8	1/4	in	0.450"	0.410"	0.710"	0.178"	0.176"	0.300"
			mm	11.43	10.41	18.03	4.47	4.47	7.62
01429	1/4	3/8	in	0.450"	0.512"	0.866"	0.250"	0.250"	0.275"
			mm	11.43	13.00	22.00	6.35	6.35	6.98
01430	1/4	1/2	in	0.450"	0.528"	1.010"	0.250"	0.250"	0.394"
			mm	11.43	13.41	25.85	6.35	6.35	10.00
01431	1/4	3/4	in	0.450"	0.500"	1.300"	0.250"	0.250"	0.394"
			mm	11.43	12.70	33.02	6.35	6.35	10.00
01435	3/8	1/2	in	0.520"	0.528"	1.010"	0.375"	0.375"	0.375"
			mm	13.20	13.41	25.85	9.52	9.52	9.52
01436	3/8	3/4	in	0.520"	0.500"	1.300"	0.375"	0.375"	0.375"
			mm	13.20	12.70	33.02	9.52	9.52	9.52
01437	3/8	1	in	0.520"	0.548"	1.480"	0.375"	0.375"	0.375"
			mm	13.20	13.91	37.59	9.52	9.52	9.52
01440	1/2	1/2	in	0.500"	0.528"	1.010"	0.406"	0.406"	0.370"
			mm	12.70	13.41	25.85	10.31	10.31	9.39
01441	1/2	5/8	in	0.800"	0.500"	1.100"	0.500"	0.500"	0.425"
			mm	20.32	12.70	27.94	12.70	12.70	10.79
01442	1/2	3/4	in	0.600"	0.500"	1.300"	0.500"	0.500"	0.410"
			mm	15.24	12.70	33.02	12.70	12.70	10.41
01443	1/2	1	in	0.800"	0.548"	1.670"	0.500"	0.500"	0.425"
			mm	20.32	13.91	42.41	12.70	12.70	10.79
01446	5/8	5/8	in	0.700"	0.500"	1.100"	0.500"	0.500"	1.100"
			mm	17.78	12.70	27.94	12.70	12.70	27.94
01447	5/8	3/4	in	0.700"	0.500"	1.300"	0.593"	0.593"	0.410"
			mm	17.78	12.70	33.02	15.06	15.06	10.41
01451	3/4	3/4	in	0.750"	0.500"	1.300"	0.609"	0.609"	0.410"
			mm	19.05	12.70	33.02	15.46	15.46	10.41
01452	3/4	1-1/4	in	0.750"	0.510"	2.050"	0.718"	0.718"	0.500"
			mm	19.05	15.49	52.07	18.23	18.23	12.70
01453	3/4	1	in	0.750"	0.548"	1.480"	0.718"	0.718"	0.430"
			mm	19.05	13.91	37.59	18.23	18.23	10.92
01461	1-1/4	1-1/4	in	0.800"	0.510"	2.050"	1.047"	1.047"	0.525"
			mm	20.32	15.49	52.07	26.59	26.59	13.33
01482	1-1/4	1-1/2	in	0.800"	0.750"	2.220"	1.203"	1.203"	0.525"
			mm	20.32	19.05	56.38	30.55	30.55	13.33
01463	1	1-1/4	in	0.800"	0.510"	2.050"	0.875"	0.875"	0.500"
			mm	20.32	15.49	52.07	22.22	22.22	12.70
01486	1-1/2	1-1/2	in	0.850"	0.750"	2.220"	1.312"	1.312"	0.580"
			mm	21.59	19.05	56.38	33.32	33.32	14.73
01467	2	2	in	1.000"	0.812"	2.760"	1.750"	1.750"	0.600"
			mm	25.40	20.62	70.10	44.45	44.45	15.24
01470	3/8	5/8	in	0.520"	0.500"	1.100"	0.375"	0.375"	0.375"
			mm	13.20	12.70	27.94	9.52	9.52	9.52