

D75 Series - 40 mm

Basic Dimensions	Fractional Dimensions	Decimal Dimensions
UP TO 1/4	$\pm 1/128$	$\pm .003$
OVER 1/4 TO 8	$\pm 1/64$	$\pm .005$
OVER 8	$\pm 1/32$	$\pm .010$

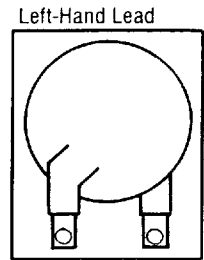
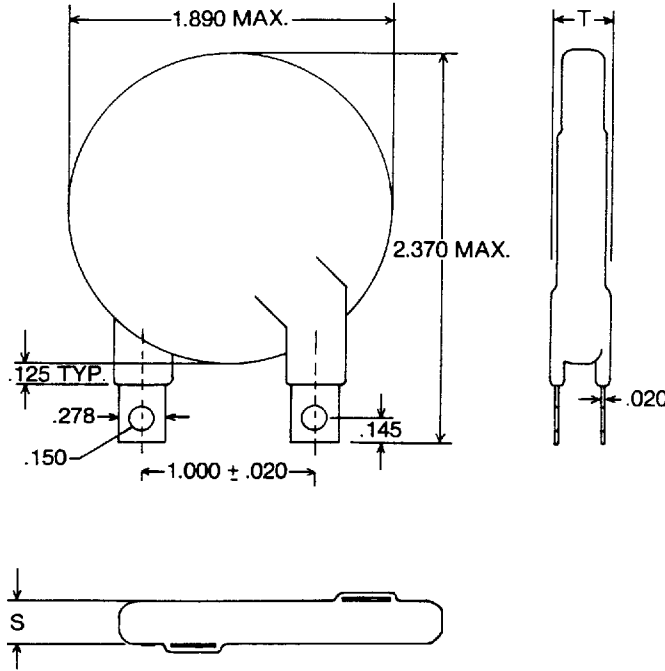
Angles: $\pm 2 1/2$

Dimensional Tolerances Unless Otherwise Specified May Vary

Dimensions Are In Inches

D7580 SERIES VARISTOR

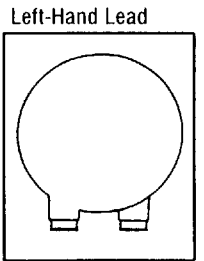
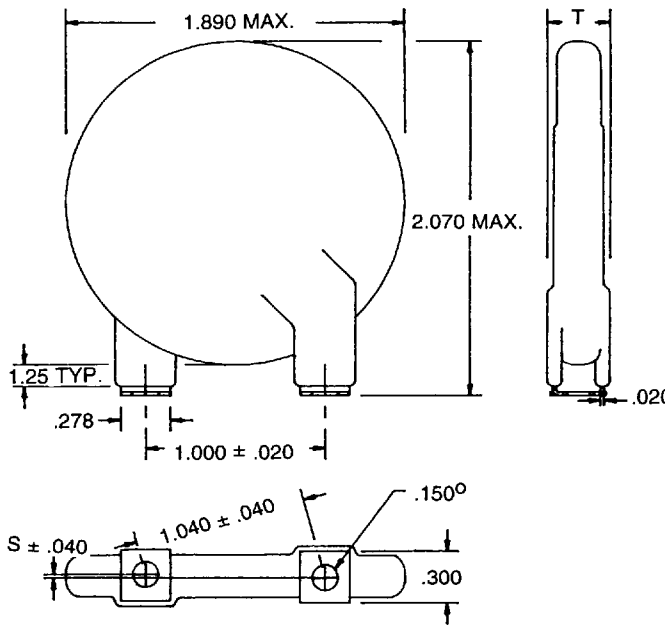
STYLE NUMBER	S	T MAX
D7580ZOV131RA310	.100	.248
D7580ZOV141RA330	.110	.252
D7580ZOV151RA360	.110	.257
D7580ZOV181RA390	.110	.267
D7580ZOV231RA460	.130	.280
D7580ZOV251RA490	.140	.287
D7580ZOV271RA550	.140	.294
D7580ZOV301RA600	.150	.305
D7580ZOV321RA640	.150	.312
D7580ZOV391RA800	.170	.312
D7580ZOV421RA910	.180	.332
D7580ZOV461RA780	.190	.344
D7580ZOV481RA820	.190	.350
D7580ZOV511RA900	.200	.360
D7580ZOV551RA960	.220	.373
D7580ZOV581RA1000	.220	.382
D7580ZOV621RA1040	.230	.395
D7580ZOV681RA1100	.250	.414
D7580ZOV751RA1200	.280	.460
D7580ZOV881RA1300	.320	.476
D7580ZOV102RA1400	.370	.514



Add Prefix "L-"
To Part Number
i.e. L-D7580ZOV131RA310

D7577 SERIES FORMED FOOT VARISTOR

STYLE NUMBER	S	T MAX
D7577ZOV131RA310	.184	.248
D7577ZOV141RA330	.180	.252
D7577ZOV151RA360	.176	.257
D7577ZOV181RA390	.171	.267
D7577ZOV231RA460	.155	.280
D7577ZOV251RA490	.149	.287
D7577ZOV271RA550	.142	.294
D7577ZOV301RA600	.135	.305
D7577ZOV321RA640	.131	.312
D7577ZOV391RA800	.117	.312
D7577ZOV421RA910	.107	.332
D7577ZOV461RA780	.095	.344
D7577ZOV481RA820	.090	.350
D7577ZOV511RA900	.083	.360
D7577ZOV551RA960	.068	.373
D7577ZOV581RA1000	.060	.382
D7577ZOV621RA1040	.053	.395
D7577ZOV681RA1100	.037	.414
D7577ZOV751RA1200	.010	.460
D7577ZOV881RA1300	-.035	.476
D7577ZOV102RA1400	-.080	.514



Add Prefix "L-"
To Part Number
i.e. L-D7577ZOV131RA310

*DIRECTION OF OFFSET DIMENSION "S" CHANGES WHEN S < 0.

5728343 0000523 268

S