

**PLEASE CHECK WWW.MOLEX.COM FOR LATEST PART INFORMATION**

**Part Number:** [0505567712](#)  
**Status:** **Active**  
**Description:** Ring Tongue Terminal for 6 AWG, Closed Uninsulated Brazed Barrel, Stud Size 10 (M5), Oxygen-Free Copper, Width 10.00mm (.394"), Length 29.50mm (1.161")

**Documents:**

[Drawing \(PDF\)](#) [RoHS Certificate of Compliance \(PDF\)](#)  
[Product Specification PS-50555-001 \(PDF\)](#)

**General**

Product Family	Ring and Spade Terminals
Series	<a href="#">50556</a>
Crimp Quality Equipment	Yes
Mil-Spec	N/A
Product Name	R (Ring)
Type	Ring

**Physical**

Barrel Type	Closed - Brazed
Insulation	None
Material - Plating Mating	Tin
Packaging Type	Bag
Plating min: Mating (µin)	40
Plating min: Mating (µm)	1
Plating min: Termination (µin)	40
Plating min: Termination (µm)	1
Stud Size	10 (M5)
Termination Interface: Style	Crimp or Compression
Wire Size AWG	6
Wire Size mm <sup>2</sup>	10.52 - 16.78

**Material Info**

**Reference - Drawing Numbers**

Product Specification	PS-50555-001
Sales Drawing	SD-50556-001



image - Reference only

Series

**EU RoHS**

**ELV and RoHS Compliant**

**REACH SVHC**

Not Reviewed

**Halogen-Free**

Status

**Not Reviewed**

**China RoHS**



**Need more information on product environmental compliance?**

Email [productcompliance@molex.com](mailto:productcompliance@molex.com)  
 For a multiple part number RoHS Certificate of Compliance, [click here](#)

Please visit the [Contact Us](#) section for any non-product compliance questions.

**Search Parts in this Series**

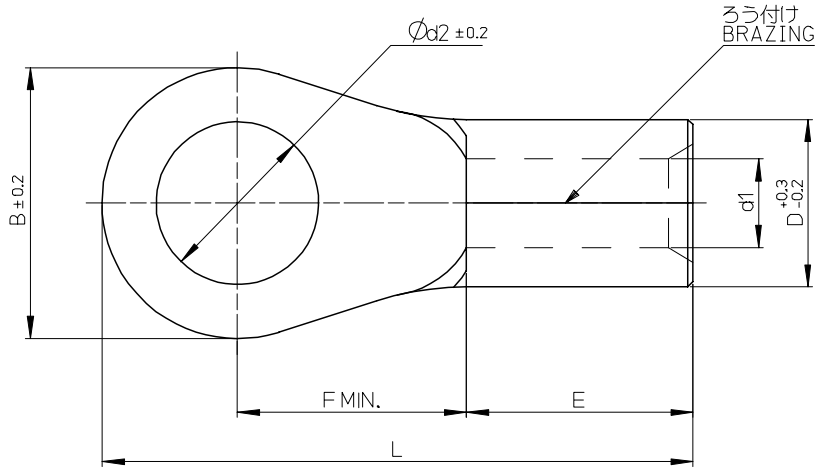
[50556Series](#)

**Application Tooling | FAQ**

*Tooling specifications and manuals are found by selecting the products below. Crimp Height Specifications are then contained in the Application Tooling Specification document.*

**Japan**

Description	Product #
Battery Type Hand Crimper For JIS Terminal	<a href="#">0573439004</a>

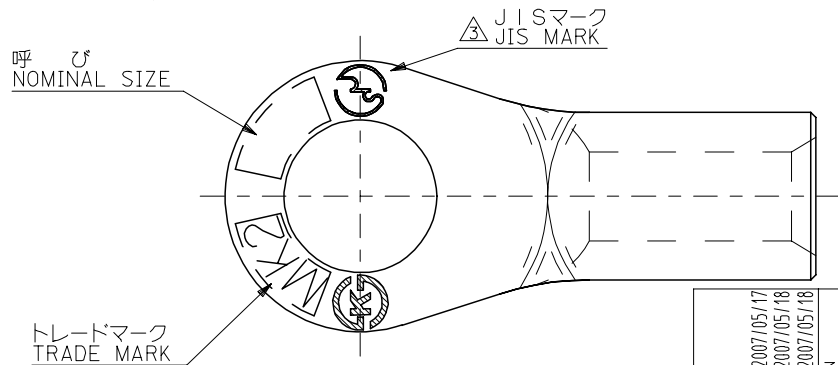
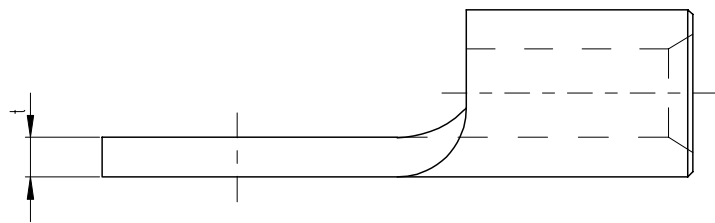


注記 NOTES

- 材質 MATERIAL  
 端子：無酸素銅、錫めっき  
 TERMINAL: OXYGEN-FREE COPPER, TIN PLATING  
 ろう付け部：りん銅ろう  
 PART OF BRAZING : COPPER PHOSPHORUS BRAZING FILLER METALS
- 適用電線 APPLICABLE WIRE RANGE

単線 SOLID WIRE	撚線 STRANDED WIRE
3.65 ~ 4.62 mm	10.52 ~ 16.78 mm <sup>2</sup>

△ JIS認定品にのみ刻印。  
 DIE STAMPED MARK IS ALLOWED ONLY  
 FOR JIS FILED PRODUCTS.



1.6	6.4 <sup>+0.2</sup> 5.3 <sup>+0.2</sup> 11.6 <sup>+0.2</sup> 8.5 <sup>+0.2</sup>	29.5 <sup>+0.5</sup> 41 <sup>+0.5</sup> 29.5 <sup>+0.5</sup> 42 <sup>MAX</sup>	14 17.5 14.5 13 10 9.5	10 <sup>+0.4</sup>	5.8 <sup>+0.3</sup>	9.1	10 22 12 16 12	14	S6	50556-7812
									S5	50556-7712
									11	50556-7612
									S8	50556-7512
JIS	1.45 <sup>MIN</sup>	8.4 <sup>+0.4</sup> 6.4 <sup>+0.4</sup> 5.3 <sup>+0.2</sup>	33 <sup>MAX</sup> 30 <sup>MAX</sup>	9.5 <sup>MIN</sup>	5.8 <sup>+0.2</sup>	9	16 12	14	12	50556-7412
									10	50556-7312
									8	50556-7212
									6	50556-7112
								5	50556-7012	

RELEASED EC NO: J2007-0312 DRW: H.YAJIMA 2007/05/17 CHK: K.KASAHARA 2007/05/18 APPR: NUKITA 2007/05/18	GENERAL TOLERANCES (UNLESS SPECIFIED)	DIMENSION STYLE MM ONLY	SCALE ---	DESIGN UNITS METRIC	THIRD ANGLE PROJECTION
	10 UNDER ± ---	DRAWN BY H. YAJIMA	DATE '06/08/21	TITLE RING TERMINAL	
	10 OVER 30 UNDER ± ---	CHECKED BY K. KASAHARA	DATE '06/08/21	MOLEX INCORPORATED	
	30 OVER ± ---	APPROVED BY N. UKITA	DATE '06/08/21	MATERIAL NO. SEE CHART	DOCUMENT NO. SD-50556-001
0	ANGULAR ± --- °	DRAFT WHERE APPLICABLE MUST REMAIN WITHIN DIMENSIONS		THIS DRAWING CONTAINS INFORMATION THAT IS PROPRIETARY TO MOLEX INCORPORATED AND SHOULD NOT BE USED WITHOUT WRITTEN PERMISSION	