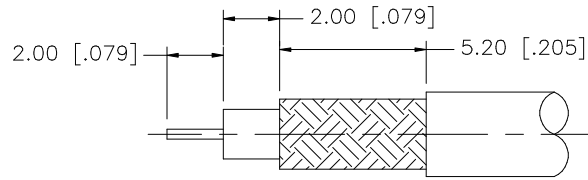
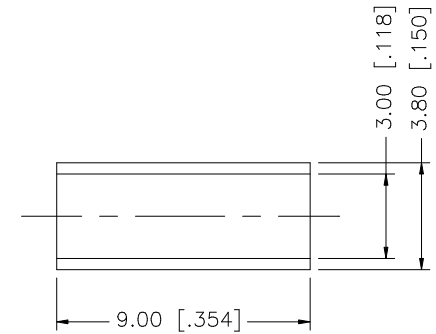
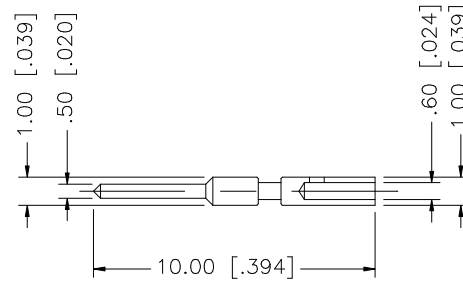
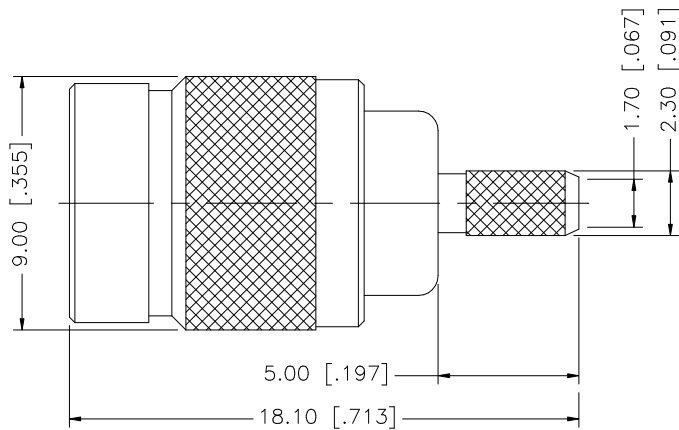


REV.	DATE	DESCRIPTION
NC	12/14/00	INITIAL RELEASE
A	10/19/06	UPDATE DRAWING FORMAT



RECOMMENDED CABLE STRIPPING DIM'S



CRIMP NOTES:

1. CRIMPED FERRULE  
HEX CRIMP SIZE .128"
2. CONTACT PIN TO SOLDER.

REV.	DATE	DESCRIPTION
8		
7		
6		
5		
4	FERRULE	COPPER
3	CONTACT PIN	BER. COPPER
2	INSULATOR	TEFLON
1	BODY	BRASS
	DESCRIPTION	MATERIAL
		FINISH
		QTY
UNLESS OTHERWISE SPECIFIED DIMENSIONS ARE IN MILLIMETERS. DIMENSIONS IN [ ] ARE IN INCHES AND FOR CUSTOMER REFERENCE ONLY.		
UNLESS OTHERWISE SPECIFIED TOLERANCES FOR MILLIMETERS ARE: 0.5 - 8mm ± 0.20mm 8 - 30mm ± 0.40mm 30 - 120mm ± 0.50mm		
UNLESS OTHERWISE SPECIFIED TOLERANCES FOR INCHES ARE: .020 - .315 = ± 0.007" .315 - 1.180 = ± 0.015" 1.180 - 4.724 = ± 0.020"		
DO NOT SCALE DRAWING		
APPROVALS		DATE
DRAWN G.R.S.		10/19/06
CHECKED		
ISSUED		
SHEET 1 OF 1		
CAD FILE C:/282/282103.DWG		
PART DESCRIPTION		
1.0/2.3 CRIMP PLUG (FOR RG-174/U, 188/U, 316/U CABLE)		
PART NO. 282103		
DWG. NO.	282103.DWG	REV. A
SIZE	A	SCALE NA

**Amphenol Connex**