

**PLEASE CHECK WWW.MOLEX.COM FOR LATEST PART INFORMATION**

**Part Number:** [0986581213](#)  
**Status:** **Active**  
**Overview:** [mox crimp terminals](#)  
**Description:** MOX Crimp Terminal, Female, 0.635mm (.025"), 20-24 AWG (0.22-0.50mm<sup>2</sup>);, Reel, Tin (Sn)

**Documents:**

[Packaging Specification \(PDF\)](#)      [Product Specification PS-98658-005 \(PDF\)](#)  
[Drawing \(PDF\)](#)      [RoHS Certificate of Compliance \(PDF\)](#)

**General**

Product Family	Crimp Terminals
Series	<a href="#">98658</a>
Comments	Terminal has Stainless Steel Sleeve
Crimp Quality Equipment	Yes
Overview	<a href="#">mox crimp terminals</a>
Product Name	MOX

**Physical**

Durability (mating cycles max)	20
Gender	Female
Material - Metal	Copper-Nickel-Silicon, Stainless Steel
Material - Plating Mating	Tin
Material - Plating Termination	Tin
Packaging Type	Reel
Plating min: Mating (µin)	40.00
Plating min: Mating (µm)	1.000
Plating min: Termination (µin)	40.00
Plating min: Termination (µm)	1.00
Termination Interface: Style	Crimp or Compression
Wire Insulation Diameter	1.20-1.50mm (.047-.059")
Wire Size AWG	N/A
Wire Size mm <sup>2</sup>	0.22 TO 0.50

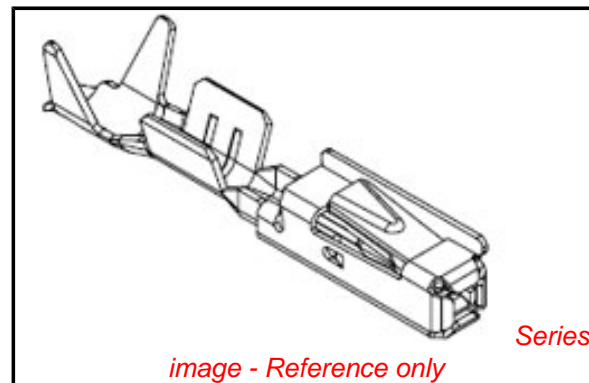
**Electrical**

Current - Maximum per Contact	7.5A
-------------------------------	------

**Material Info**

**Reference - Drawing Numbers**

Packaging Specification	PK-98658-006
Product Specification	PS-98658-005
Sales Drawing	SD-98658-004



**EU RoHS**

**ELV and RoHS Compliant**  
**REACH SVHC Contains SVHC: No**  
**Halogen-Free Status**

**China RoHS**



**Need more information on product environmental compliance?**

Email [productcompliance@molex.com](mailto:productcompliance@molex.com)  
 For a multiple part number RoHS Certificate of Compliance, [click here](#)

Please visit the [Contact Us](#) section for any non-product compliance questions.

**Search Parts in this Series**

[98658Series](#)

**Use With**

all 0.635mm (.025") MOX Housings

**Application Tooling | [FAQ](#)**

*Tooling specifications and manuals are found by selecting the products below. Crimp Height Specifications are then contained in the Application Tooling Specification document.*

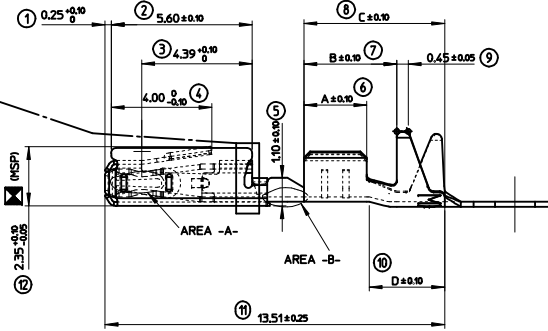
**Global**

Description	Product #
Extractor Tool for 2.8mm Crimp Terminals	<a href="#">0638136900</a>
Extractor Tool for 2.8mm Crimp Terminals	<a href="#">0638137000</a>
FineAdjust™ Applicator	<a href="#">0638666100</a>
Hand Crimp Tool	<a href="#">0638119300</a>
MOX Extraction Tool	<a href="#">0638132600</a>

This document was generated on 05/31/2010

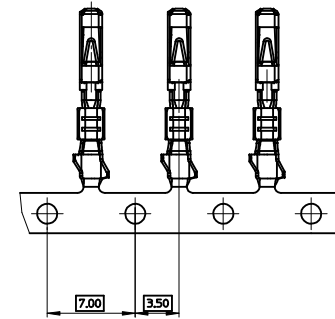
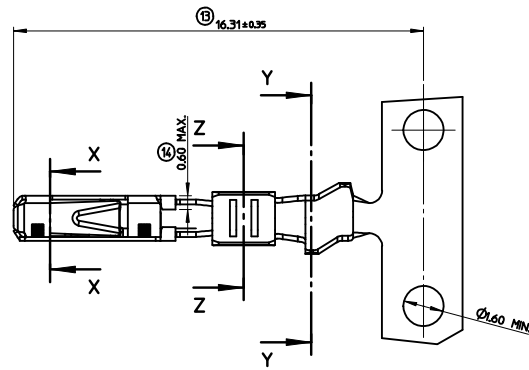
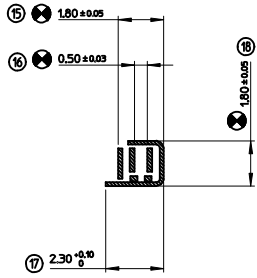
**PLEASE CHECK [WWW.MOLEX.COM](http://WWW.MOLEX.COM) FOR LATEST PART INFORMATION**

FORME ADMISE  
ALLOWED VERSION

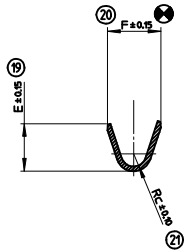


MOLEX REFERENCE	AREA -A- ( GAP AREA )	AREA -B-	CRIMP AREA	Wire size range	Longeure Length	Serrisage Wire Crimp	Conducteur Insulation Crimp	Serrisage Isolant Insulation Crimp	Poids Weight
TIN PLATED VERSION	096581211		HOT TIN DP Sn = 10 to 30 Hs						
GOLD PLATED VERSION	096581221	Au= 0.4 Hs MIN. Ni= 1.0 Hs MIN.		Sn = 10 to 5.0 Hs MIN. Ni = 1.0 Hs MIN.	0.22 to 0.60 mm2	A-250 B-370 C-560 D-300	E-190 F-240 Rc-050	G-290 H-280 Ri-080	
GOLD PLATED VERSION	096581231	Au= 0.4 Hs MIN. Ni= 1.0 Hs MIN.	Au= 0.4 Hs MIN. Ni= 1.0 Hs MIN.	Sn = 10 to 5.0 Hs MIN. Ni = 1.0 Hs MIN.					
TIN PLATED VERSION	096581212		HOT TIN DP Sn = 10 to 30 Hs						
GOLD PLATED VERSION	096581222	Au= 0.4 Hs MIN. Ni= 1.0 Hs MIN.		Sn = 10 to 5.0 Hs MIN. Ni = 1.0 Hs MIN.	0.75 mm2	A-280 B-370 C-560 D-270	E-225 F-225 Rc-050	G-290 H-280 Ri-080	0.6000 g
GOLD PLATED VERSION	096581232	Au= 0.4 Hs MIN. Ni= 1.0 Hs MIN.	Au= 0.4 Hs MIN. Ni= 1.0 Hs MIN.	Sn = 10 to 5.0 Hs MIN. Ni = 1.0 Hs MIN.					
TIN PLATED VERSION	096581213		HOT TIN DP Sn = 10 to 30 Hs						
GOLD PLATED VERSION	096581223	Au= 0.4 Hs MIN. Ni= 1.0 Hs MIN.		Sn = 10 to 5.0 Hs MIN. Ni = 1.0 Hs MIN.	0.22 to 0.50 mm2	A-250 B-370 C-560 D-300	E-180 F-180 Rc-040	G-290 H-290 Ri-070	
GOLD PLATED VERSION	096581233	Au= 0.4 Hs MIN. Ni= 1.0 Hs MIN.	Au= 0.4 Hs MIN. Ni= 1.0 Hs MIN.	Sn = 10 to 5.0 Hs MIN. Ni = 1.0 Hs MIN.					

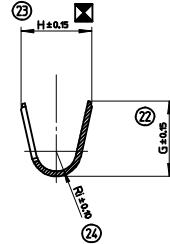
X-X



Z-Z



Y-Y



NOTE:

- MATERIAL: CONTACT BODY: HIGH CONDUCTIVE COPPER ALLOY.  
SLEEVE: STAINLESS STEEL.
- PACKAGING SPECIFICATION: PK-98658-006.
- CRIMPING PARAMETERS AND CRIMPING TOOL DEFINITION: SEE CS-98658-001.

INDICATION DIMENSIONS S.P.C  
DENOTES S.P.C DIMENSIONS  
 INDICATION DIMENSIONS DETERMINANT LES  
CAPABILITIES MACHINE  
DENOTES DIMENSIONS DETERMINING THE  
MACHINE'S ABILITIES  
 INDICATION DIMENSIONS FONCTIONNELLES  
DENOTES FUNCTIONAL DIMENSIONS  
 QUANTITE PAR FEUILLE INDIVIDUELLE  
QUANTITY PER INDIVIDUAL SHEET  
 - 2     - 4     - 0

CHANGED DR. E & F FOR 0.5 mmZ EC NO: GZ008-049Z DRAWING: GRANDCL CHKD: MANDRE APPR: LSTLEKER 2008/12/04 2008/12/02 2008/12/08	GENERAL TOLERANCES (UNLESS SPECIFIED) mm INCH 4 PLACES ± --- ± --- 3 PLACES ± --- ± --- 2 PLACES ± 0. ± --- 1 PLACE ± 0. ± --- ANGULAR ± 1/2°	DIMENSION STYLE MM ONLY DRAWN BY DATE JTAMSSON 1998/06/01 CHECKED BY DATE MANDRE 1999/10/14 APPROVED BY DATE CBOUCHAN 1999/10/14 MATERIAL NO.	SCALE 10:1 DESIGN UNITS METRIC FIRST ANGLE PROJECTION	TITLE MOX 0.63 TERMINAL RECEPTACLE TERMINAL GENERIC CONTROL DRAWING MOLEX INCORPORATED DOCUMENT NO. SD-98658-004	SHEET NO. 1 OF 1	
	DRAFT WHERE APPLICABLE MUST REMAIN WITHIN DIMENSIONS		SEE CHART THIS DRAWING CONTAINS INFORMATION THAT IS PROPRIETARY TO MOLEX INCORPORATED AND SHOULD NOT BE USED WITHOUT WRITTEN PERMISSION			